

## Insulated Solder Terminal

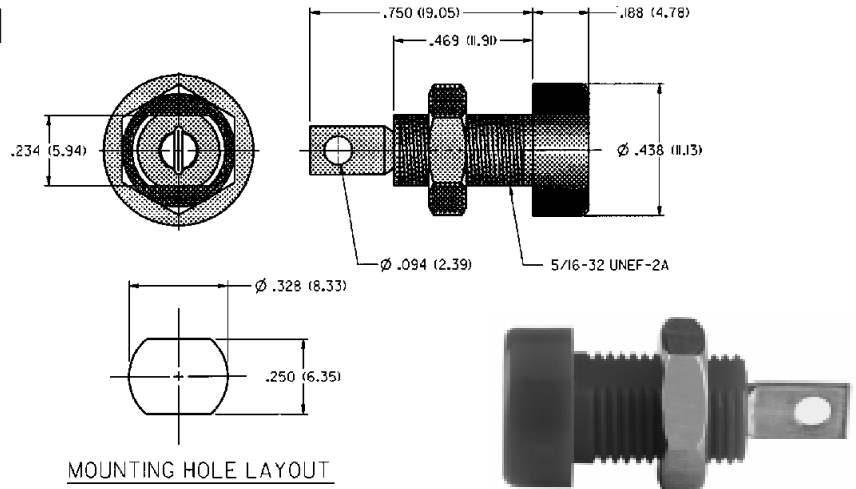
### SPECIFICATIONS

**Contact:** Formed brass per QQ-B-626D  
**Finish:** Bright tin  
**Body:** Nylon 6/6 per ASTM D4066  
**Hardware:** Nickel plated nut (unassembled)  
**Body Thread Stripping Torque:** 6.0 lb. in. (7kg. cm.)  
**Panel Thickness:** Up to .343 (8.80)

### RATINGS

**Current:** 15 amps  
**Breakdown Voltage:** 7000 Vrms minimum †  
**Contact Resistance:** 0.010 ohms maximum  
**Contact-To-Panel:** 2.4 pF nominal

BRIGHT TIN PLATING			
PART NO.	COLOR	PART NO.	COLOR
108-0901-001	White	108-0907-001	Yellow
108-0902-001	Red	108-0908-001	Brown
108-0903-001	Black	108-0910-001	Blue
108-0904-001	Green	108-0912-001	Violet
108-0906-001	Orange	108-0913-001	Gray



**For Standard Banana Plug: .175 (4.44) Across Flats**  
**FEATURES:**

- Keyed mounting with double flats
- Accepts up to 16 gauge wire
- Nylon UL approved for self extinguishing

## Insulated Pierced Lug Terminal

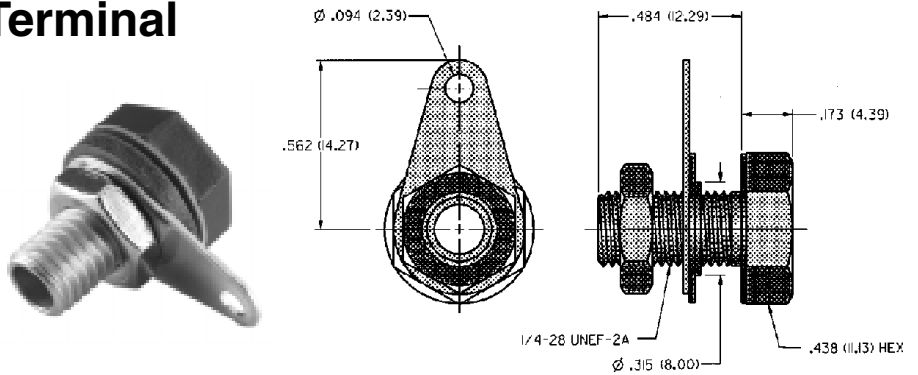
### SPECIFICATIONS

**Contact:** Brass per QQ-B-626D  
**Finish:** Nickel  
**Hex Head:** Molded phenolic  
**Hardware:** Nickel plated nut, fiber insulating washer and stamped tin plated solder terminal (unassembled)  
**Panel Thickness:** Up to .281 (7.15)

### RATINGS

**Current:** 15 amps  
**Breakdown Voltage:** 1500 Vrms minimum †  
**Contact Resistance:** 0.010 ohms maximum  
**Contact-To-Panel:** 2.4 pF nominal

NICKEL PLATING	
PART NO.	COLOR
108-0745-001	Red
108-0745-002	Black



**For Standard Banana Plug: .175 (4.44) Across Flats**  
**FEATURES:**

- Withstands extreme temperatures and abuse
- Stamped tin plated solder terminal with hole for up to 12 gauge wire
- Integrally molded hex head for fast installation

## Insulated In-Line Banana Jack

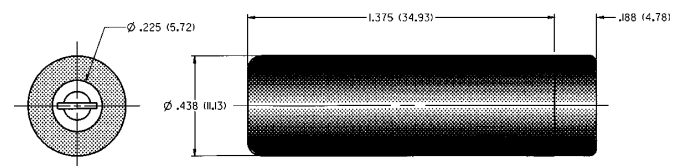
### SPECIFICATIONS

**Contact:** Formed brass per QQ-B-626D  
**Finish:** Bright Tin  
**Body:** Nylon 6/6 per ASTM D4066  
**Body Thread Stripping Torque:** 6.0 lb. in. (7kg cm)

### RATINGS

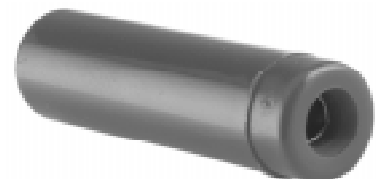
**Current:** 15 amps  
**Breakdown Voltage:** 7000 Vrms minimum †  
**Contact Resistance:** 0.010 ohms maximum  
**Contact-To-Panel:** 2.4 pF nominal

SILVER PLATING	
PART NO.	COLOR
108-0702-001	Red
108-0703-001	Black



**For Standard Banana Plug: .175 (4.44) Across Flats**  
**FEATURES:**

- Stamped contact with pierced solder terminal hole
- Nylon UL approved for self extinguishing
- Accepts wire sizes up to 16 gauge
- For in-line applications
- Includes banana jack 108-090x-001



† Avoid user injury due to misapplication. See safety advisory definitions on page 2.

## X-ON Electronics

Largest Supplier of Electrical and Electronic Components

*Click to view similar products for [Test Plugs & Test Jacks](#) category:*

*Click to view products by [Bel Fuse](#) manufacturer:*

Other Similar products are found below :

[01-2601-4-0210](#) [01-2601-4-0212](#) [01-2604-4-0212](#) [01-2604-5-0210](#) [01-2150-1-0312](#) [01-2350-1-02](#) [01-2352-1-02](#) [01-2368-1-02](#) [01-2604-4-0210](#) [01-2604-5-0212](#) [01-2606-4-0210](#) [01-2606-4-0212](#) [01-2606-5-0212](#) [M39024/10-01G](#) [M39024/10-17G](#) [M39024/11-09G](#) [M39024/11-42](#) [M39024/11-43](#) [M39024/12-08](#) [707-5311](#) [707-5402-01-19](#) [707-5410](#) [923739-40-I](#) [R644543000](#) [R948161000](#) [R999351000](#) [1408-4](#) [1499-101](#) [1533-1](#) [1659559](#) [1659567](#) [1663921](#) [1663939](#) [1696-102](#) [174-R825B-EX](#) [NYS508-BU](#) [NYS508-O](#) [211-101](#) [RS100GBL](#) [RS250GBL](#) [251-102](#) [25-2251-2-03](#) [25-2259-2-03](#) [923743-16-I](#) [923743-24-I](#) [923743-28-I](#) [2854-BLU](#) [2970-BLK](#) [30-443G](#) [1680](#)