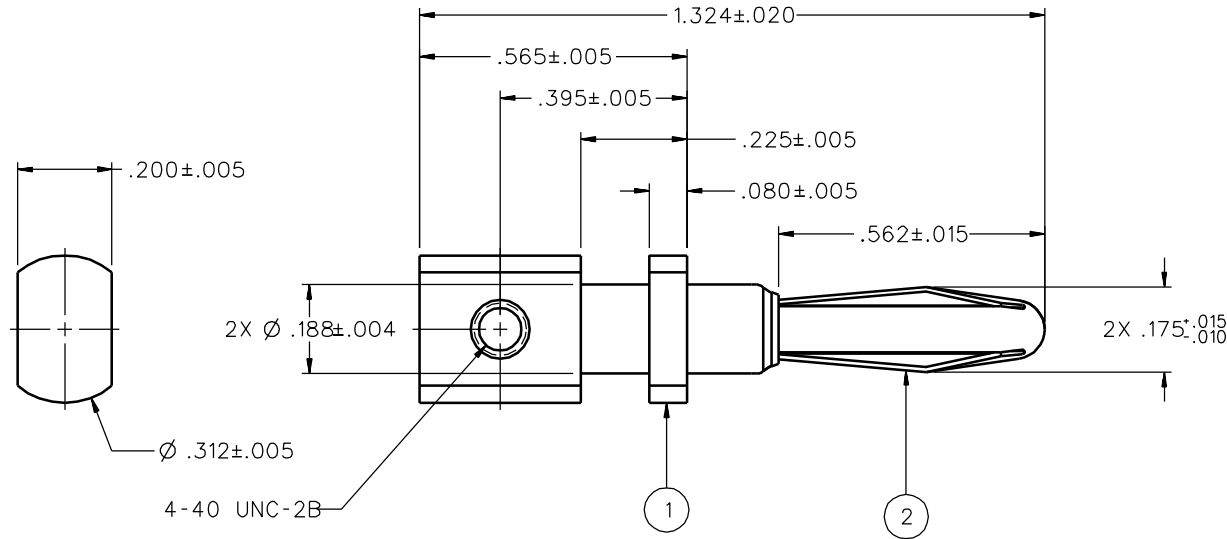


PART NUMBER	ITEM ① BODY	ITEM ② SPRING
108-0755-105	BRASS NICKEL PL .0003 MIN	NICKEL SILVER NICKEL PL .0003 MIN



NOTES:

1. SPECIFICATIONS:

ELECTRICAL:

CURRENT RATING: 15 AMPS DC MINIMUM
 DIELECTRIC WITHSTANDING VOLTAGE: NOT APPLICABLE
 RECOMMENDED WORKING VOLTAGE: NOT APPLICABLE
 INSULATION RESISTANCE: NOT APPLICABLE
 CONTACT RESISTANCE: 10 MILLIOHMS MAXIMUM

MECHANICAL:

INSERTION/WITHDRAWAL FORCE: 1.0 - 12.0 POUNDS
 CONTACT SPRING RETENTION FORCE: 10 POUNDS MINIMUM
 WIRE ACCEPTABILITY: NOT APPLICABLE
 WIRE ATTACHMENT: NOT APPLICABLE
 MATING BANANA JACK DIAMETER: .166 NOMINAL
 DURABILITY: 1000 CYCLES MINIMUM

ENVIRONMENTAL:

(MEETS OR EXCEEDS THE APPLICABLE PARAGRAPH OF MIL-C-28901)
 OPERATING TEMPERATURE: -55 DEG C TO 85 DEG C
 TEMPERATURE RISE AT RATED CURRENT: 10 DEG C MAXIMUM
 CORROSION: MIL-STD-1344, METHOD 1001, CONDITION B
 SHOCK: MIL-STD-1344, METHOD 2004, CONDITION G
 VIBRATION: MIL-STD-1344, METHOD 2005, CONDITION I
 HUMIDITY: MIL-STD-1344, METHOD 1002, CONDITION B

DRAWING NO.

B - 108-0755-105

0 REVISIONS

ENGINEERING RELEASE

5a	11-4-94	R	S	T	R	P	11-10-94
		H	W	A	J	B	ECN 42743

CHANGED: RETENTION FORCE: 10 POUNDS MINIMUM WAS 15 POUNDS MIN.

5b	8-8-95	R	D	R	P	8-10-95
		H	W	A	J	ECN 43615

VERSION UPDATE

5c	10-6-95	R	R			ECN 43731
		H	B			

CUSTOMER DRAWING

THIS DRAWING TO BE INTERPRETED PER ASME Y 14.5M - 1994

"μSTATION"

COMPANY CONFIDENTIAL

TOLERANCE UNLESS OTHERWISE SPECIFIED		DRAWN BY	DATE	Connectivity Solutions P.O. Box 1732 Waseca, MN 56093 1-800-247-8256
DECIMALS	mm	RSH	11-4-94	
.XX	_____	CHECKED BY	DATE	EMERSON Network Power
.XXX ±.003	_____	APPROVED BY	DATE	
MATL	_____	RELEASE DATE	11-10-94	TITLE
FINISH	_____	U/M	INCH	SCALE
			4:1	ASSEMBLY, BANANA PLUG, UNINSULATED, DOUBLE D BODY, THREADED CROSSHOLE
		SHEET	2 OF 2	DRAWING NO.
				B - 108-0755-105

X-ON Electronics

Largest Supplier of Electrical and Electronic Components

Click to view similar products for [Test Plugs & Test Jacks](#) category:

Click to view products by [Bel Fuse](#) manufacturer:

Other Similar products are found below :

[01-2601-4-0210](#) [01-2601-4-0212](#) [01-2604-4-0212](#) [01-2604-5-0210](#) [01-2150-1-0312](#) [01-2350-1-02](#) [01-2352-1-02](#) [01-2368-1-02](#) [01-2604-4-0210](#) [01-2604-5-0212](#) [01-2606-4-0210](#) [01-2606-4-0212](#) [01-2606-5-0212](#) [M39024/10-01G](#) [M39024/10-17G](#) [M39024/11-09G](#) [M39024/11-42](#) [M39024/11-43](#) [M39024/12-08](#) [707-5311](#) [707-5402-01-19](#) [707-5410](#) [923739-40-I](#) [R644543000](#) [R948161000](#) [R999351000](#) [1408-4](#) [1499-101](#) [1533-1](#) [1659559](#) [1659567](#) [1663921](#) [1663939](#) [1696-102](#) [174-R825B-EX](#) [NYS508-BU](#) [NYS508-O](#) [211-101](#) [RS100GBL](#) [RS250GBL](#) [251-102](#) [25-2251-2-03](#) [25-2259-2-03](#) [923743-16-I](#) [923743-24-I](#) [923743-28-I](#) [2854-BLU](#) [2970-BLK](#) [30-443G](#) [1680](#)