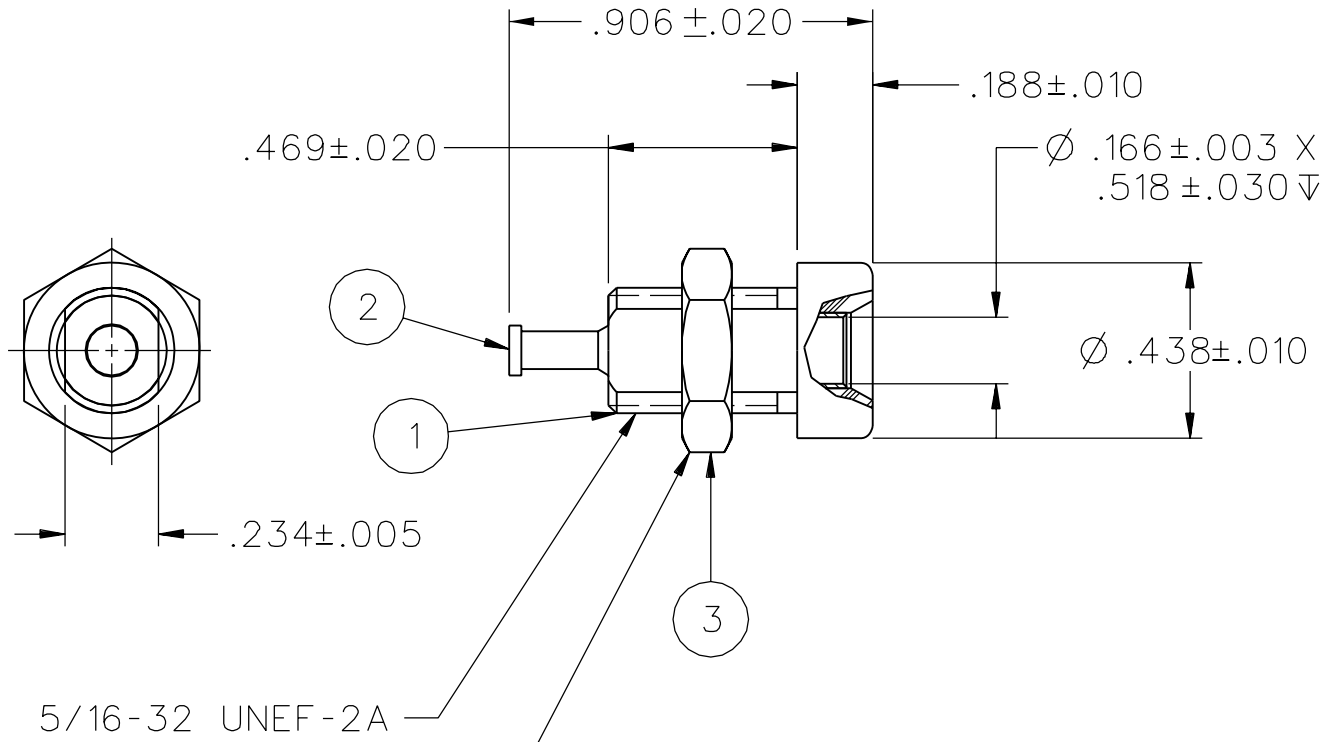


PART NUMBER	ITEM ①		ITEM ② CONTACT	ITEM ③ MOUNTING NUT
	BODY	COLOR		
108-2301-621	NYLON	WHITE	BRASS SILVER PL .0001 MIN OVER COPPER PL .00005 MIN	BRASS NICKEL PL .0001 MIN
108-2302-621		RED		
108-2303-621		BLACK		
108-2304-621		GREEN		
108-2305-621				
108-2306-621		ORANGE		
108-2307-621		YELLOW		
108-2308-621		BROWN		
108-2309-621				
108-2310-621		BLUE		
108-2311-621				
108-2312-621		VIOLET		
108-2313-621		GRAY		
108-2314-621				
108-2315-621				
108-2316-621				
108-2317-621				
108-2318-621				
108-2319-621				
108-2320-621				



DRAWING NO. 2301
B - 108-2320-621

0 REVISIONS

REVISED AND REDRAWN. DRAWING WAS PART OF "c" SIZE DRAWING # 108-2301-621/2320-640, SPLIT INTO 3 SEPERATE DRAWINGS

4a 11-10-97 R_H R_J B ECN 45113

NOTES:

SPECIFICATIONS:

ELECTRICAL:

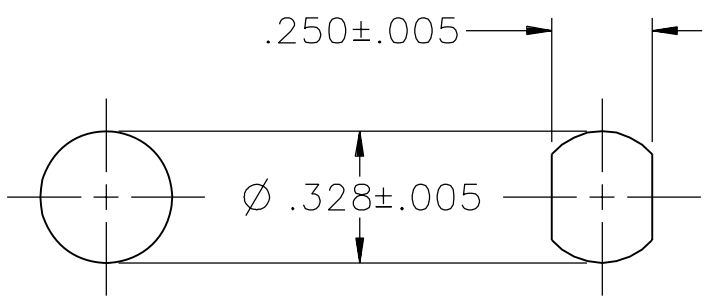
CURRENT RATING: 15 AMPS DC MINIMUM
 DIELECTRIC WITHSTANDING VOLTAGE: 7000 VRMS MINIMUM AT SEA LEVEL
 RECOMMENDED WORKING VOLTAGE: 3500 VRMS MAXIMUM AT SEA LEVEL
 INSULATION RESISTANCE: 5000 MEGOHMS MINIMUM
 CONTACT RESISTANCE: 10 MILLIOHMS MAXIMUM
 CAPACITANCE: 2.4 pF NOMINAL

MECHANICAL:

CONTACT RETENTION IN INSULATOR FORCE: 20 LBS MINIMUM
 CONTACT RETENTION IN INSULATOR TORQUE: 12 IN OZ MINIMUM
 INSULATOR RETENTION IN .062 PANEL FORCE: NOT APPLICABLE
 INSULATOR RETENTION IN .062 PANEL TORQUE: NOT APPLICABLE
 PLASTIC MOUNTING THREAD STRIPPING TORQUE: 6 IN LB MINIMUM
 WIRE ACCEPTABILITY: NOT APPLICABLE
 WIRE ATTACHMENT: NOT APPLICABLE
 MATING BANANA PLUG SPRING WIDTH: .175 NOMINAL
 DURABILITY: 1000 CYCLES MINIMUM

ENVIRONMENTAL:

(MEETS OR EXCEEDS THE APPLICABLE PARAGRAPH OF MIL-C-39024)
 OPERATING TEMPERATURE: -55 DEG C TO 85 DEG C
 TEMPERATURE RISE AT RATED CURRENT: 10 DEG C MAXIMUM
 CORROSION: MIL-STD-1344, METHOD 1001, CONDITION B
 SHOCK: MIL-STD-1344, METHOD 2004, CONDITION G
 VIBRATION: MIL-STD-1344, METHOD 2005, CONDITION I
 HUMIDITY: MIL-STD-1344, METHOD 1002, CONDITION B



MOUNTING HOLE OPTIONS

CUSTOMER DRAWING

THIS DRAWING TO BE INTERPRETED PER ASME Y 14.5M - 1994

"μSTATION"

COMPANY CONFIDENTIAL

TOLERANCE UNLESS OTHERWISE SPECIFIED	DRAWN BY RJB	DATE 9-20-97
DECIMALS .XX	CHECKED BY	DATE
mm _____		
.XXX ±.003	APPROVED BY RJB	DATE 11-11-97
MATL _____	RELEASE DATE (11-11-97)	
FINISH _____	U/M INCH	SCALE 2:1

EMERSON Network Power

Connectivity Solutions
 P.O. Box 1732
 Waseca, MN 56093
 1-800-247-8256

TITLE
 ASSEMBLY, BANANA JACK,
 INSULATED, THREADED PANEL
 MOUNT, TURRET TERMINAL

SHEET 2 OF 2
 DRAWING NO. 2301
 B - 108-2320-621

X-ON Electronics

Largest Supplier of Electrical and Electronic Components

Click to view similar products for [Test Plugs & Test Jacks](#) category:

Click to view products by [Bel Fuse](#) manufacturer:

Other Similar products are found below :

[01-2601-4-0210](#) [01-2601-4-0212](#) [01-2604-4-0212](#) [01-2604-5-0210](#) [01-2150-1-0312](#) [01-2350-1-02](#) [01-2352-1-02](#) [01-2368-1-02](#) [01-2604-4-0210](#) [01-2604-5-0212](#) [01-2606-4-0210](#) [01-2606-4-0212](#) [01-2606-5-0212](#) [M39024/10-01G](#) [M39024/10-17G](#) [M39024/11-09G](#) [M39024/11-42](#) [M39024/11-43](#) [M39024/12-08](#) [707-5311](#) [707-5402-01-19](#) [707-5410](#) [923739-40-I](#) [R644543000](#) [R948161000](#) [R999351000](#) [1408-4](#) [1499-101](#) [1533-1](#) [1659559](#) [1659567](#) [1663921](#) [1663939](#) [1696-102](#) [174-R825B-EX](#) [NYS508-BU](#) [NYS508-O](#) [211-101](#) [RS100GBL](#) [RS250GBL](#) [251-102](#) [25-2251-2-03](#) [25-2259-2-03](#) [923743-16-I](#) [923743-24-I](#) [923743-28-I](#) [2854-BLU](#) [2970-BLK](#) [30-443G](#) [1680](#)