

Insulated Miniature 2  
Insulated Standard 3  
Insulated Standard UL Type, W/Keyed Insulator 4  
Insulated Standard With Thumb Nut-Grounded Type 3  
Uninsulated With Knurled Thumb Nut-Grounded Type 2

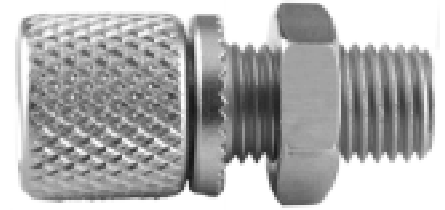
# Binding Posts

APPLICATION • Audio circuitry • RF circuitry



INCHES (MILLIMETERS)  
CUSTOMER DRAWINGS AVAILABLE UPON REQUEST

## Uninsulated With Knurled Thumb Nut-Grounded Type



### SPECIFICATIONS

**Stud:** Brass per QQ-B-626D

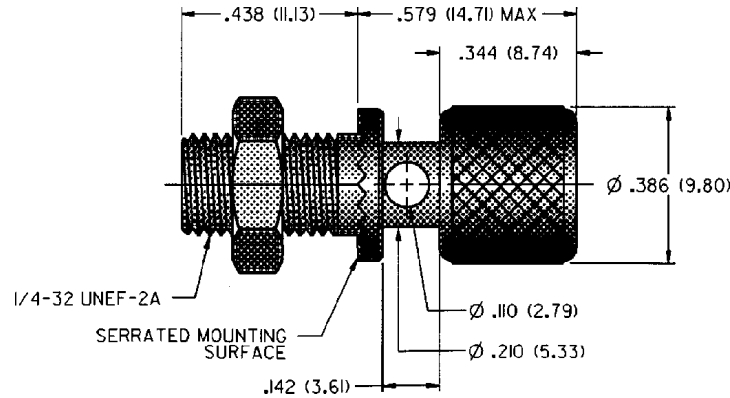
**Finish:** Nickel

**Hardware:** Nickel plated nut (unassembled)

**Panel Thickness:** Up to .281 (7.15)

### RATINGS

**Current:** 15 amps



|                       |  |
|-----------------------|--|
| <b>NICKEL PLATING</b> |  |
| <b>PART NO.</b>       |  |
| 111-2223-001          |  |

**For Standard Banana Plug: .175 (4.44) Across Flats**

### FEATURES:

- Nickel plated stud with serrated mounting surface prevents turning
- Captive thumb nut .110 (2.79) diameter cross-hole accommodates up to 10 gauge wire

## Insulated Miniature

### SPECIFICATIONS

**Stud:** Brass per QQ-B-626D

**Finish:** Silver

**Contact Spring:** Beryllium Copper  
per QQ-C-533

**Insulating Material:**

Nylon 6/6 per ASTM D4066

**Hardware:** Nickel plated nut (unassembled)

**Body Thread Stripping Torque:**

4.0 lb. in. (4.5 kg cm)

**Panel Thickness:** Up to .156 (3.95)

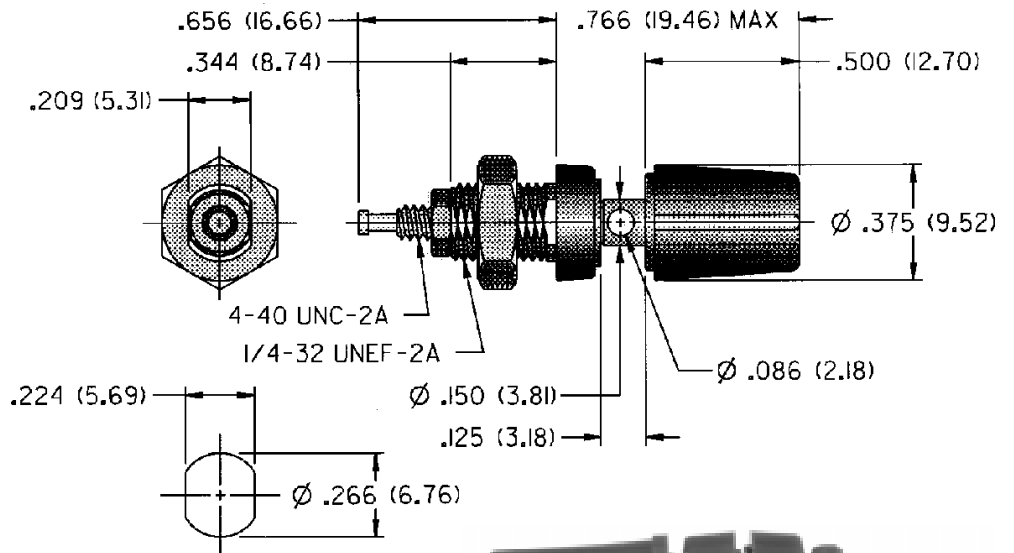
### RATINGS

**Current:** 5 amps

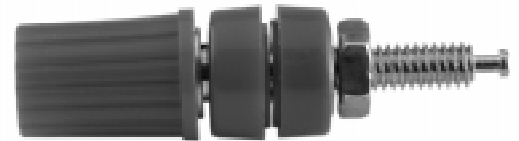
**Contact Resistance:** 0.010 ohms maximum

**Breakdown Voltage:** 3500 Vrms minimum†

**Stud-to-Panel:** 2.0 pF nominal



MOUNTING HOLE LAYOUT



|   |              |                 |              |
|---|--------------|-----------------|--------------|
| <b>SILVER PLATING</b>                             |              |                 |              |
| <b>ACCOMMODATES .080 (2.00) DIAMETER TIP PLUG</b> |              |                 |              |
| <b>PART NO.</b>                                   | <b>COLOR</b> | <b>PART NO.</b> | <b>COLOR</b> |
| 111-0202-001                                      | Red          | 111-0203-001    | Black        |

**For Standard Tip Plug: .080 (2.00) Diameter**

### FEATURES:

- Captive thumb nut
- Insulated body is flatted to prevent turning
- Nylon UL approved for self-extinguishing

† Avoid user injury due to misapplication. See safety advisory definitions on page 2.

## Insulated Standard

### SPECIFICATIONS

**Stud:** Brass per QQ-B-626D

**Finish:** Silver

**Insulating Material:** Nylon 6/6 per ASTM D4066

**Hardware:** Nickel plated nut (unassembled)

**Body Thread Stripping Torque:**  
6.0 lb. in. (7.0 kg cm)

**Panel Thickness:** Up to .281 (7.15)

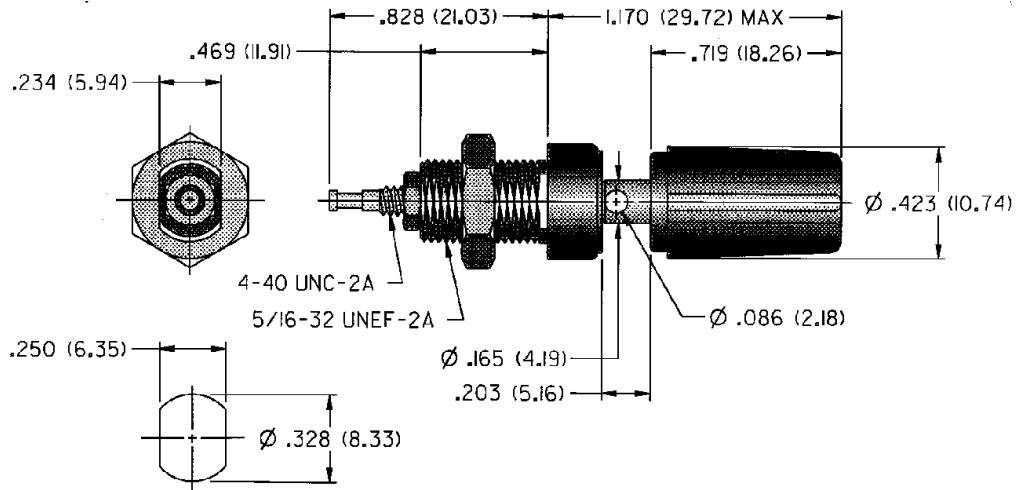
### RATINGS

**Current:** 15 amps

**Contact Resistance:** 0.010 ohms maximum

**Breakdown Voltage:** 5700 Vrms minimum †

**Stud-to-Panel:** 3.3 pF nominal



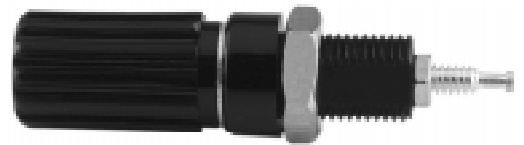
MOUNTING HOLE LAYOUT

| SILVER PLATING |        |              |        |
|----------------|--------|--------------|--------|
| PART NO.       | COLOR  | PART NO.     | COLOR  |
| 111-0101-001   | White  | 111-0107-001 | Yellow |
| 111-0102-001   | Red    | 111-0108-001 | Brown  |
| 111-0103-001   | Black  | 111-0110-001 | Blue   |
| 111-0104-001   | Green  | 111-0112-001 | Violet |
| 111-0106-001   | Orange | 111-0113-001 | Gray   |

**For Standard Banana Plug: .175 (4.44)**

### DIAMETER FEATURES:

- Turret terminal
- Captive thumb nut
- Insulated body is flatted to prevent turning
- Nylon UL approved for self-extinguishing



## Insulated Standard With Thumb Nut-Grounded Type

### SPECIFICATIONS

**Stud:** Brass per QQ-B-626D

**Finish:** Nickel

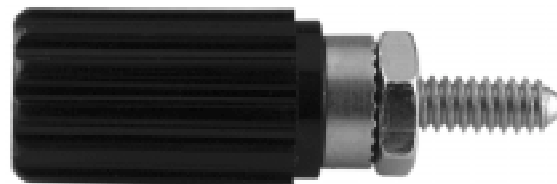
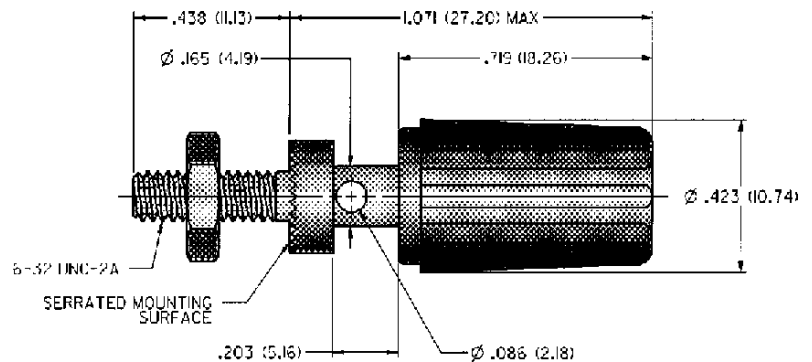
**Insulating Material:** Nylon 6/6 per ASTM D4066

**Hardware:** Nickel plated nut (unassembled)

**Panel Thickness:** Up to .313 (7.95)

### RATINGS

**Current:** 15 amps



| NICKEL PLATING |       |              |        |
|----------------|-------|--------------|--------|
| PART NO.       | COLOR | PART NO.     | COLOR  |
| 111-0701-001   | White | 111-0704-001 | Green  |
| 111-0702-001   | Red   | 111-0707-001 | Yellow |
| 111-0703-001   | Black | 111-0710-001 | Blue   |

**For Standard Banana Plug: .175 (4.44) Across Flats**

### FEATURES:

- Serrated mounting surface prevents turning
- Captivated thumb nut
- .094 (2.39) diameter cross-hole accommodates up to 12 gauge wire
- Nylon UL approved for self-extinguishing

† Avoid user injury due to misapplication. See safety advisory definitions on page 2.

# Binding Posts

APPLICATION • Audio circuitry • RF circuitry

## Insulated Standard UL Type, W/Keyed Insulator

### SPECIFICATIONS

**Stud:** Brass per QQ-B-626D

**Finish:** Gold or Bright tin

**Insulating Material:** Nylon 6/6 per ASTM D4066

**Hardware:** Gold plated nuts or bright tin plated nuts (unassembled)

**Panel Thickness:** Range from .062 (1.58) to .250 (6.35)

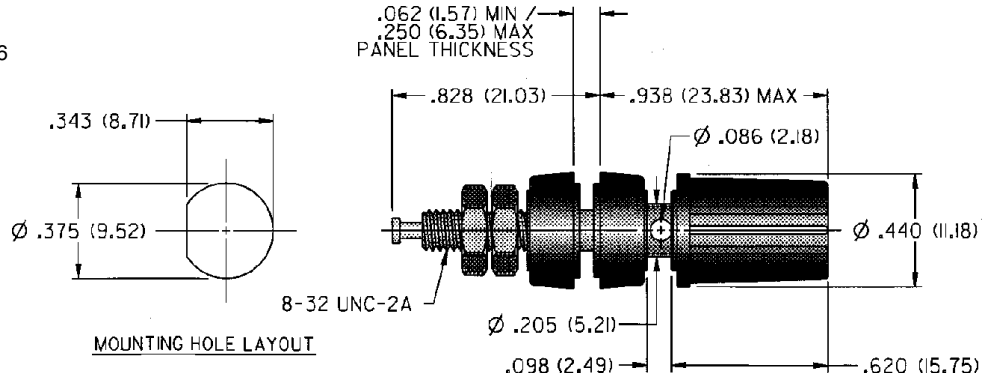
### RATINGS

**Current:** 15 amps

**Breakdown Voltage:** 1000 Vrms minimum†

**Stud-to-Panel:** 3.0 pF nominal

**Contact Resistance:** .010 ohms maximum

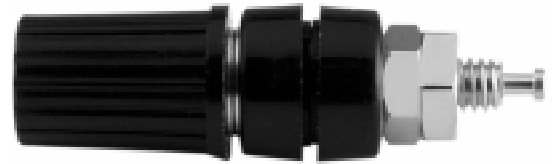


| GOLD PLATING |       |              |       |
|--------------|-------|--------------|-------|
| PART NO.     | COLOR | PART NO.     | COLOR |
| 111-0742-002 | Red   | 111-0743-002 | Black |

**For Standard Banana Plug:** .175 (4.44) Across Flats

### FEATURES:

- Keyed insulators prevent turning of installation
- Designed to meet UL-1244, IEC 348.P and 39.5-1974 specifications for distance of thumb to nut opening
- Nylon UL approved for self-extinguishing



† Avoid user injury due to misapplication. See safety advisory definitions on page 2.

## X-ON Electronics

Largest Supplier of Electrical and Electronic Components

*Click to view similar products for [Test Plugs & Test Jacks](#) category:*

*Click to view products by [Bel Fuse](#) manufacturer:*

Other Similar products are found below :

[01-2601-4-0210](#) [01-2601-4-0212](#) [01-2604-4-0212](#) [01-2604-5-0210](#) [01-2150-1-0312](#) [01-2350-1-02](#) [01-2352-1-02](#) [01-2368-1-02](#) [01-2604-4-0210](#) [01-2604-5-0212](#) [01-2606-4-0210](#) [01-2606-4-0212](#) [01-2606-5-0212](#) [M39024/10-01G](#) [M39024/10-17G](#) [M39024/11-09G](#) [M39024/11-42](#) [M39024/11-43](#) [M39024/12-08](#) [707-5311](#) [707-5402-01-19](#) [707-5410](#) [923739-40-I](#) [R644543000](#) [R948161000](#) [R999351000](#) [1408-4](#) [1499-101](#) [1533-1](#) [1659559](#) [1659567](#) [1663921](#) [1663939](#) [1696-102](#) [174-R825B-EX](#) [NYS508-BU](#) [NYS508-O](#) [211-101](#) [RS100GBL](#) [RS250GBL](#) [251-102](#) [25-2251-2-03](#) [25-2259-2-03](#) [923743-16-I](#) [923743-24-I](#) [923743-28-I](#) [2854-BLU](#) [2970-BLK](#) [30-443G](#) [1680](#)