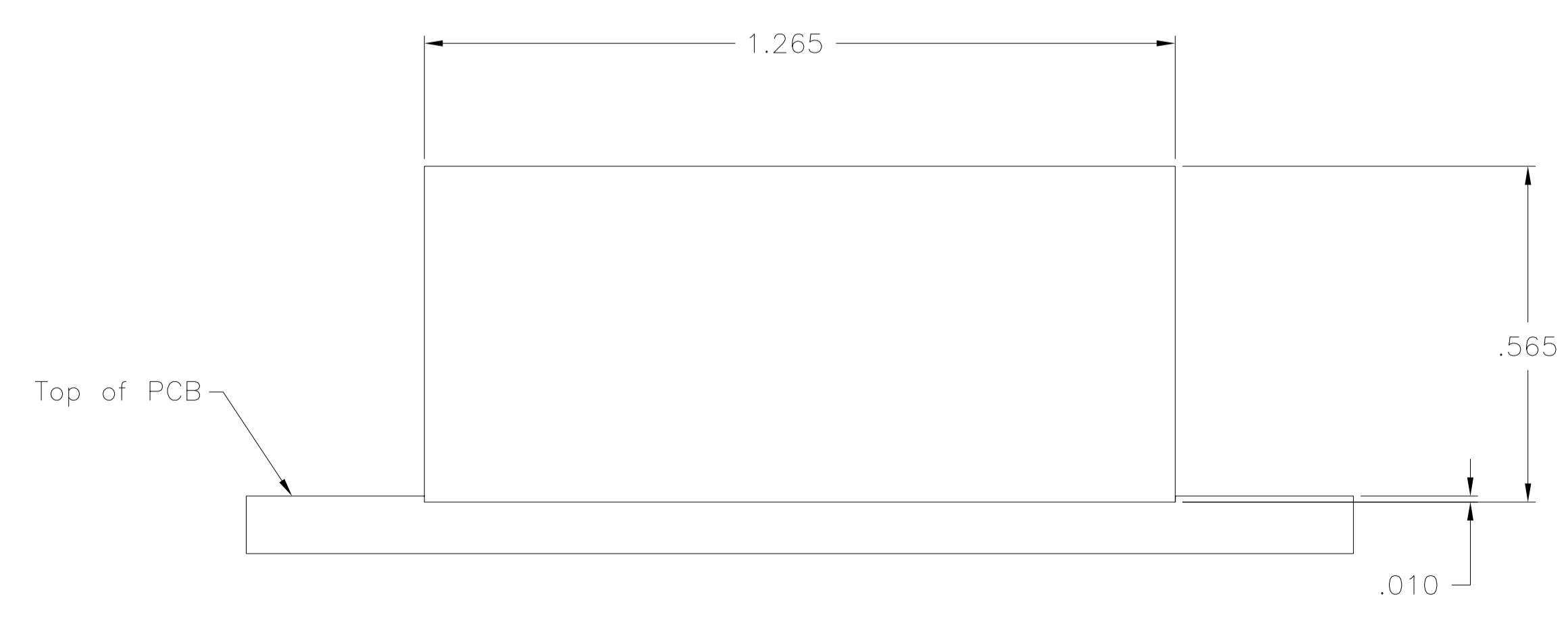
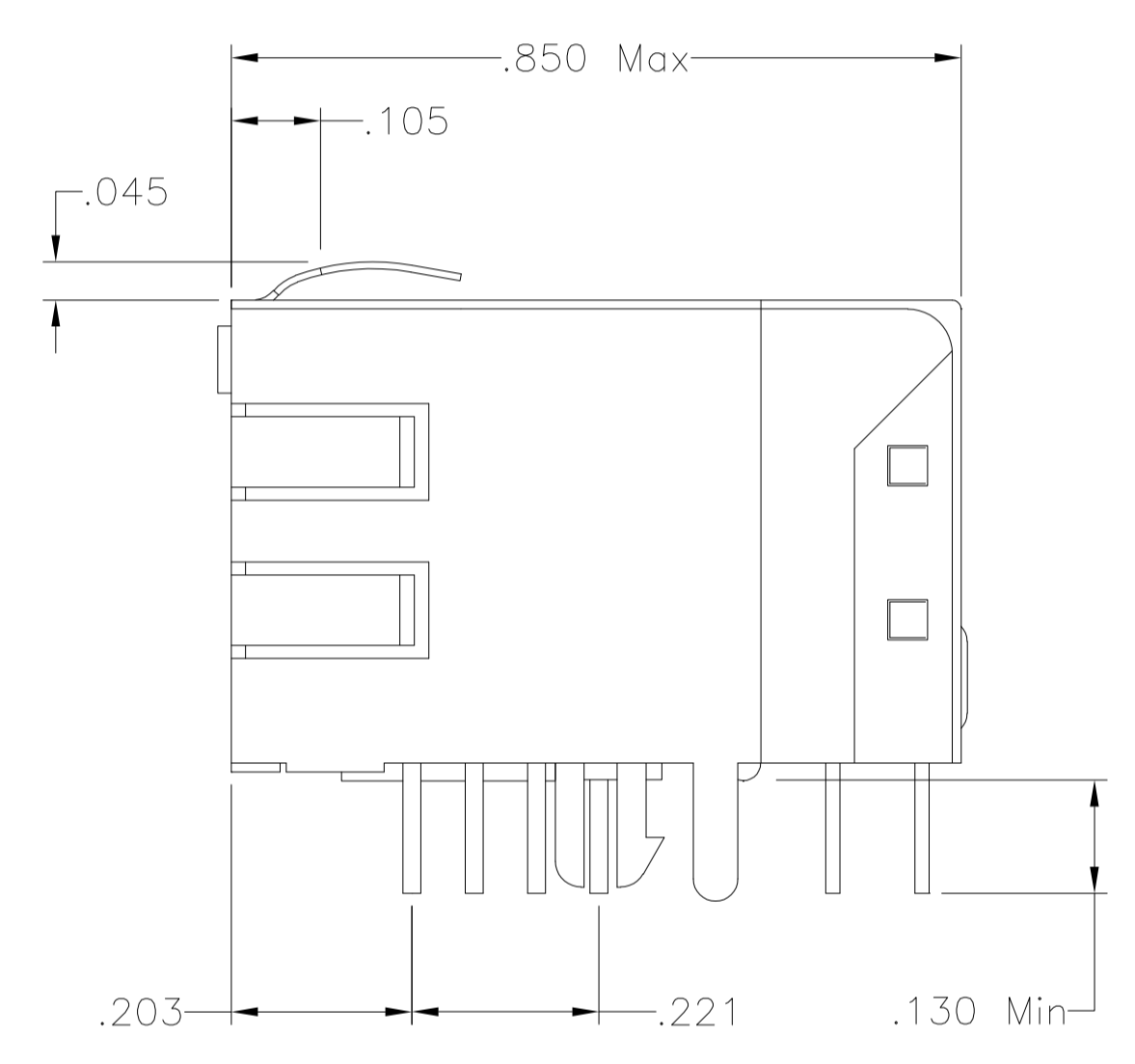
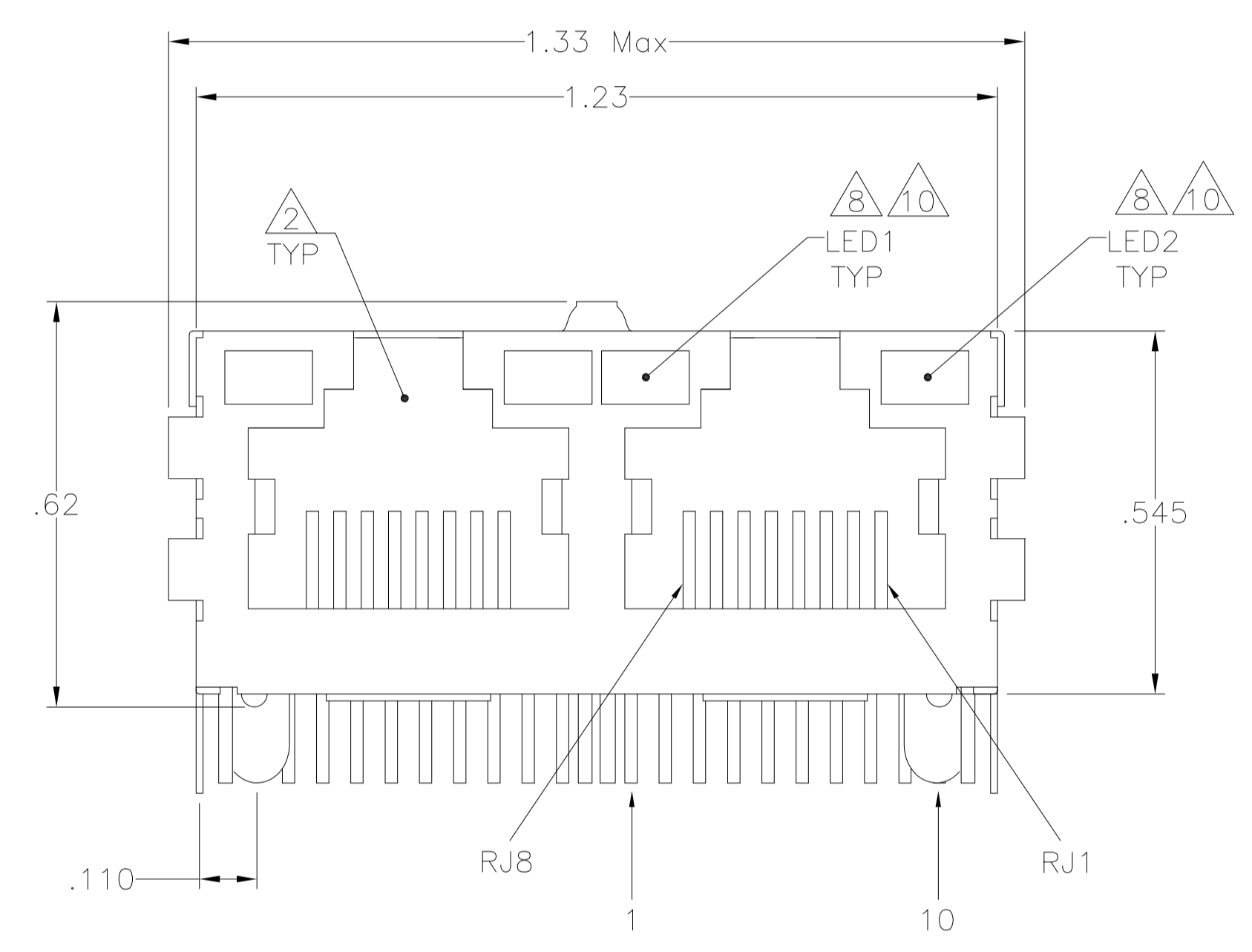
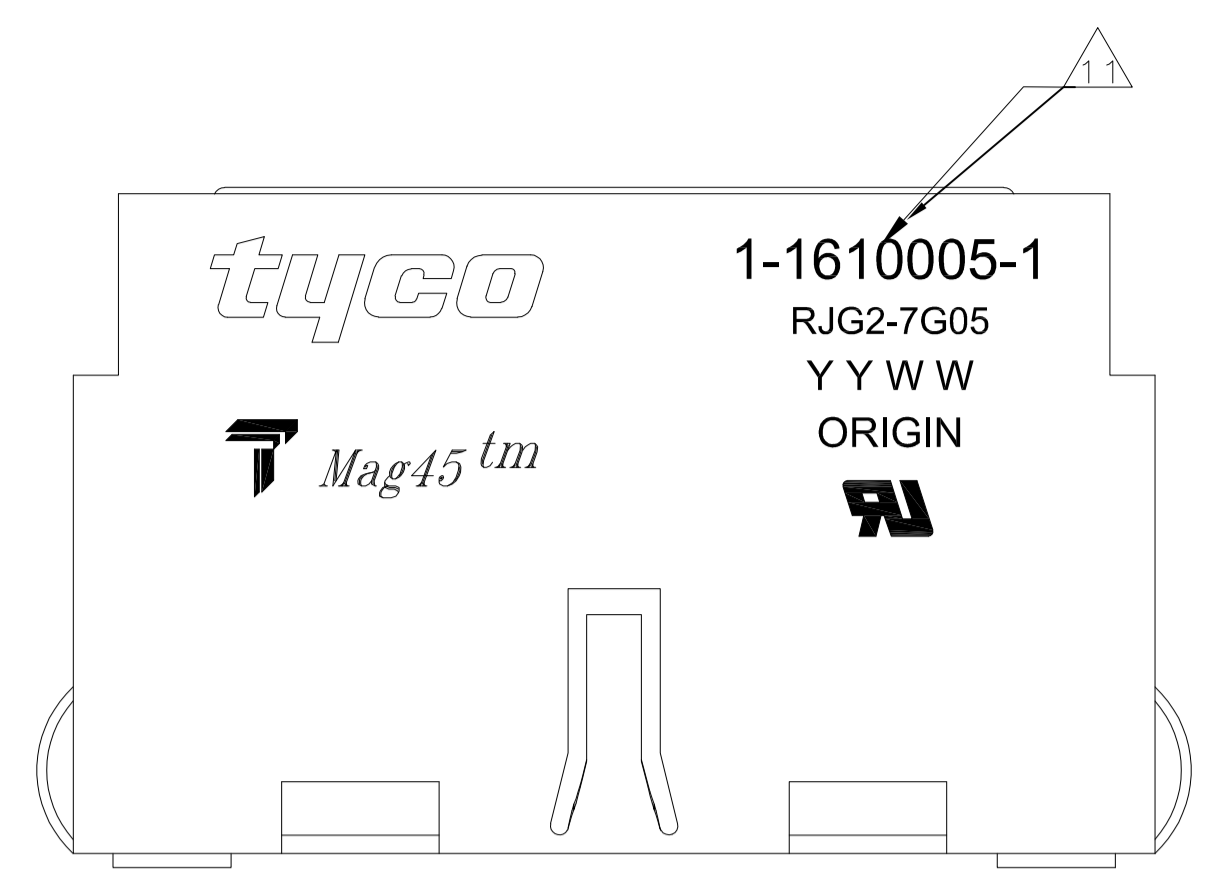


MECHANICAL:



1X2 SUGGESTED PANEL CUTOUT

LOC	DIST	REVISIONS					
AA	22	REV	PER	DESCRIPTION	DATE	DMN	APVD
		G	REV PER	ECO-05-006573	12SEPT05	RG	PD
		G1	REVISED PER	ECO-10-000444	15JAN10	KK	AEG

- MATERIALS:**
  - HOUSING - THERMOPLASTIC PET POLYESTER FLAMMABILITY RATING UL 94V-0.
  - SHIELD - .010" THICK, C26800 BRASS PREPLATED WITH 50μinch MIN SEMI-BRIGHT NICKEL; POST-DIPPED WITH 100μinch MIN TIN-LEAD.
  - MOD JACK CONTACTS - .0157" x .018", PHOSPHOR BRONZE, 50μinch MIN OVERALL NICKEL UNDERPLATE, WITH SELECT 50μinch MIN HARD GOLD FINISH PLATE. SOLDER TAILS WITH 100μinch MIN TIN-LEAD FINISH PLATE.
  - LIGHT EMITTING DIODE(LED) - DIFFUSED EPOXY LENS, .020" x .020" CARBON STEEL WIREFRAME LEADS PREPLATED WITH 90μinch SILVER OVER 40μinch NICKEL UNDERPLATE OVER 80μinch COPPER UNDERPLATE; POST-PLATED WITH 300μinch THICK TIN-LEAD.
- RJ45 JACK CAVITY CONFORMS TO FCC RULES AND REGULATIONS PART 68, SUB PART F.**
- MAGNETICS:**
  - IMPEDANCE: 100 OHMS
  - TRANSMIT OPEN CIRCUIT INDUCTANCE (OCL): 350μH (MIN) @100KHZ, 0.1VRMS WITH 8 mA DC BIAS
  - TURNS RATIO (CHIP: CABLE): TX: 1:1, RX: 1:1
- PERFORMANCE:**
  - TRANSMIT BIDIRECTIONAL ALL 4 PAIRS
  - RECEIVE BIDIRECTIONAL ALL 4 PAIRS

FREQUENCY	INSERTION LOSS	RETURN LOSS	CROSSTALK ATTENUATION	COMMON MODE REJECTION RATIO
.100 MHZ - .999 MHZ	1.0 dB (MAX)	18.0 dB (MIN)	43.0 dB (MIN)	46.0 dB (MIN)
1.0 MHZ - 15.0 MHZ	0.4 dB (MAX)	18.0 dB (MIN)	35.0 dB (MIN)	46.0 dB (MIN)
15.1 MHZ - 30.0 MHZ	0.6 dB (MAX)	16.0 dB (MIN)	26.0 dB (MIN)	46.0 dB (MIN)
30.1 MHZ - 60.0 MHZ	0.6 dB (MAX)	16.0 dB (MIN)	24.0 dB (MIN)	42.0 dB (MIN)
60.1 MHZ - 80.0 MHZ	1.1 dB (MAX)	15.0 dB (MIN)	24.0 dB (MIN)	42.0 dB (MIN)
80.1 MHZ - 100.0 MHZ	1.1 dB (MAX)	12.0 dB (MIN)	24.0 dB (MIN)	42.0 dB (MIN)

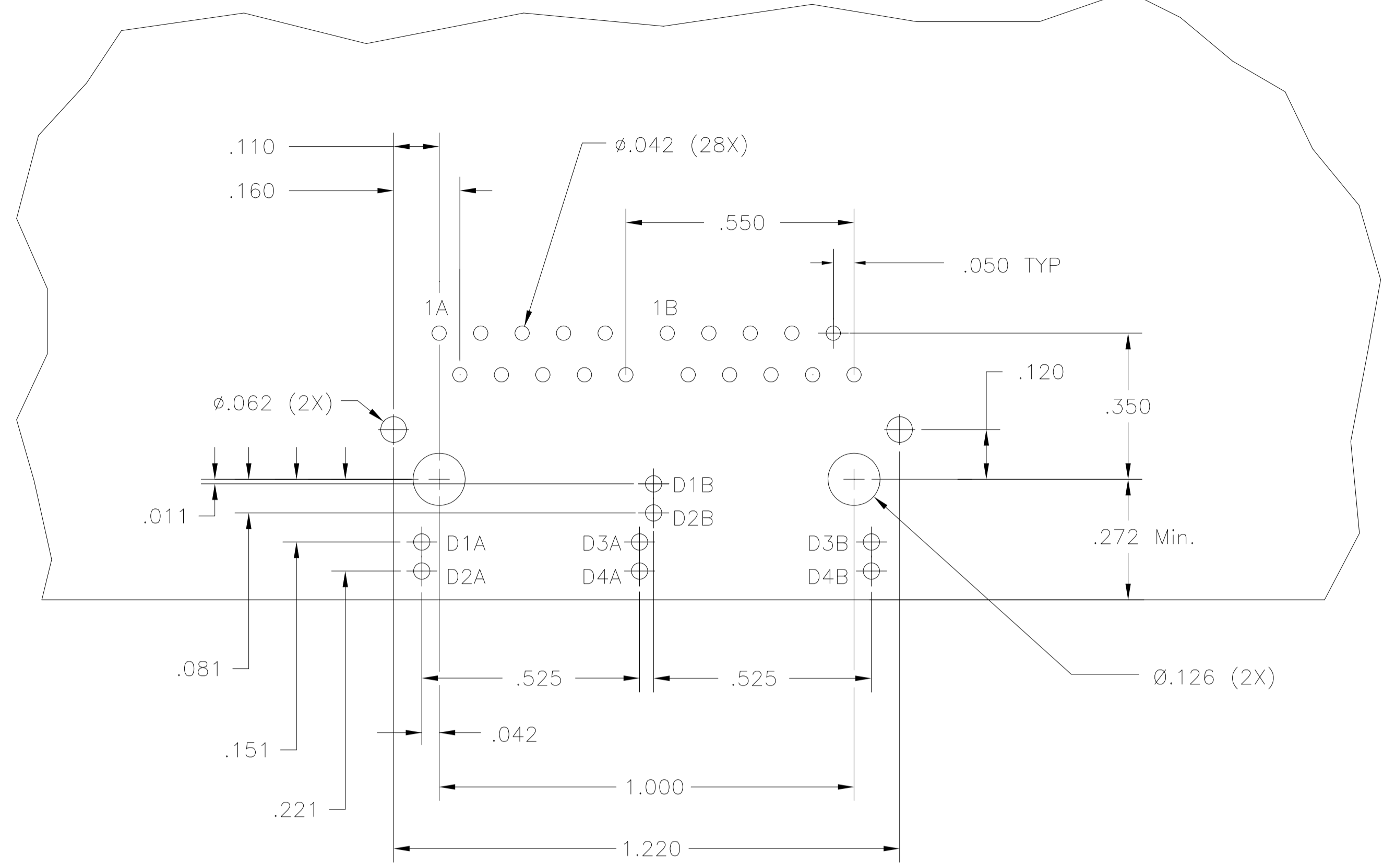
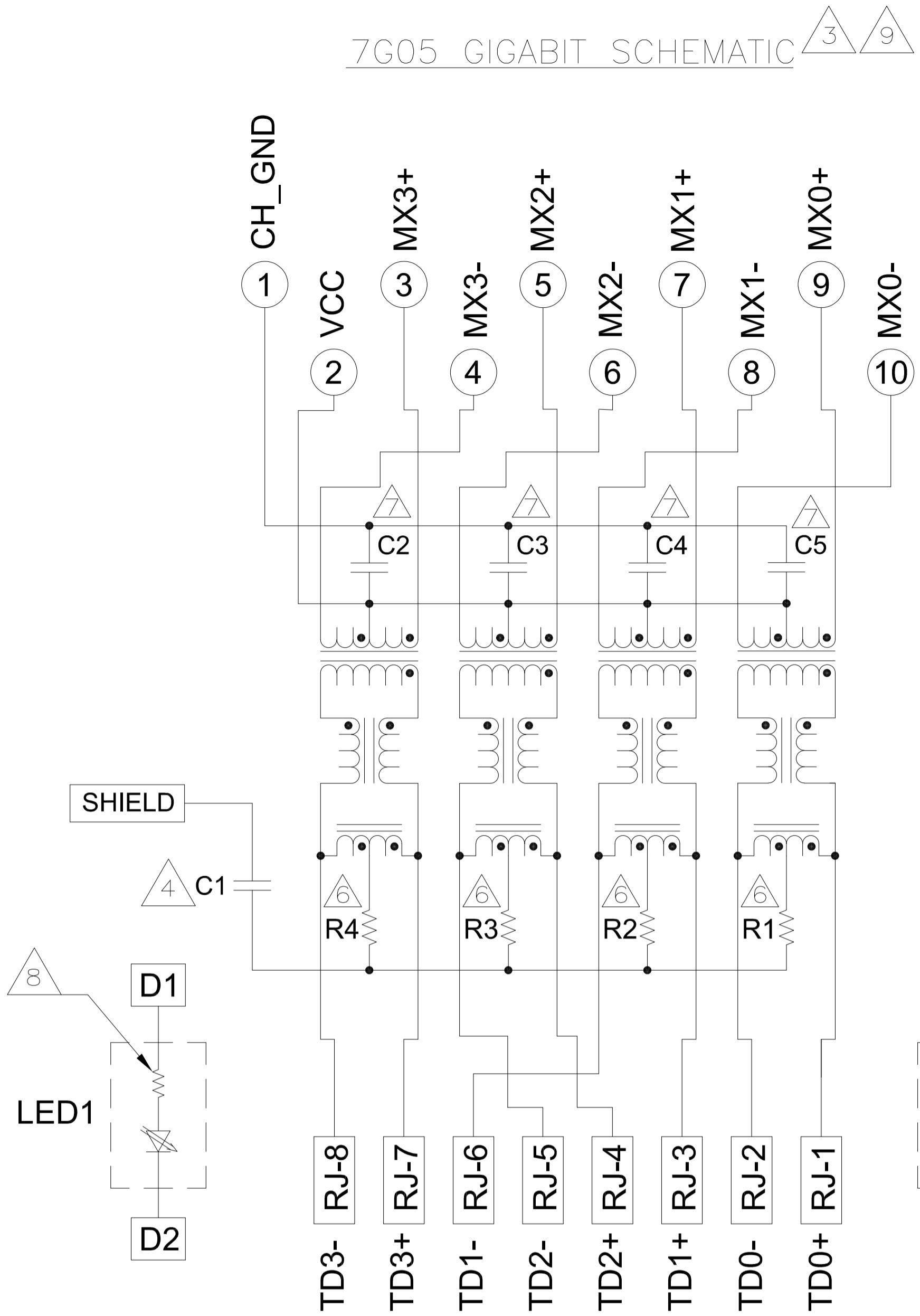
- DIELECTRIC (ISOLATION VOLTAGE):**
  - 2250 VDC (1 mA CUTOFF CURRENT) FOR 60 SECONDS DURATION
  - ALL BRIDGED ON EITHER SIDE OF MAGNETICS PACKAGE FOR RJ-45 CONTACTS.
  - OPERATING TEMPERATURE: FROM 0° - +70°C.
- C1 IS A 1000 pF, 2kV DECOUPLING CAPACITOR.**
- ALL DIMENSIONS NOMINAL UNLESS OTHERWISE NOTED.**
- R1-R4 = 75 OHMS, 1/16 W, 5%.**
- C2-C5 = 0.1μF, 10%, 50V, X7R.**
- LED COMPLIANT WITH IEC60825-1 SAFETY OF LASER PRODUCTS. WHEN OPERATED UP TO 20 mA. THE 250 OHM RESISTOR IS INCLUDED.**
- INDICATED MAGNETIC CONNECTIONS ARE SYMMETRICAL TO ACCOMMODATE CONNECTIONS FOR EITHER NIC OR HUB CONFIGURATION, OR SUPPORT AUTO-MDI/MDIX.**
- LED PEAK WAVELENGTH: GREEN(λ) = 565nm  
YELLOW(λ) = 585nm.**
- TRADEMARK, PART NUMBER, DATE CODE, COUNTRY OF ORIGIN AND AGENCY APPROVAL MARKING IN APPROXIMATE LOCATION AS SHOWN.**
- OBSOLETE PARTS: OBSOLETE CIS STREAMLINING PER D.RENAUD/D.SINISI**

OBSOLETE	GREEN	GREEN/YELLOW	1-1610005-5
	GREEN	GREEN	1-1610005-1
	GREEN/YELLOW	GREEN/YELLOW	1610005-6
	GREEN/YELLOW	GREEN	1610005-4
	YELLOW	GREEN	1610005-2
	LED1	LED2	PART NUMBER

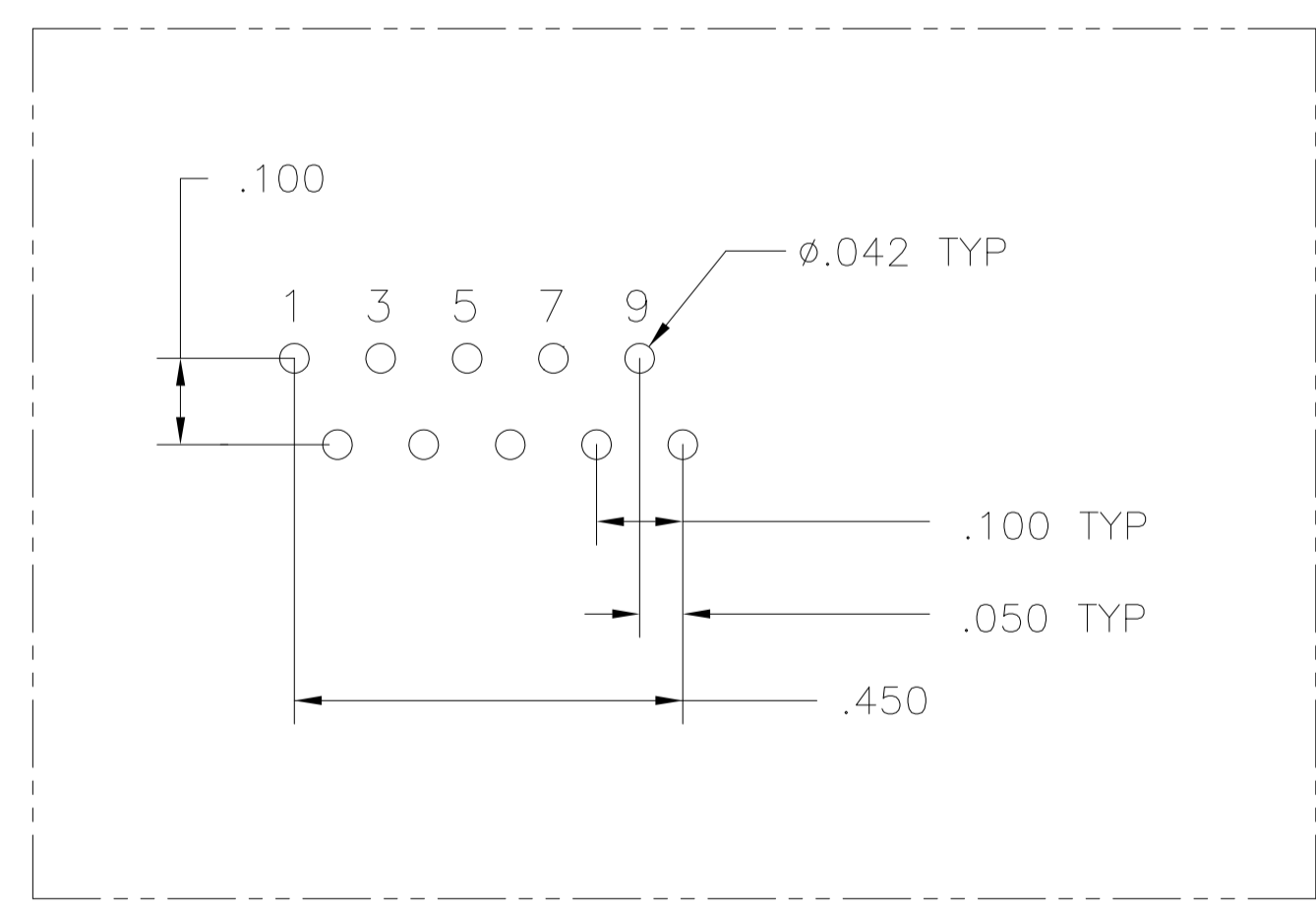
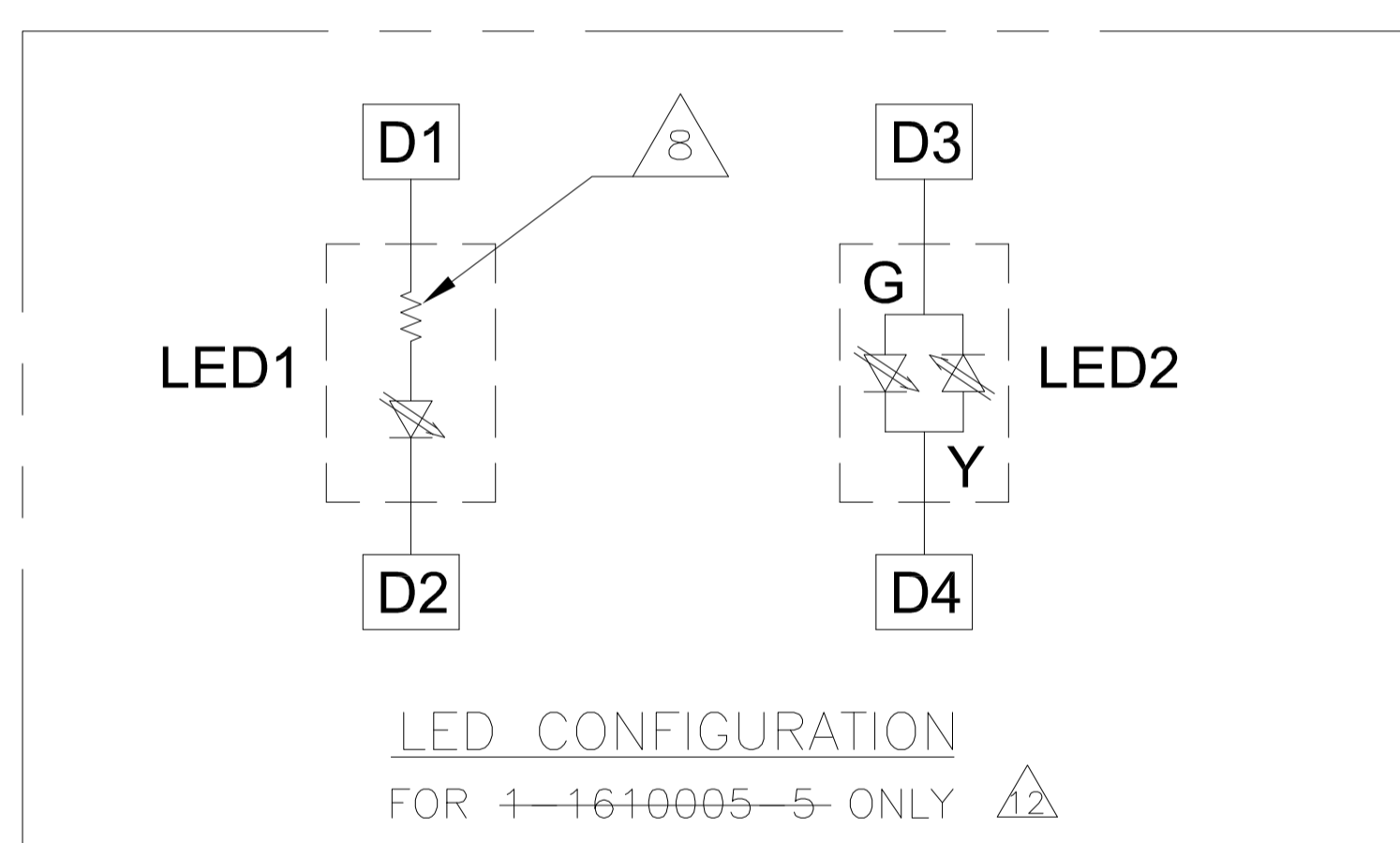
THIS DRAWING IS A CONTROLLED DOCUMENT.

DIMENSIONS: INCHES 0. PLC ± - 1. PLC ± - 2. PLC ± .010 3. PLC ± .005 4. PLC ± - ANGLES ± -	TOLERANCES UNLESS OTHERWISE SPECIFIED: 0. PLC ± - 1. PLC ± - 2. PLC ± .010 3. PLC ± .005 4. PLC ± - ANGLES ± -	DWN DL DRUMMOND 30JUL2002 CHK DL DRUMMOND 01AUG2002 APVD EC LAURER 01AUG2002 NAME: 1X2 MAG45(TM) MODULAR JACK, 7G4 SCHEMATIC (10 PIN HORIZONTAL), 05 SERIES GIGABIT CIRCUIT, SHIELDED, WITH LEADS PRODUCT SPEC 108-2100 APPLICATION SPEC SIZE: A1 CAGE CODE: 00779 DRAWING NO: 1610005 RESTRICTED TO: - WEIGHT: - CUSTOMER DRAWING	Tyco Electronics Corporation Harrisburg, Pa 17105-3608 Tyco Electronics SCALE: 1:1 SHEET: 1 OF 2 REV: G1
---	--	---	---

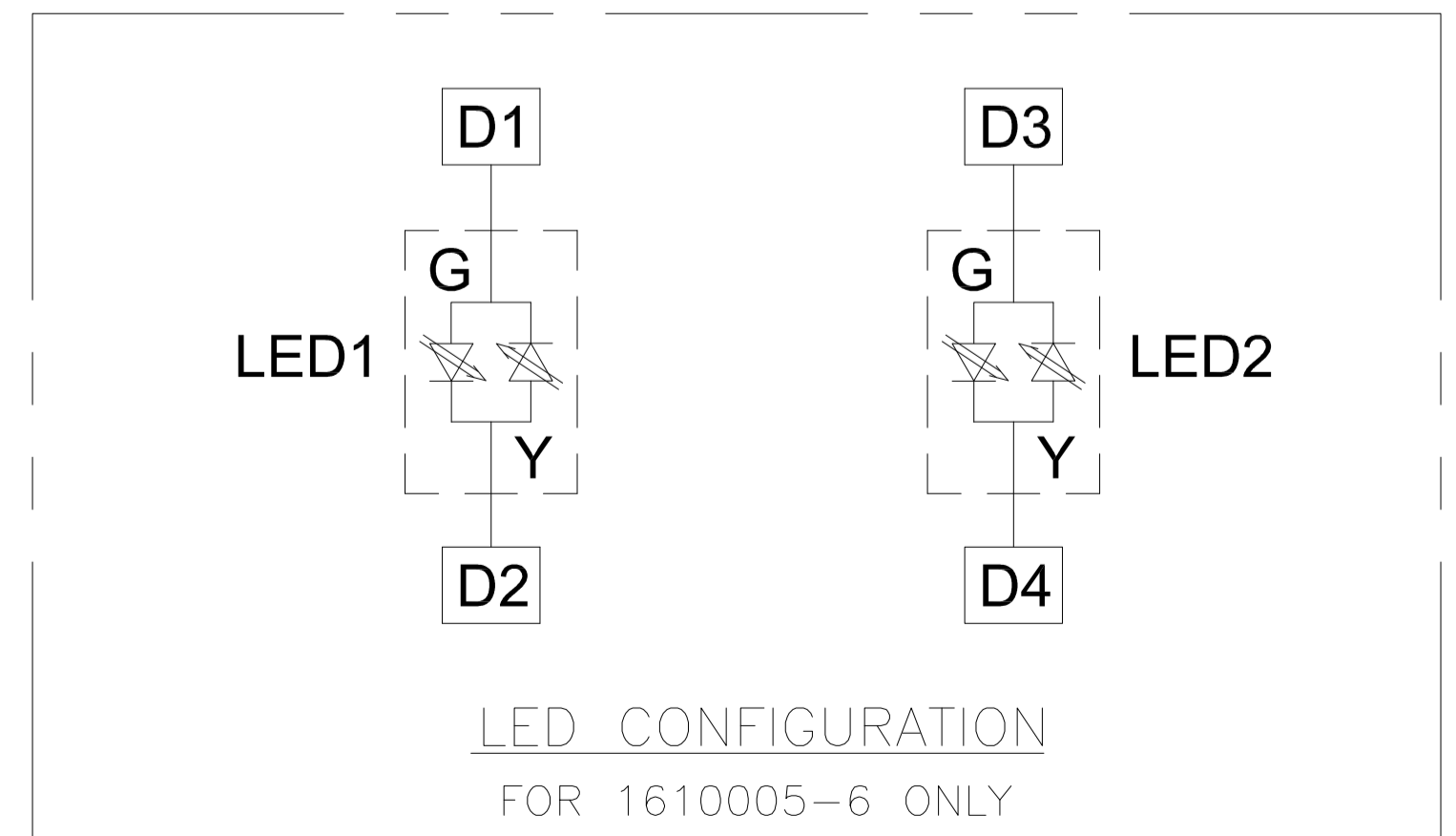
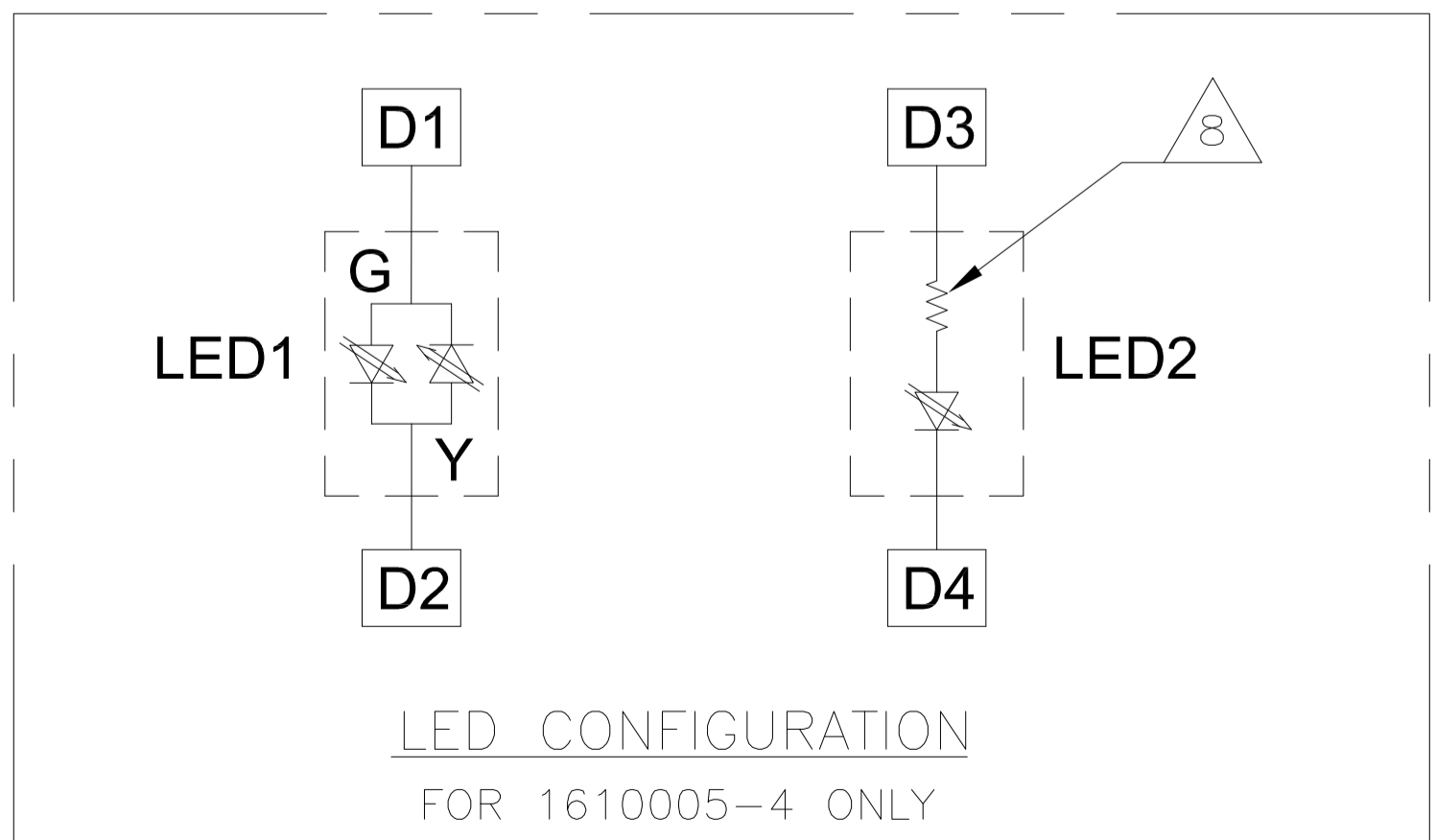
7G05 GIGABIT SCHEMATIC



SUGGESTED PCB LAYOUT  
(Component Side)



PIN DESIGNATIONS



THIS DRAWING IS A CONTROLLED DOCUMENT.		DIN DL DRUMMOND 30JUL2002		Tyco Electronics Corporation Harrisburg, Pa 17105-3608	
DIMENSIONS: INCHES		TOLERANCES UNLESS OTHERWISE SPECIFIED:		NAME: EC LAURER	
0. PLC ± -		1. PLC ± -		PRODUCT SPEC	
1. PLC ± -		2. PLC ± .010		108-2100	
2. PLC ± -		3. PLC ± .005		APPLICATION SPEC	
3. PLC ± -		4. PLC ± -		SIZE: A1	
4. PLC ± -		ANGLES ± -		CAGE CODE: 00779	
MATERIAL: -		FINISH: -		DRAWING NO: 1610005	
				CUSTOMER DRAWING	
				SCALE: 1:1	
				SHEET 2 OF 2	
				REV: G1	

## X-ON Electronics

Largest Supplier of Electrical and Electronic Components

*Click to view similar products for [Modular Connectors / Ethernet Connectors](#) category:*

*Click to view products by [Bel Fuse](#) manufacturer:*

Other Similar products are found below :

[8949-H88/06BLKA/SN](#) [74441-0010/BKN](#) [MP1010RX-1000](#) [MP44RX-1000](#) [PHJ-4P4C-1-V-4](#) [PHP-6P6C-5](#) [GAX-3-66](#) [GAX-8-62](#) [GDCX-PA-66-50](#) [GDCX-PN-64](#) [GDCX-PN-66](#) [GDCX-PN-66-50](#) [GDLX-A-66](#) [GDLX-N-66](#) [GDLX-S-66](#) [GDLX-S-88K](#) [GDLX-SMT-S-88](#) [GDTX-S-88-50](#) [GDX-PA-1010](#) [GLX-N-1010M-BLK](#) [GLX-S-88M-BLK](#) [GMX-N-1010](#) [GMX-S-1010](#) [GMX-S-66](#) [GMX-SMT4-N-88](#) [GPX-2-64](#) [GSGX-N-2-88](#) [GSGX-N-4-88](#) [GSX-NS2-88-3.05](#) [GSX-NS2-88-3.05-50](#) [GSX-NS-88-3.05-50](#) [PT-108A-8C-UL](#) [PT-J951-8C](#) [PTS-J531-8CS-50UL](#) [1-1775629-2](#) [A-2014-0-4](#) [GWLX-S-88-GR](#) [GWLX-S9-88-YG](#) [DC-1021-8-WH-6](#) [1300530003](#) [1324640-4](#) [RJ11FTVC2G](#) [RJ11FTVC2N](#) [RJFTVX2SA1G](#) [132764-001](#) [1413235](#) [MP88X-1000](#) [MPS88RX-5000](#) [E5288-S000K3-L](#) [E5908-15A242-L](#)