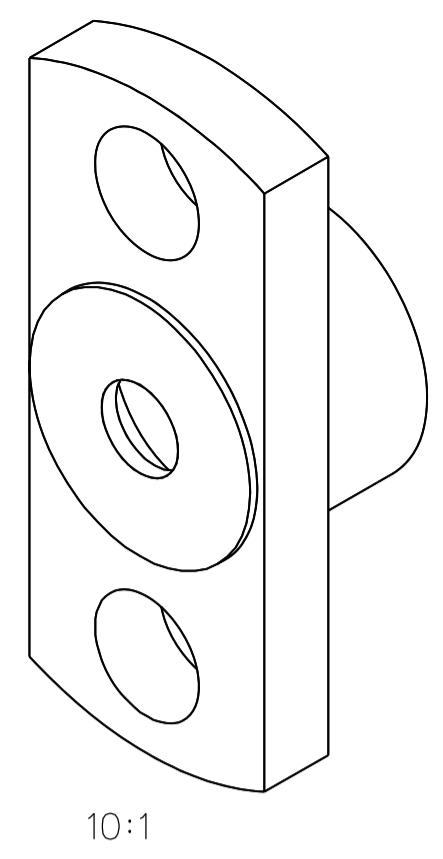
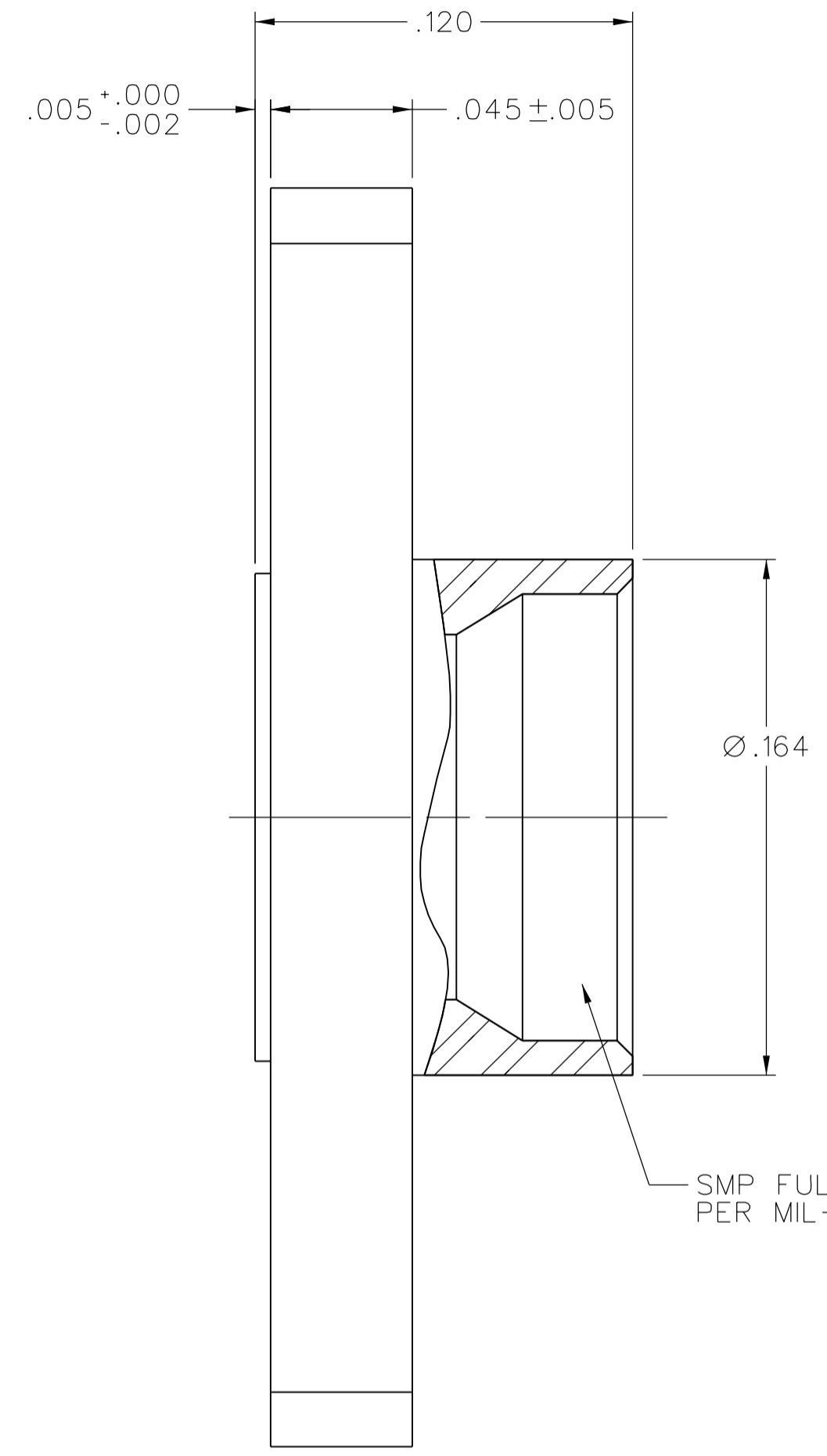
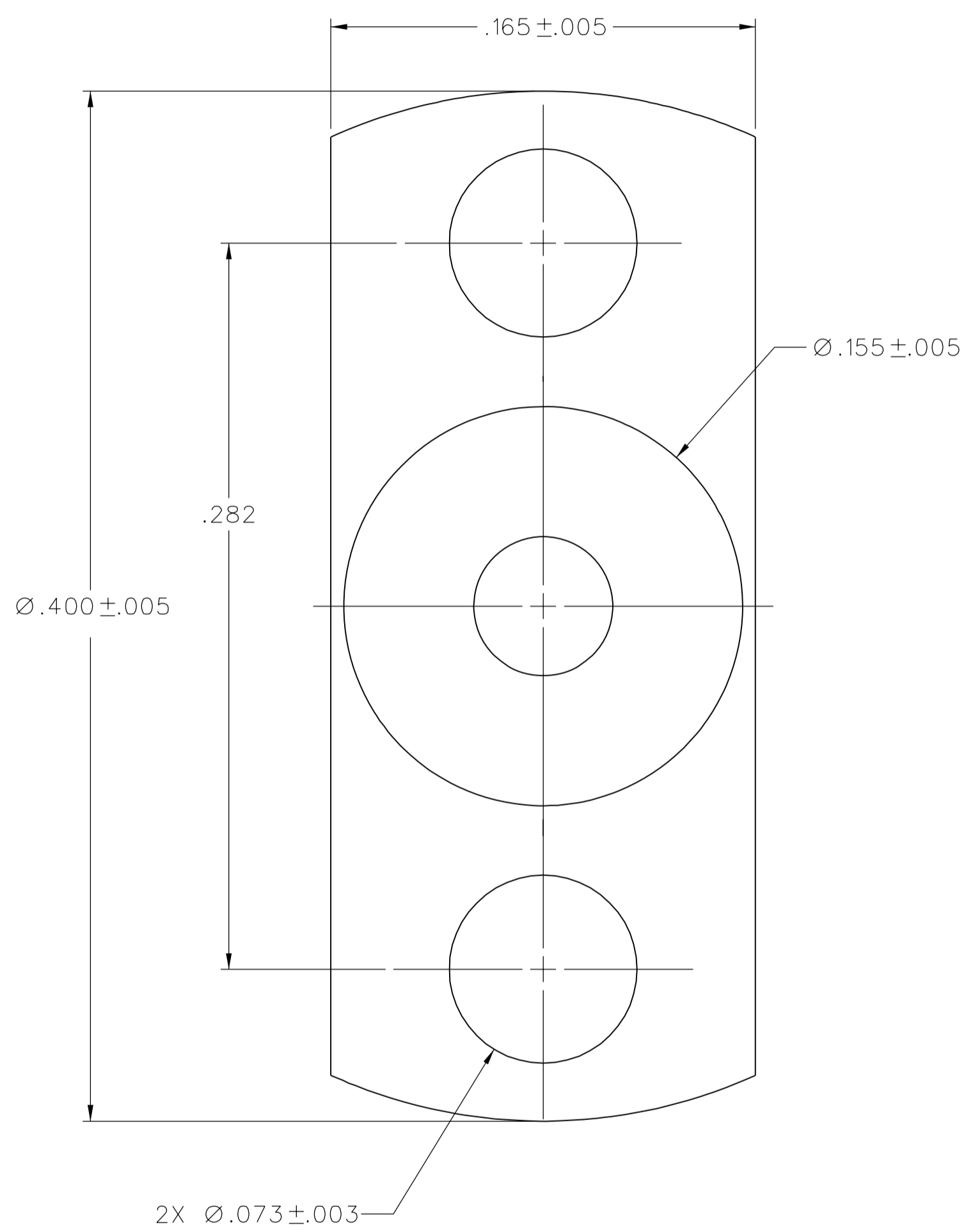


PART NUMBER	SHROUD MATERIAL
127-0701-602	STAINLESS STEEL PASSIVATED

DRAWING NO.		C - 127-0701-601/610	
0		REVISIONS	
ENGINEERING RELEASE			
1	1-10-07	PAT	2-17-07 ECN 50897
VERSION UPDATE			
***** * REVISION NUMBER FOLLOWED BY AN ALPHA * * CHARACTER INDICATES DRAWING CLARIFI- * * CATION OR PART NUMBER ADDITION ONLY. * *****			
1a	11-12-07	AT	11-13-07 ECN 51290



NOTES:


- SPECIFICATIONS:
  - INTERFACE DIMENSIONS: IN ACCORDANCE WITH MIL-STD-348A, SERIES SMP, FULL DETENT
  - CONTACT RESISTANCE: INITIAL 2.0 MILLIOHM MAX, AFTER ENVIRONMENTAL NOT APPLICABLE
  - MECHANICAL:
    - ENGAGEMENT FORCE: 15 POUNDS MAX
    - DISENGAGEMENT FORCE: 5 POUNDS MIN
    - DURABILITY: 100 CYCLES MIN
  - ENVIRONMENTAL:
    - (MEETS OR EXCEEDS THE APPLICABLE PARAGRAPH OF DSCC DWG NO. 94007)
    - OPERATING TEMPERATURE: -65°C TO 165°C
    - THERMAL SHOCK: MIL-STD-202, METHOD 107, CONDITION B, EXCEPT 165°C HIGH TEMP
    - CORROSION: MIL-STD-202, METHOD 101, CONDITION B
    - VIBRATION, HIGH FREQUENCY: MIL-STD-202, METHOD 204, CONDITION D
    - VIBRATION, RANDOM: MIL-STD-202, METHOD 214, CONDITION F

CUSTOMER DRAWING

THIS DRAWING TO BE INTERPRETED  
PER ASME Y 14.5M - 1994

"μSTATION"

COMPANY CONFIDENTIAL

TOLERANCE UNLESS OTHERWISE SPECIFIED		DRAWN BY	DATE	 <b>Cinch</b> CONNECTIVITY SOLUTIONS a bel group	<b>Cinch Connectivity Solutions</b> P.O. Box 1732 Waseca, MN 56093 1-800-247-8256
DECIMALS	mm	PAT	11-30-06		
.XX	_____	CHECKED BY	DATE	TITLE	
.XXX	REF _____	PDW	2-16-07	SMP FULL DETENT FLANGE MOUNT SHROUD	
MATL	_____	APPROVED BY	DATE	SHEET	DRAWING NO.
FINISH	_____	JRK	2-16-07		
		RELEASE DATE	2-17-07		
		U/M INCH	SCALE 20:1		

## X-ON Electronics

Largest Supplier of Electrical and Electronic Components

*Click to view similar products for [RF Connector Accessories](#) category:*

*Click to view products by [Bel Fuse](#) manufacturer:*

Other Similar products are found below :

[89674-0712](#) [F702RX24](#) [FERRULE-174](#) [R141802000](#) [R141805000](#) [R141842000](#) [R161862000](#) [R161862000W](#) [R280752000](#) [R280907000](#)  
[R694261906](#) [RFI21-13](#) [RFI75-13-D2](#) [RFI75-4-D2](#) [AX102906](#) [AX102907](#) [18097-0013](#) [HP-375](#) [HP-500](#) [2098-0294-00](#) [2098-3251-94](#) [KA-](#)  
[81-05](#) [89674-0805](#) [F1](#) [FERRULE-223](#) [202102-11](#) [213337-1](#) [220222-2](#) [24092671A](#) [24092678A](#) [R280468000](#) [R280510000](#) [R282862060](#)  
[RFI155-1](#) [RFI25-12-D3](#) [RFI25-5](#) [RFI25-5-D3](#) [RFI75-12-D2](#) [RFI75-2-D2](#) [RFI75-4-D3](#) [RFI77-6](#) [360HS001M2508M6](#) [4-1532137-4](#) [5-21085-](#)  
[0](#) [105274-1000](#) [111062-0490](#) [112122-SOD-LUG](#) [112-NUT-KNURL](#) [IPP-2014](#) [R280490020](#)