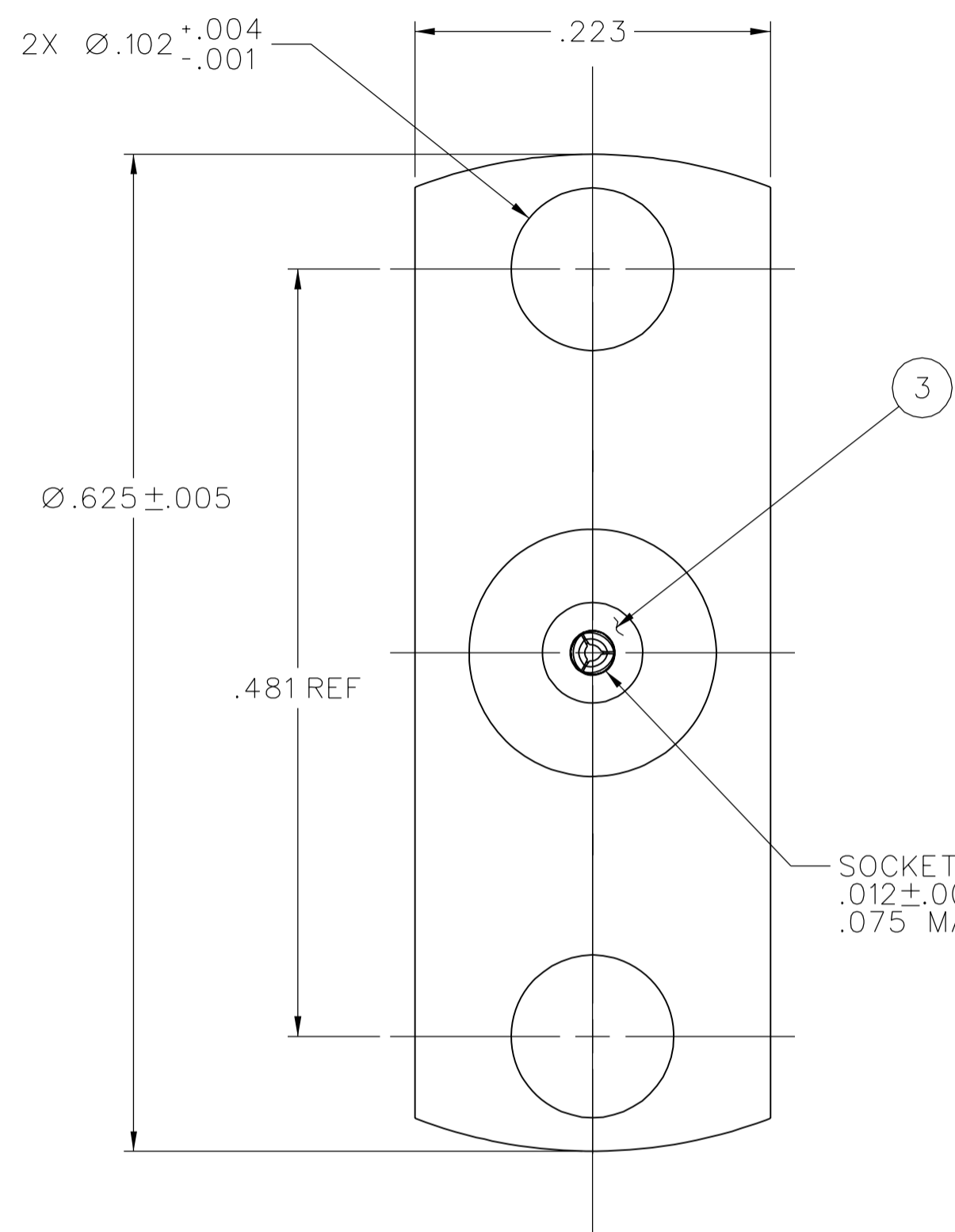
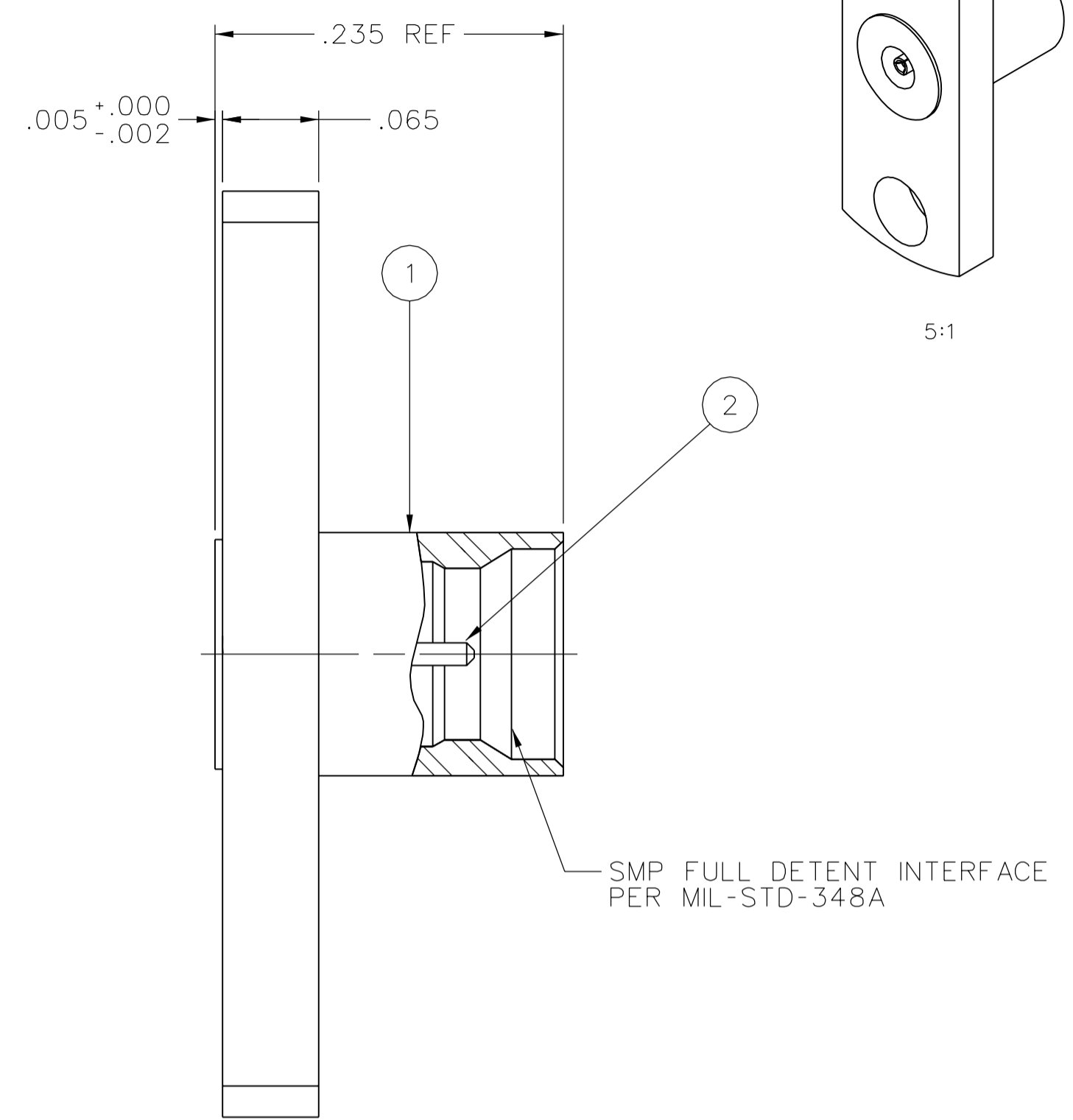


PART NUMBER 127-0701-612	ITEM ① BODY STAINLESS STEEL PASSIVATE	ITEM ② CONTACT BERYLLIUM COPPER GOLD PL .00005 MIN OVER NICKEL PL .00005 MIN OVER COPPER PL .00005 MIN	ITEM ③ INSULATOR TEFLON
-----------------------------	--	---	-------------------------------

DRAWING NO. C - 127-0701-611/620	
0	REVISIONS
ENGINEERING RELEASE	
1	6-20-07 PAT JRK MJD PDW JCN 6-21-07 ECN 51094



SOCKET SHALL ACCEPT  
.012±.001 DIA PIN  
.075 MAX DEPTH



SMP FULL DETENT INTERFACE  
PER MIL-STD-348A


NOTES:

1. SPECIFICATIONS:
- IMPEDENCE: 50 OHMS NOMINAL
  - FREQUENCY RANGE: 0-18 GHz
  - VSWR: DEPENDANT UPON APPLICATION, TYPICALLY < 1.15
  - WORKING VOLTAGE: 335 VRMS MAX AT SEA LEVEL
  - DIELECTRIC WITHSTANDING VOLTAGE: 500 VRMS MIN AT SEA LEVEL
  - INSULATION RESISTANCE: 5000 MEGOHM MIN
  - CONTACT RESISTANCE:
    - CENTER CONTACT - INITIAL 6.0 MILLIOHM MAX, AFTER ENVIRONMENTAL NOT APPLICABLE
    - OUTER CONDUCTOR - INITIAL 2.0 MILLIOHM MAX, AFTER ENVIRONMENTAL NOT APPLICABLE
  - INSERTION LOSS:  $0.10\sqrt{F}$  (GHz) dB MAX, TESTED AT 10 GHz
  - CORONA LEVEL: 190 VOLTS MIN AT 70,000 FEET
  - RF LEAKAGE: -80 dB TYPICAL, TESTED AT 2.5 GHz
  - RF HIGH POTENTIAL WITHSTANDING VOLTAGE: 325 VRMS MIN AT 4 AND 7 MHz
- MECHANICAL:
- INTERFACE DESIGN: IN ACCORDANCE WITH MIL-STD-348A, SERIES SMP
  - ENGAGEMENT FORCE: 15.0 LBS MAX
  - DISENGAGEMENT FORCE: 5.0 LBS MIN
  - CONTACT RETENTION: 1.5 LBS MIN AXIAL FORCE
  - DURABILITY: 100 CYCLES MIN (SMP INTERFACE ONLY)
- ENVIRONMENTAL:
- (MEETS OR EXCEEDS THE APPLICABLE PARAGRAPH OF DSCC DWG NO. 94007)
- OPERATING TEMPERATURE: -65°C TO 165°C
  - THERMAL SHOCK: MIL-STD-202, METHOD 107, CONDITION B, EXCEPT 165°C HIGH TEMP
  - MECHANICAL SHOCK: MIL-STD-202, METHOD 213, CONDITION I
  - CORROSION: MIL-STD-202, METHOD 101, CONDITION B
  - VIBRATION: MIL-STD-202, METHOD 204, CONDITION D
  - MOISTURE RESISTANCE: MIL-STD-202, METHOD 106, EXCEPT STEP 7B OMITTED

THIS DRAWING TO BE INTERPRETED  
PER ASME Y 14.5M - 1994

"μSTATION"

COMPANY CONFIDENTIAL

TOLERANCE UNLESS OTHERWISE SPECIFIED		DRAWN BY PAT	DATE 4-9-07	 <b>Cinch</b> CONNECTIVITY SOLUTIONS a bel group	Cinch Connectivity Solutions P.O. Box 1732 Waseca, MN 56093 1-800-247-8256	
DECIMALS	mm	CHECKED BY JRK	DATE 6-20-07		TITLE SMP FULL DETENT FIELD REPLACEABLE	
.XX	_____	APPROVED BY PDW	DATE 6-21-07	SHEET 2 OF 2		
.XXX ±.003	_____	RELEASE DATE	6-21-07	DRAWING NO. C - 127-0701-611/620		
MATL	_____	U/M	INCH	SCALE	10:1	
FINISH	_____					

## X-ON Electronics

Largest Supplier of Electrical and Electronic Components

*Click to view similar products for [RF Connectors / Coaxial Connectors](#) category:*

*Click to view products by [Bel Fuse](#) manufacturer:*

Other Similar products are found below :

[8915-1511-000](#) [89674-0827](#) [6001-7071-019](#) [6002-7051-003](#) [6002-7551-202](#) [6059674-1](#) [619550-1](#) [630059-000](#) [M39030/3-01N](#) [6500-7071-046](#) [6769](#) [CX050L2AQ](#) [7002-1541-010](#) [7002-1542-011](#) [7004-1512-000](#) [7009-1511-004](#) [7010-1511-000](#) [7029-1511-060](#) [7101-1541-010](#) [7101-1571-002](#) [7145-1521-002](#) [7203-1571-003](#) [7209-1511-011](#) [7210-1511-015](#) [7210-1511-019](#) [73137-5015](#) [73216-2241](#) [73404-2300](#) [7405-1521-005](#) [7405-1521-802](#) [8527](#) [8547](#) [FS11V](#) [877931](#) [8808-1511-001](#) [9049-9513-000](#) [9074-9513-000](#) [9101-9573-002](#) [910A205F](#) [9130-9573-002](#) [PL11SC-026](#) [PL375-33](#) [PL40-5](#) [PL74C-221](#) [PL75MC-217](#) [PL803-7](#) [1200690078](#) [1-201144-1](#) [R107003010W](#) [R110A172100](#)