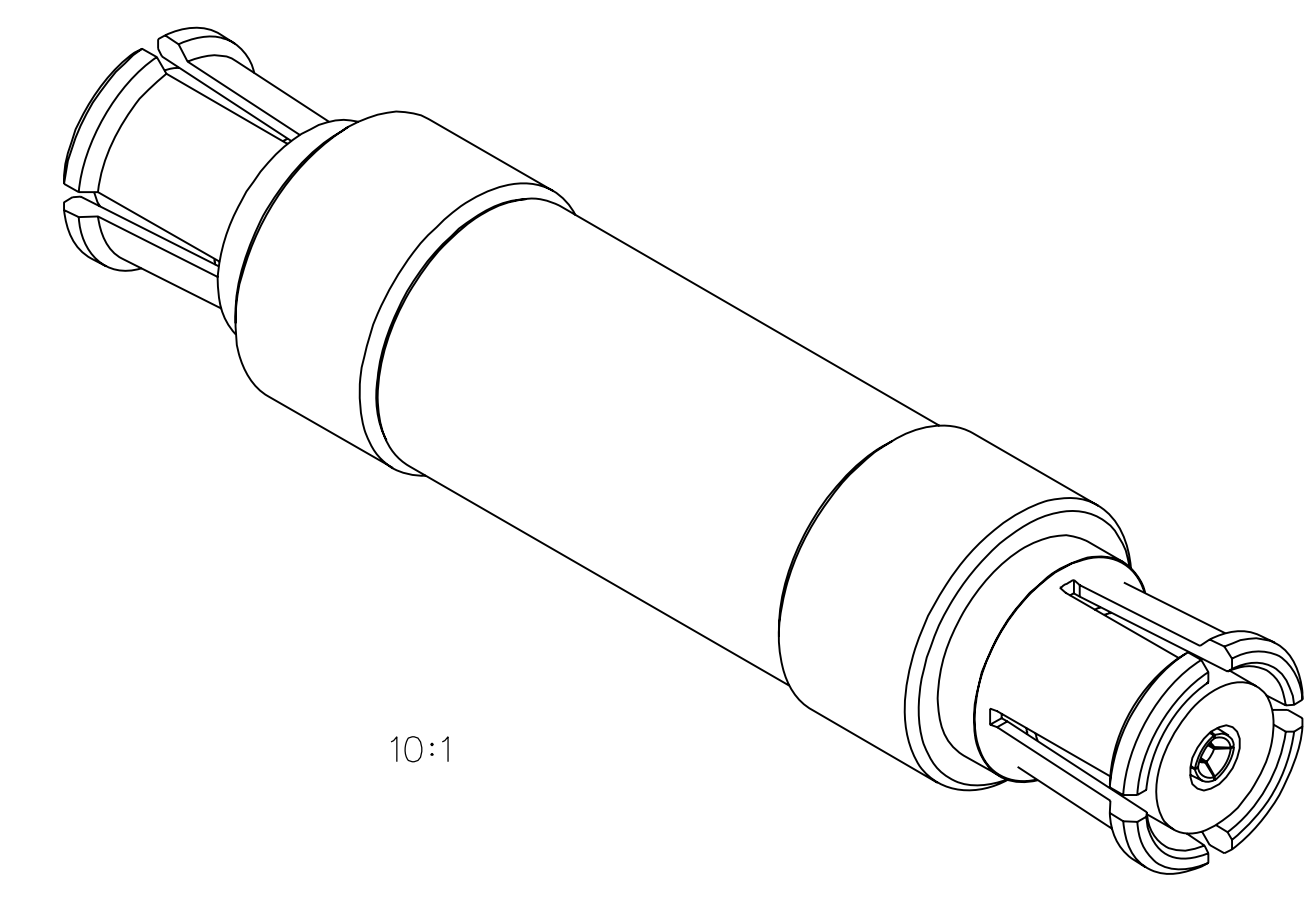
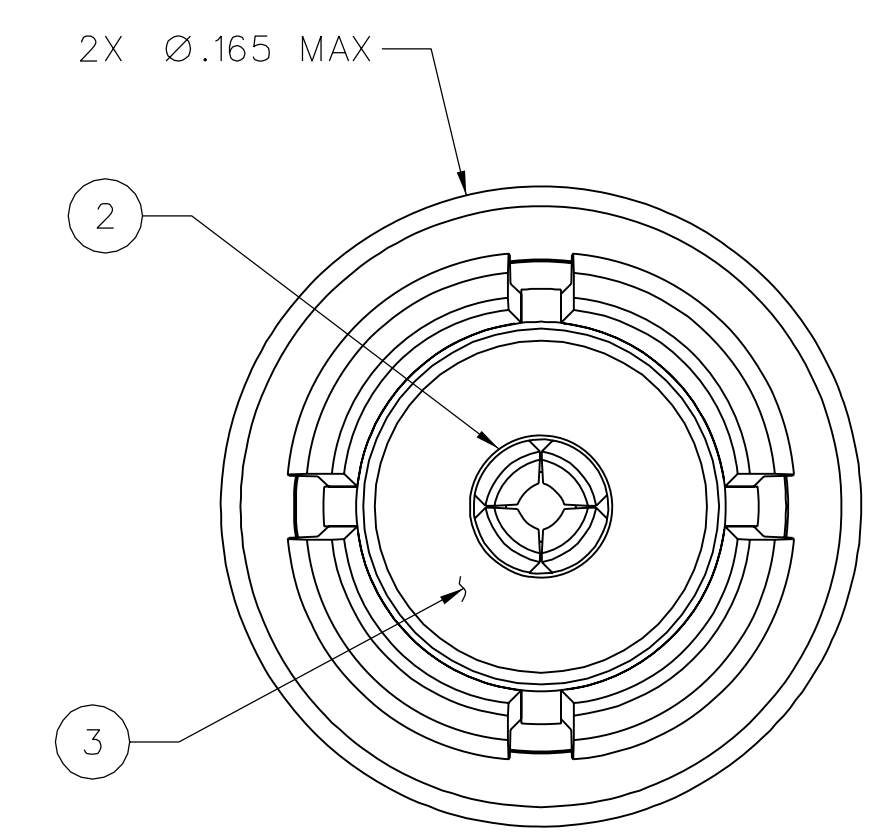
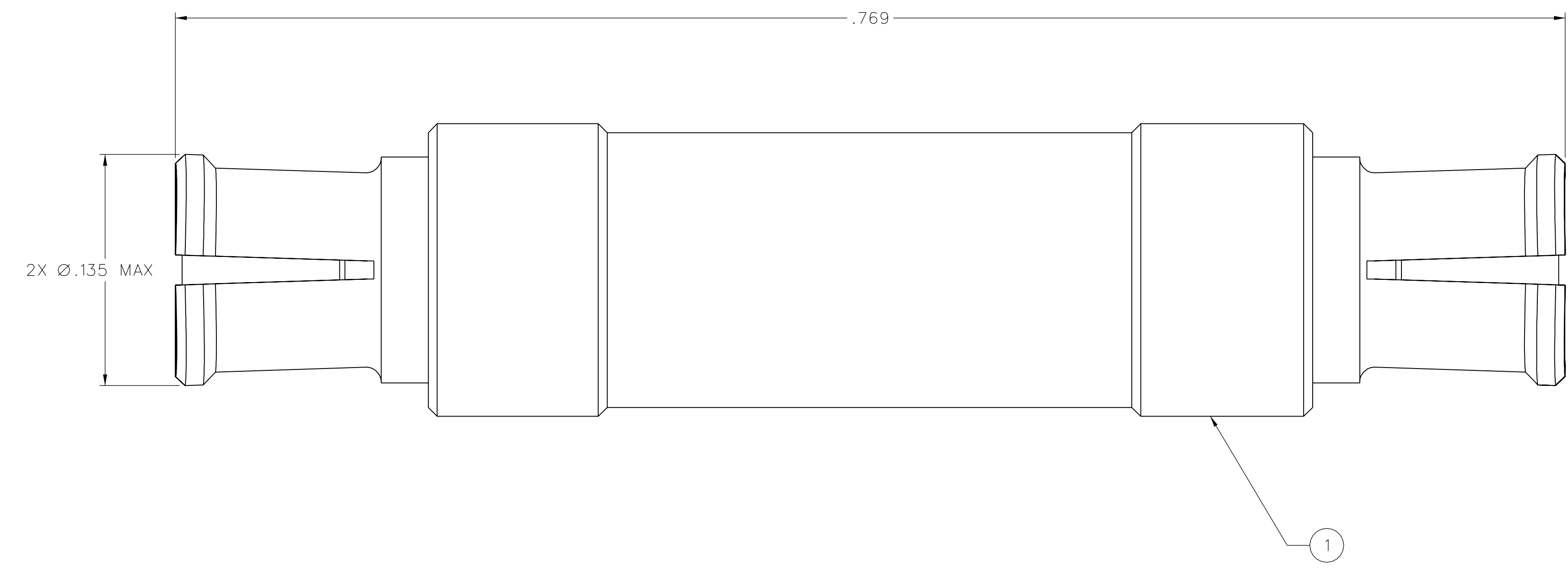


PART NUMBER 127-0901-811	ITEM ① BODY BERYLLIUM COPPER GOLD PL .00005 MIN OVER NICKEL PL .00005 MIN OVER COPPER PL .00005 MIN	ITEM ② CONTACT BERYLLIUM COPPER GOLD PL .00005 MIN OVER NICKEL PL .00005 MIN OVER COPPER PL .00005 MIN	ITEM ③ 2X INSULATOR TEFLON
-----------------------------	--	---	----------------------------------

DRAWING NO. D - 127-0901-811/820	
0 REVISIONS	
ENGINEERING RELEASE	
1	5-25-07 A R K U N
	M T B C
	5-29-07
	ECN 51023



10:1



NOTES:


1. SPECIFICATIONS:
- IMPEDENCE: 50 OHMS NOMINAL  
 FREQUENCY RANGE: 0-18 GHz  
 VSWR: 1.10 MAX (0-4 GHz)  
 1.15 MAX (4-12 GHz)  
 1.20 MAX (12-18 GHz)
- WORKING VOLTAGE: 335 VRMS MAX AT SEA LEVEL  
 DIELECTRIC WITHSTANDING VOLTAGE: 500 VRMS MIN AT SEA LEVEL  
 INSULATION RESISTANCE: 5000 MEGOHM MIN
- CONTACT RESISTANCE:  
 CENTER CONTACT - INITIAL 6.0 MILLIOHM MAX, AFTER ENVIRONMENTAL NOT APPLICABLE  
 OUTER CONDUCTOR - INITIAL 2.0 MILLIOHM MAX, AFTER ENVIRONMENTAL NOT APPLICABLE
- INSERTION LOSS: 0.10/√F (GHz) dB MAX, TESTED AT 10 GHz  
 CORONA LEVEL: 190 VOLTS MIN AT 70,000 FEET  
 RF LEAKAGE: -65 dB TYPICAL, TESTED AT 2.5 GHz  
 RF HIGH POTENTIAL WITHSTANDING VOLTAGE: 325 VRMS MIN AT 4 AND 7 MHz
- MECHANICAL:
- INTERFACE DESIGN: IN ACCORDANCE WITH MIL-STD-348A, SERIES SMP  
 ENGAGEMENT FORCE: 15.0 LBS MAX (FULL DETENT)  
 10.0 LBS MAX (LIMITED DETENT)  
 2.0 LBS MAX (SMOOTH BORE)  
 DISENGAGEMENT FORCE: 5.0 LBS MIN (FULL DETENT)  
 2.0 LBS MIN (LIMITED DETENT)  
 0.5 LBS MIN (SMOOTH BORE)  
 CONTACT RETENTION: 1.5 LBS MIN AXIAL FORCE  
 DURABILITY: 100 CYCLES MIN (FULL DETENT)  
 500 CYCLES MIN (LIMITED DETENT)  
 1000 CYCLES MIN (SMOOTH BORE)
- ENVIRONMENTAL:
- (MEETS OR EXCEEDS THE APPLICABLE PARAGRAPH OF DSCC DWG NO. 94007)  
 OPERATING TEMPERATURE: -65°C TO 165°C  
 THERMAL SHOCK: MIL-STD-202, METHOD 107, CONDITION B, EXCEPT 165°C HIGH TEMP  
 MECHANICAL SHOCK: MIL-STD-202, METHOD 213, CONDITION I  
 CORROSION: MIL-STD-202, METHOD 101, CONDITION B  
 VIBRATION: MIL-STD-202, METHOD 204, CONDITION D  
 MOISTURE RESISTANCE: MIL-STD-202, METHOD 106, EXCEPT STEP 7B OMITTED

CUSTOMER DRAWING

THIS DRAWING TO BE INTERPRETED PER ASME Y 14.5M - 1994

"μSTATION"

COMPANY CONFIDENTIAL

TOLERANCE UNLESS OTHERWISE SPECIFIED	DRAWN BY PAT	DATE 1-22-07	 <b>Cinch</b> CONNECTIVITY SOLUTIONS a bel group	Cinch Connectivity Solutions P.O. Box 1732 Waseca, MN 56093 1-800-247-8256	
DECIMALS _____ mm	CHECKED BY JRK	DATE 5-25-07		TITLE SMP FEMALE/FEMALE ADAPTER, .769 LONG	
.XXX ±.005 _____	APPROVED BY PDW	DATE 5-25-07	SHEET 2 OF 2		
MATL _____	RELEASE DATE 5-29-07	SCALE 20:1	DRAWING NO. D - 127-0901-811/820		
FINISH _____	U/M INCH				

## X-ON Electronics

Largest Supplier of Electrical and Electronic Components

*Click to view similar products for [RF Adapters - In Series](#) category:*

*Click to view products by [Bel Fuse](#) manufacturer:*

Other Similar products are found below :

[5916-1103-603](#) [5919-1503-000](#) [5919-9503-000](#) [651A505](#) [82-5552](#) [9030-9523-502](#) [PN2C](#) [A0407000](#) [R114703000W](#) [R125771001](#)  
[R127871001](#) [R141710000W](#) [R141723161](#) [R141730000](#) [R143730700](#) [R143770000](#) [R161703000W](#) [R161753000W](#) [R161791530W](#)  
[R201705000](#) [R222705200](#) [R222M40010W](#) [R223703180](#) [R316754000](#) [R405006000](#) [R443162000](#) [AD78TL](#) [HRM-513S](#) [1996352-2](#)  
[2157155-1](#) [252169-75](#) [AD158](#) [2101130-1](#) [252186](#) [R114704000W](#) [R114720000W](#) [R125705001](#) [R125705701](#) [R125771000](#) [R125771001W](#)  
[R127704001](#) [R127.870.001](#) [R127872001](#) [R141717000](#) [R142710000](#) [R142723000](#) [R143703000](#) [R143704000](#) [R143705700](#) [R143710000](#)