

PART NUMBER	SHROUD MATERIAL
127-1701-602	STAINLESS STEEL PASSIVATED

DRAWING NO.  
C - 127-1701-601/610

0 REVISIONS

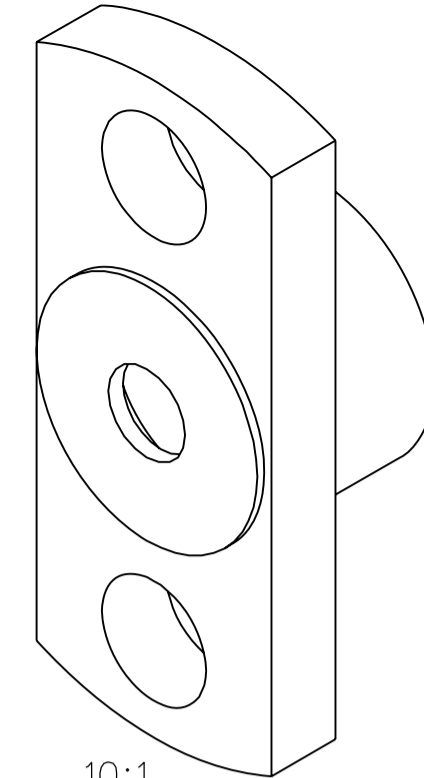
ENGINEERING RELEASE

1	1-10-07	PAT	JRK	PDW	MJU	2-17-07	ECN 50898
---	---------	-----	-----	-----	-----	---------	-----------

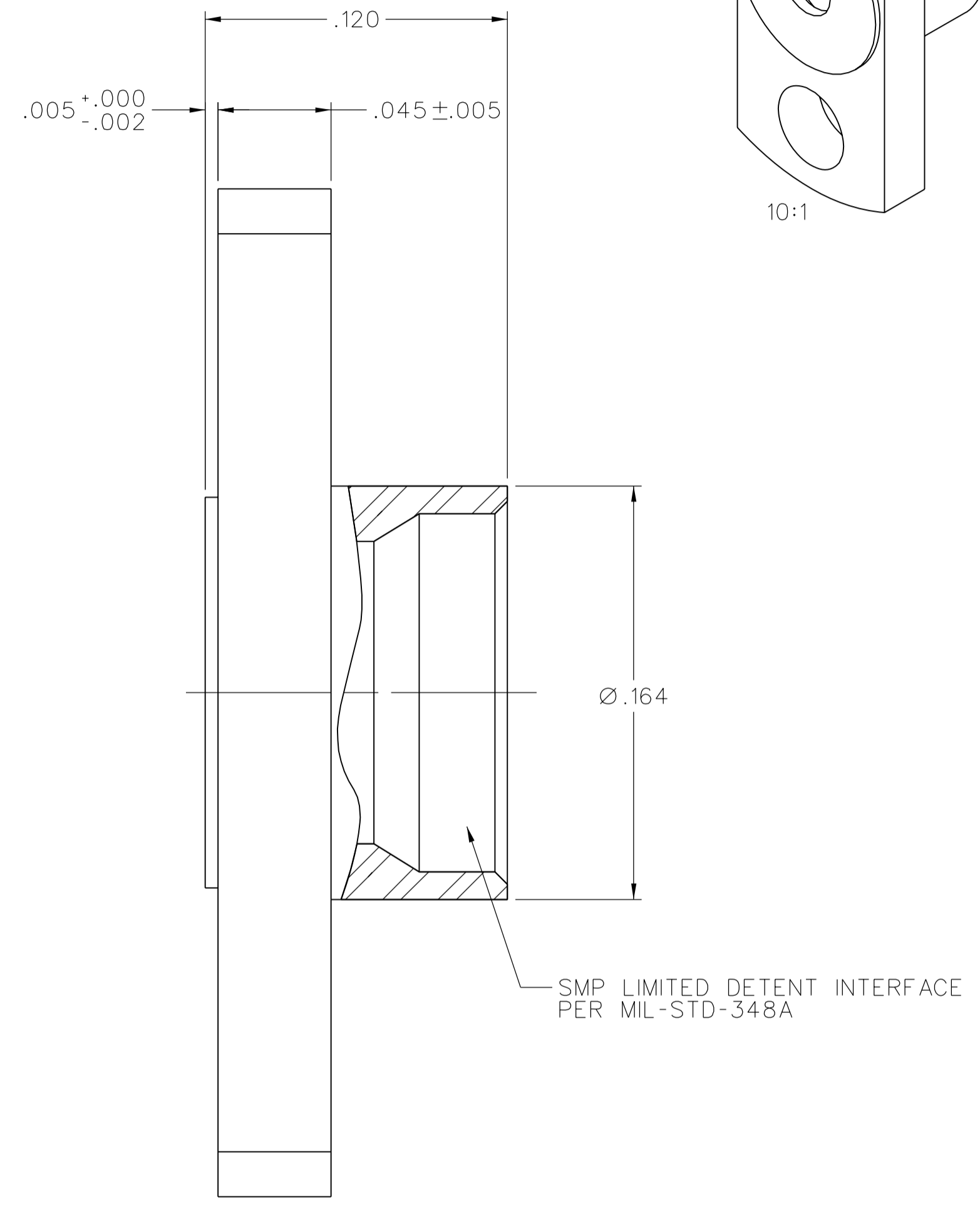
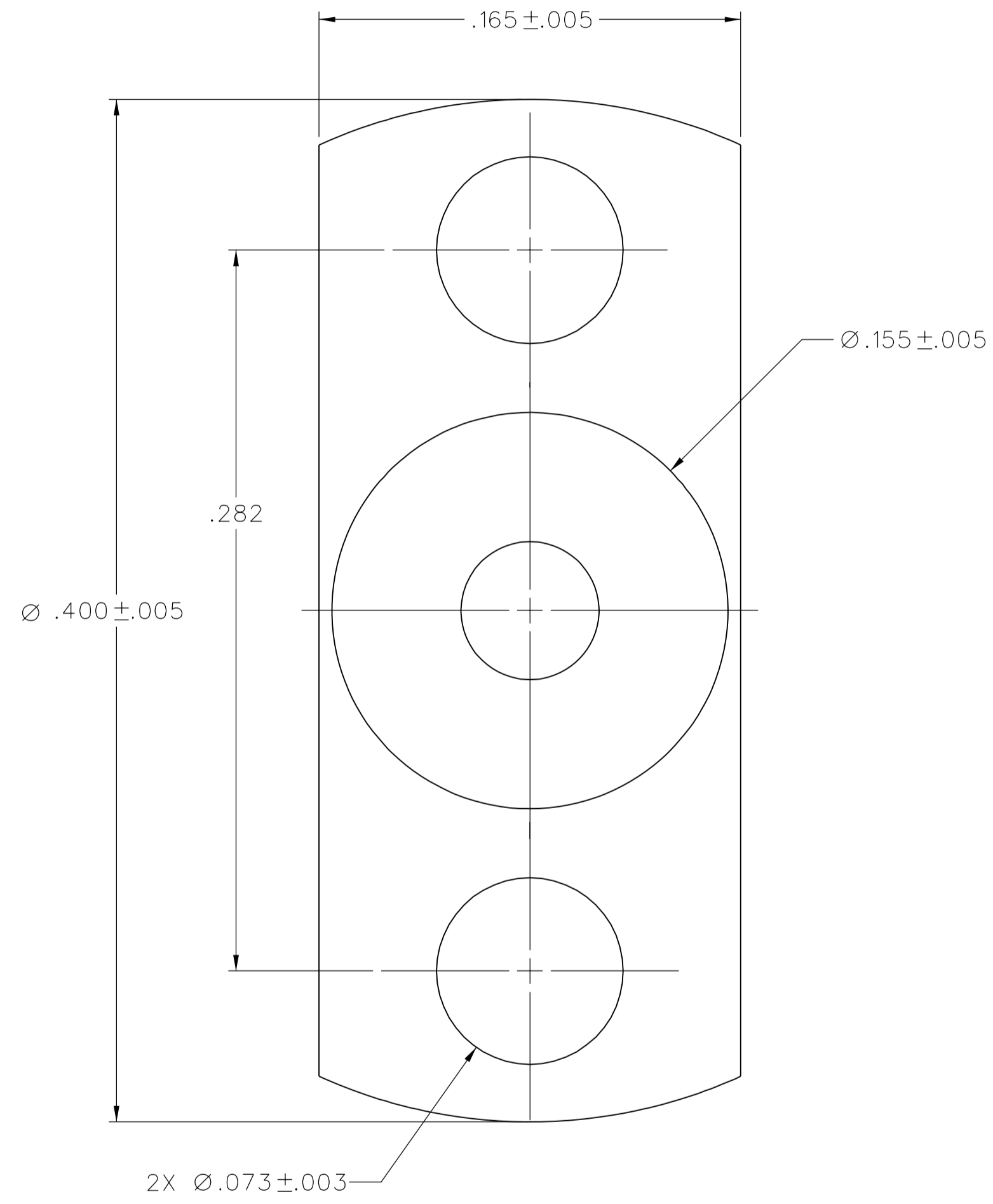
VERSION UPDATE

\*\*\*\*\*  
\* REVISION NUMBER FOLLOWED BY AN ALPHA \*  
\* CHARACTER INDICATES DRAWING CLARIFI- \*  
\* CATION OR PART NUMBER ADDITION ONLY. \*  
\*\*\*\*\*

1a	11-12-07	PAT	JRK	RB	MJU	JCN	11-13-07	ECN 51291
----	----------	-----	-----	----	-----	-----	----------	-----------



10:1



NOTES:

- SPECIFICATIONS:
  - INTERFACE DIMENSIONS: IN ACCORDANCE WITH MIL-STD-348A, SERIES SMP, LIMITED DETENT
  - CONTACT RESISTANCE: INITIAL 2.0 MILLIOHM MAX, AFTER ENVIRONMENTAL NOT APPLICABLE
- MECHANICAL:
  - ENGAGEMENT FORCE: 10 POUNDS MAX
  - DISENGAGEMENT FORCE: 2 POUNDS MIN
  - DURABILITY: 500 CYCLES MIN
- ENVIRONMENTAL:
  - (MEETS OR EXCEEDS THE APPLICABLE PARAGRAPH OF DSCC DWG NO. 94007)
  - OPERATING TEMPERATURE: -65°C TO 165°C
  - THERMAL SHOCK: MIL-STD-202, METHOD 107, CONDITION B, EXCEPT 165°C HIGH TEMP
  - CORROSION: MIL-STD-202, METHOD 101, CONDITION B
  - VIBRATION, HIGH FREQUENCY: MIL-STD-202, METHOD 204, CONDITION D
  - VIBRATION, RANDOM: MIL-STD-202, METHOD 214, CONDITION F

CUSTOMER DRAWING

THIS DRAWING TO BE INTERPRETED PER ASME Y 14.5M - 1994

"μSTATION"

COMPANY CONFIDENTIAL

TOLERANCE UNLESS OTHERWISE SPECIFIED		DRAWN BY	DATE
DECIMALS	mm	PAT	11-30-06
.XX	_____	CHECKED BY	DATE
.XXX	REF _____	PDW	2-16-07
MATL	_____	APPROVED BY	DATE
FINISH	_____	JRK	2-16-07
U/M	INCH	RELEASE DATE	2-17-07
		SCALE	20:1

**cinch** CONNECTIVITY SOLUTIONS  
a bel group

Cinch Connectivity Solutions  
P.O. Box 1732  
Waseca, MN 56093  
1-800-247-8256

TITLE		SHEET	DRAWING NO.
SMP LIMITED DETENT FLANGE MOUNT SHROUD		2 OF 2	C - 127-1701-601/610

## X-ON Electronics

Largest Supplier of Electrical and Electronic Components

*Click to view similar products for [RF Connector Accessories](#) category:*

*Click to view products by [Bel Fuse](#) manufacturer:*

Other Similar products are found below :

[89674-0712](#) [F702RX24](#) [FERRULE-174](#) [R141802000](#) [R141805000](#) [R141842000](#) [R161862000](#) [R161862000W](#) [R280752000](#) [R280907000](#)  
[R694261906](#) [RFI21-13](#) [RFI75-13-D2](#) [RFI75-4-D2](#) [AX102906](#) [AX102907](#) [18097-0013](#) [HP-375](#) [HP-500](#) [2098-0294-00](#) [2098-3251-94](#) [KA-](#)  
[81-05](#) [89674-0805](#) [F1](#) [FERRULE-223](#) [202102-11](#) [213337-1](#) [220222-2](#) [24092671A](#) [24092678A](#) [R280468000](#) [R280510000](#) [R282862060](#)  
[RFI155-1](#) [RFI25-12-D3](#) [RFI25-5](#) [RFI25-5-D3](#) [RFI75-12-D2](#) [RFI75-2-D2](#) [RFI75-4-D3](#) [RFI77-6](#) [360HS001M2508M6](#) [4-1532137-4](#) [5-21085-](#)  
[0](#) [105274-1000](#) [111062-0490](#) [112122-SOD-LUG](#) [112-NUT-KNURL](#) [IPP-2014](#) [R280490020](#)