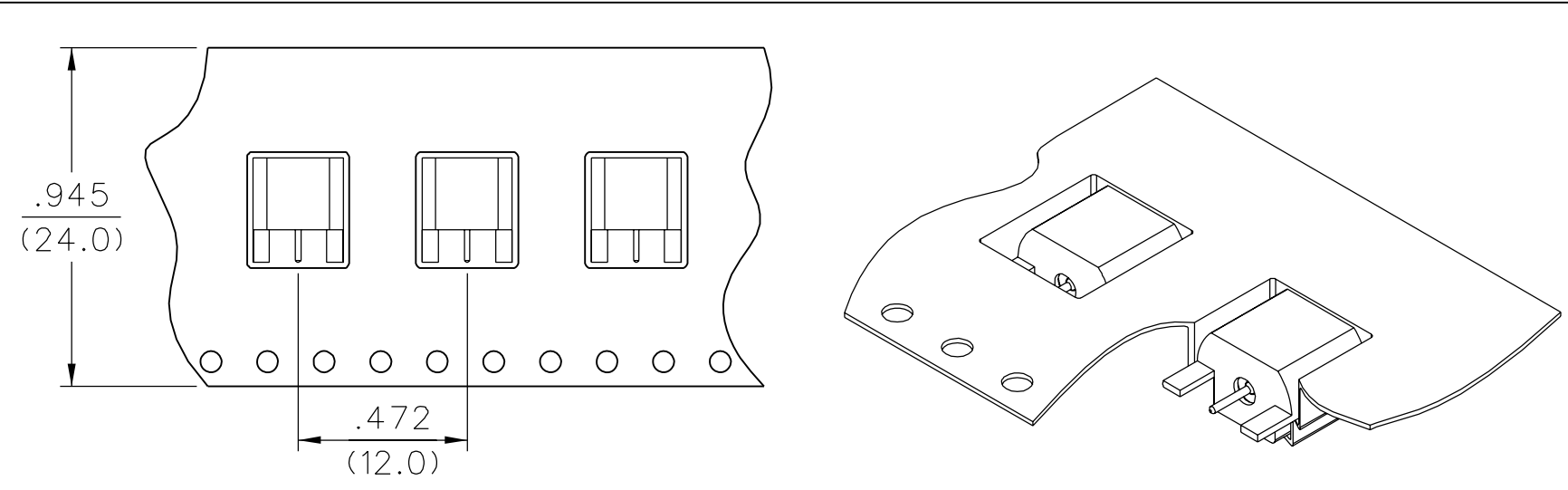


PART NUMBER	ITEM ① BODY	ITEM ② CONTACT	ITEM ③ INSULATOR	PACKAGING
127-1701-801	BERYLLIUM COPPER GOLD PL .00005 MIN OVER NICKEL PL .00005 MIN OVER COPPER PL .00005 MIN	BERYLLIUM COPPER GOLD PL .00005 MIN OVER NICKEL PL .00005 MIN OVER COPPER PL .00005 MIN	TEFLON	BULK PACK 5 PCS/BAG
127-1701-802	BERYLLIUM COPPER GOLD PL .00005 MIN OVER NICKEL PL .00005 MIN OVER COPPER PL .00005 MIN	BERYLLIUM COPPER GOLD PL .00005 MIN OVER NICKEL PL .00005 MIN OVER COPPER PL .00005 MIN	TEFLON	TAPE AND REEL 1000 PCS. PER FIG 1



DRAWING NO.  
C - 127-1701-801/810

REVISIONS	
0	

ENGINEERING RELEASE

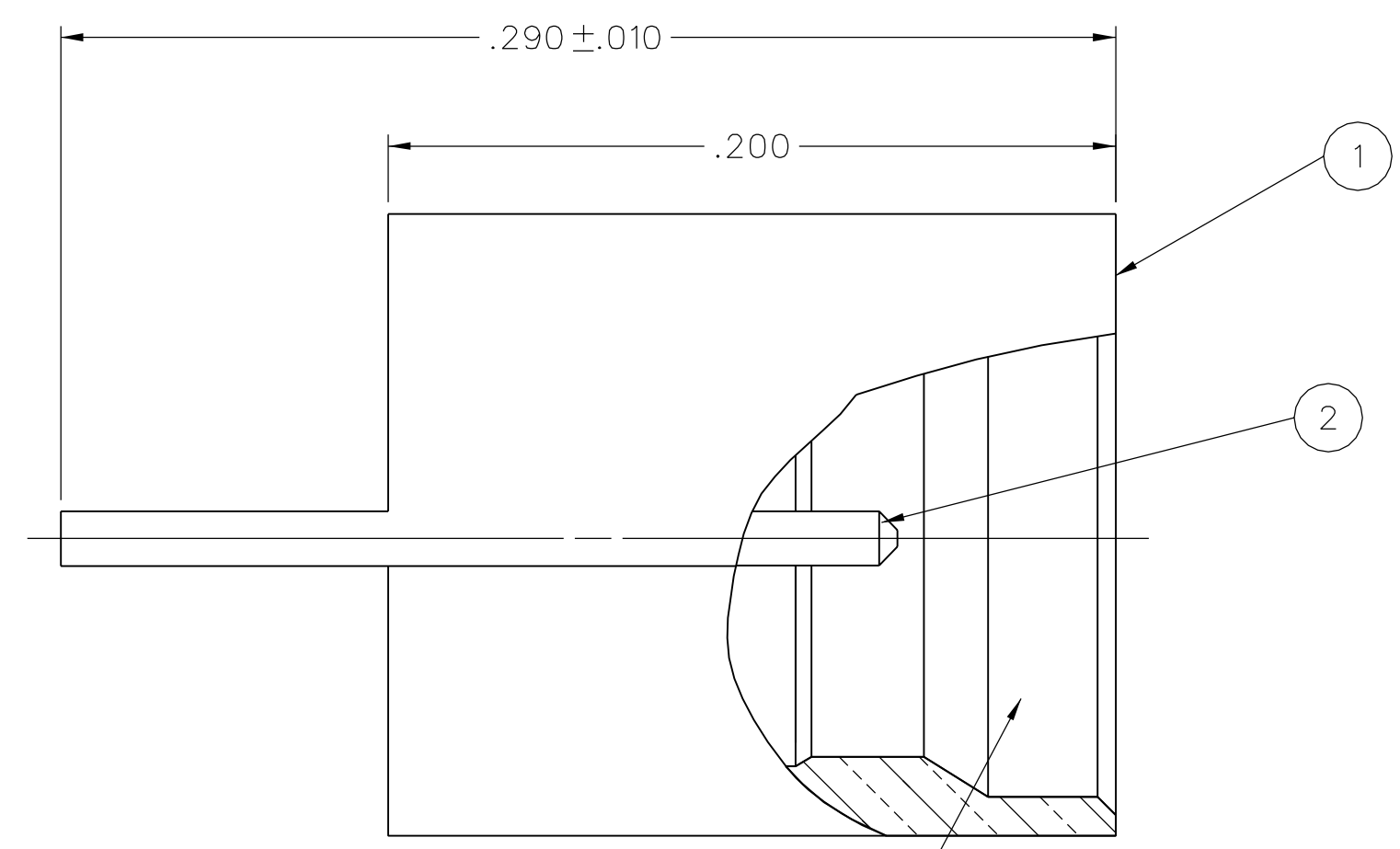
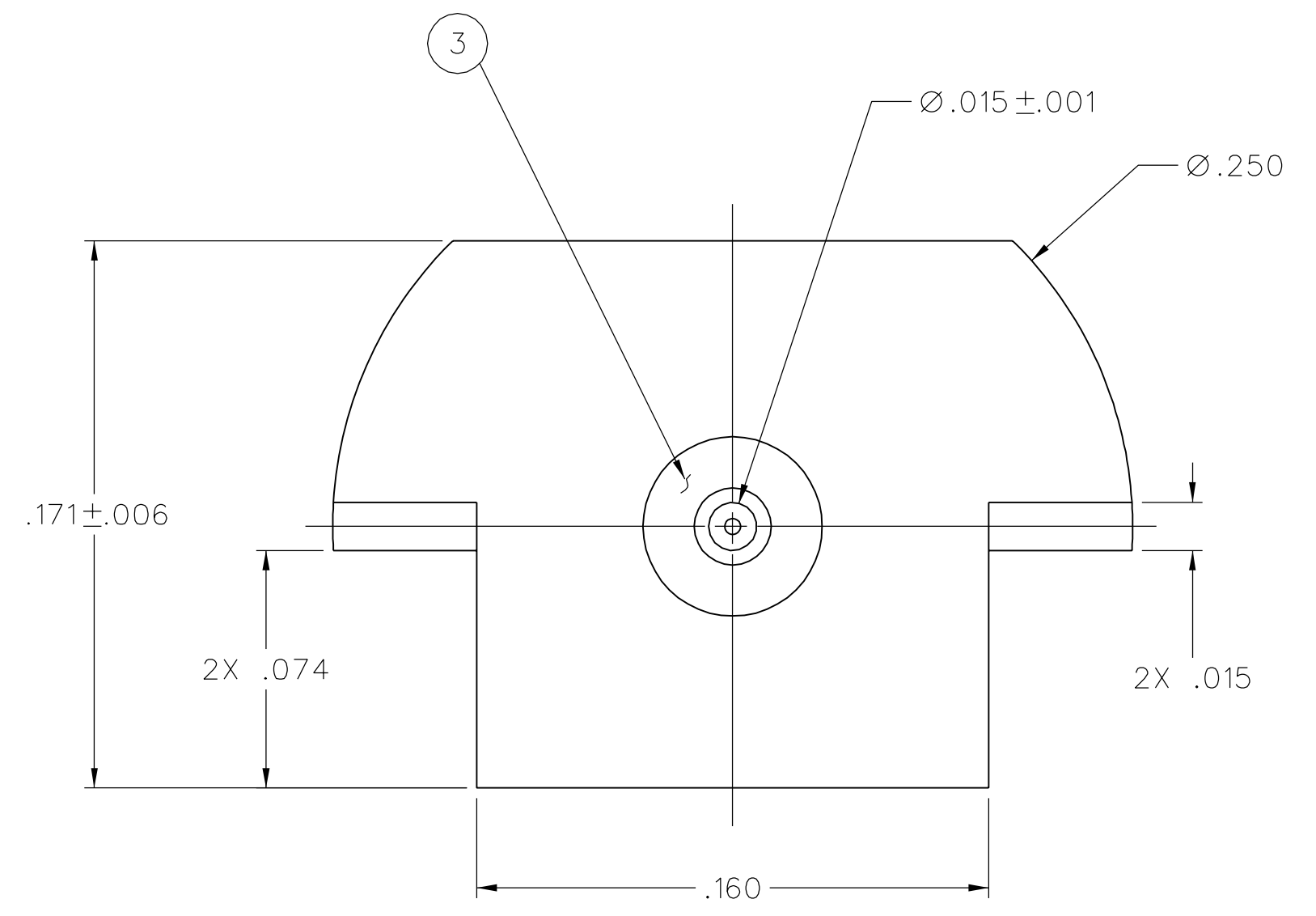
REV	DATE	BY	CHKD	DATE
1	7-6-07	PAT	JRK	7-10-07

.945 WAS .630  
(24.0) (16.0)

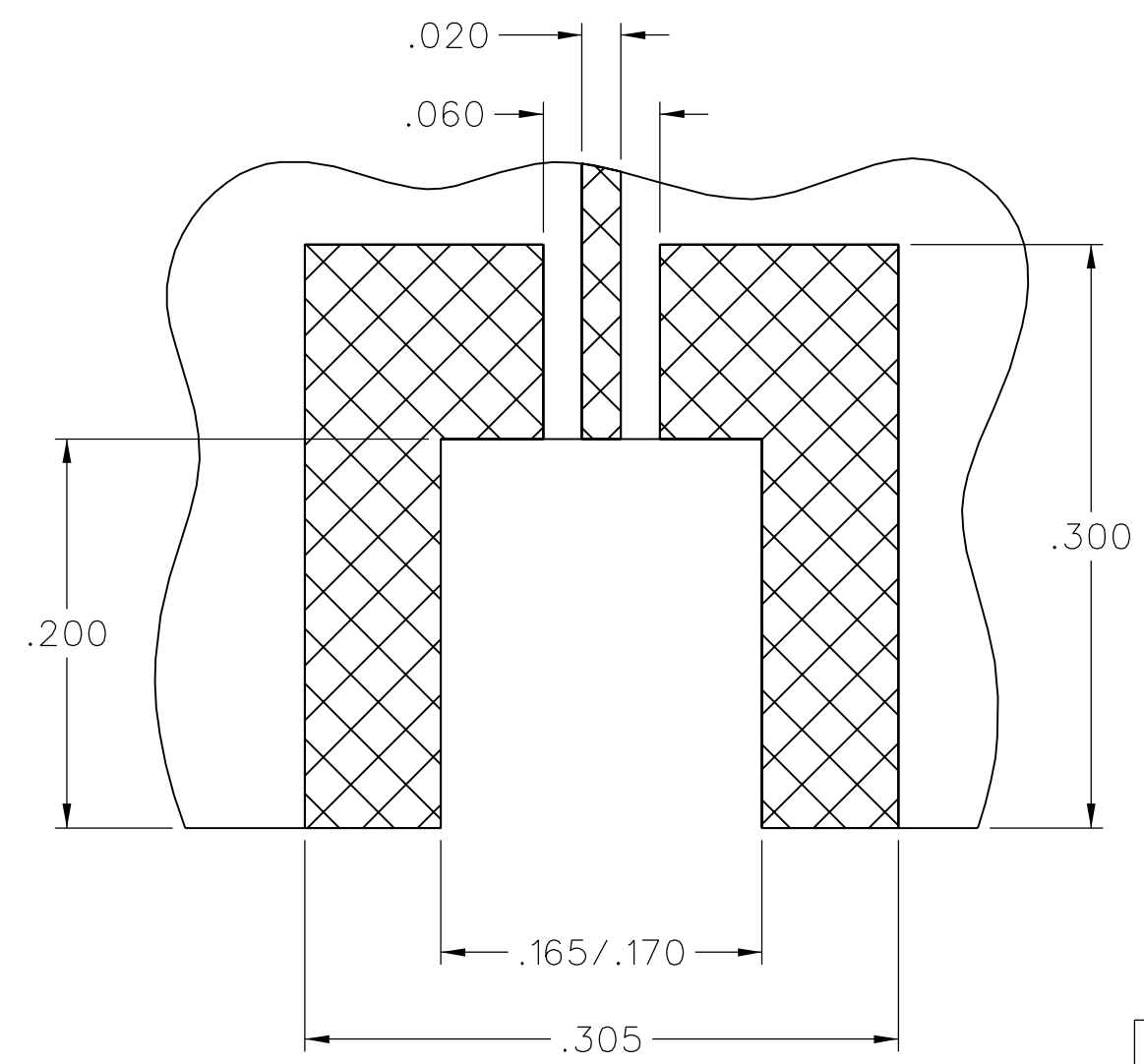
\*\*\*\*\*  
\* REVISION NUMBER FOLLOWED BY AN ALPHA \*  
\* CHARACTER INDICATES DRAWING CLARIFI- \*  
\* CATION OR PART NUMBER ADDITION ONLY. \*  
\*\*\*\*\*

REV	DATE	BY	CHKD	DATE
1a	7-30-07	PAT	JRK	7-30-07

FIG 1  
2:1 TOP VIEW



SMP LIMITED DETENT  
INTERFACE  
PER MIL-STD-348A



RECOMMENDED PCB LAYOUT

THIS PATTERN IS FOR REFERENCE ONLY.  
PATTERN WILL VARY DEPENDING ON  
ASSEMBLY PROCESS, BOARD TYPE, OR  
ELECTRICAL AND MECHANICAL REQUIREMENTS.

NOTES:


- SPECIFICATIONS:
  - IMPEDENCE: 50 OHMS NOMINAL
  - FREQUENCY RANGE: 0-18 GHz
  - VSWR: DEPENDANT ON APPLICATION
  - WORKING VOLTAGE: 335 VRMS MAX AT SEA LEVEL
  - DIELECTRIC WITHSTANDING VOLTAGE: 500 VRMS MIN AT SEA LEVEL
  - INSULATION RESISTANCE: 5000 MEGOHM MIN
  - CONTACT RESISTANCE:
    - CENTER CONTACT - INITIAL 6.0 MILLIOHM MAX, AFTER ENVIRONMENTAL NOT APPLICABLE
    - OUTER CONDUCTOR - INITIAL 2.0 MILLIOHM MAX, AFTER ENVIRONMENTAL NOT APPLICABLE
  - CORONA LEVEL: 190 VOLTS MIN AT 70,000 FEET
  - RF HIGH POTENTIAL WITHSTANDING VOLTAGE: 325 VRMS MIN AT 4 AND 7 MHz
- MECHANICAL:
  - INTERFACE DESIGN: IN ACCORDANCE WITH MIL-STD-348A, SERIES SMP, LIMITED DETENT
  - ENGAGEMENT FORCE: 10 LBS MAX
  - DISENGAGEMENT FORCE: 2 LBS MIN
  - CONTACT RETENTION: 1.5 LBS MIN AXIAL FORCE
  - DURABILITY: 500 CYCLES MIN
- ENVIRONMENTAL:
  - (MEETS OR EXCEEDS THE APPLICABLE PARAGRAPH OF DSCC DWG NO. 94007)
  - OPERATING TEMPERATURE: -65°C TO 165°C
  - THERMAL SHOCK: MIL-STD-202, METHOD 107, CONDITION B, EXCEPT 165°C HIGH TEMP
  - MECHANICAL SHOCK: MIL-STD-202, METHOD 213, CONDITION I
  - CORROSION: MIL-STD-202, METHOD 101, CONDITION B
  - VIBRATION: MIL-STD-202, METHOD 204, CONDITION D
  - MOISTURE RESISTANCE: MIL-STD-202, METHOD 106, EXCEPT STEP 7B OMITTED

CUSTOMER DRAWING

THIS DRAWING TO BE INTERPRETED  
PER ASME Y 14.5M - 1994

"μ STATION"

COMPANY CONFIDENTIAL

TOLERANCE UNLESS OTHERWISE SPECIFIED	DRAWN BY	DATE	 Cinch Connectivity Solutions P.O. Box 1732 Waseca, MN 56093 1-800-247-8256
DECIMALS	PAT	6-27-07	
.XX	CHECKED BY	DATE	TITLE
.XXX ±.003	JRK	7-16-07	
MATL	APPROVED BY	DATE	SMP LIMITED DETENT SURFACE MOUNT END LAUNCH
	PDW	7-16-07	
FINISH	RELEASE DATE	7-16-07	SHEET 2 OF 2
	U/M INCH	SCALE 20:1	
			DRAWING NO. C - 127-1701-801/810

## X-ON Electronics

Largest Supplier of Electrical and Electronic Components

*Click to view similar products for [RF Connectors / Coaxial Connectors](#) category:*

*Click to view products by [Bel Fuse](#) manufacturer:*

Other Similar products are found below :

[8915-1511-000](#) [89674-0827](#) [6001-7071-019](#) [6002-7051-003](#) [6002-7551-202](#) [6059674-1](#) [619550-1](#) [630059-000](#) [M39030/3-01N](#) [6500-7071-046](#) [6769](#) [CX050L2AQ](#) [7002-1541-010](#) [7002-1542-011](#) [7004-1512-000](#) [7009-1511-004](#) [7010-1511-000](#) [7029-1511-060](#) [7101-1541-010](#) [7101-1571-002](#) [7145-1521-002](#) [7203-1571-003](#) [7209-1511-011](#) [7210-1511-015](#) [7210-1511-019](#) [73137-5015](#) [73216-2241](#) [73404-2300](#) [7405-1521-005](#) [7405-1521-802](#) [8527](#) [8547](#) [FS11V](#) [877931](#) [8808-1511-001](#) [9049-9513-000](#) [9074-9513-000](#) [9101-9573-002](#) [910A205F](#) [9130-9573-002](#) [PL11SC-026](#) [PL375-33](#) [PL40-5](#) [PL74C-221](#) [PL75MC-217](#) [PL803-7](#) [1200690078](#) [1-201144-1](#) [R107003010W](#) [R110A172100](#)