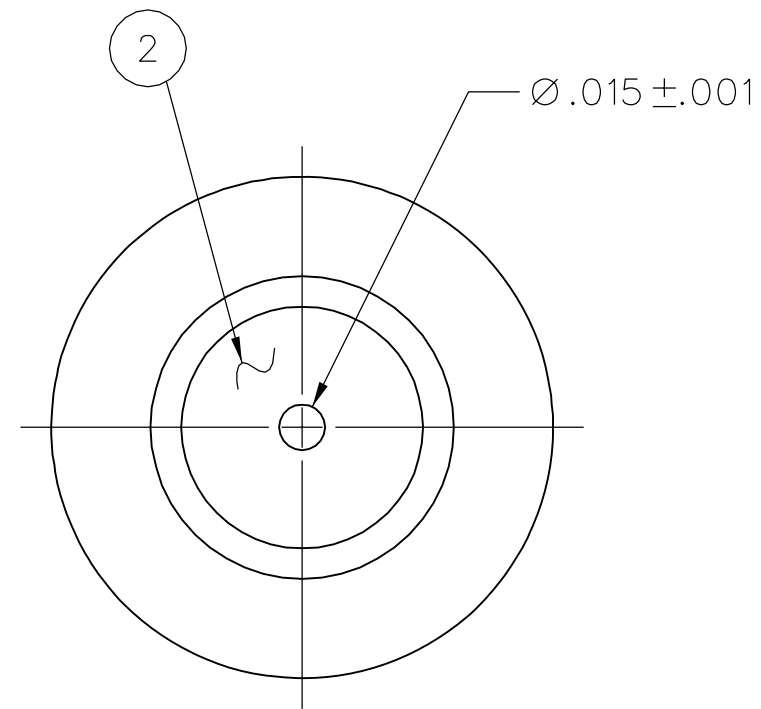
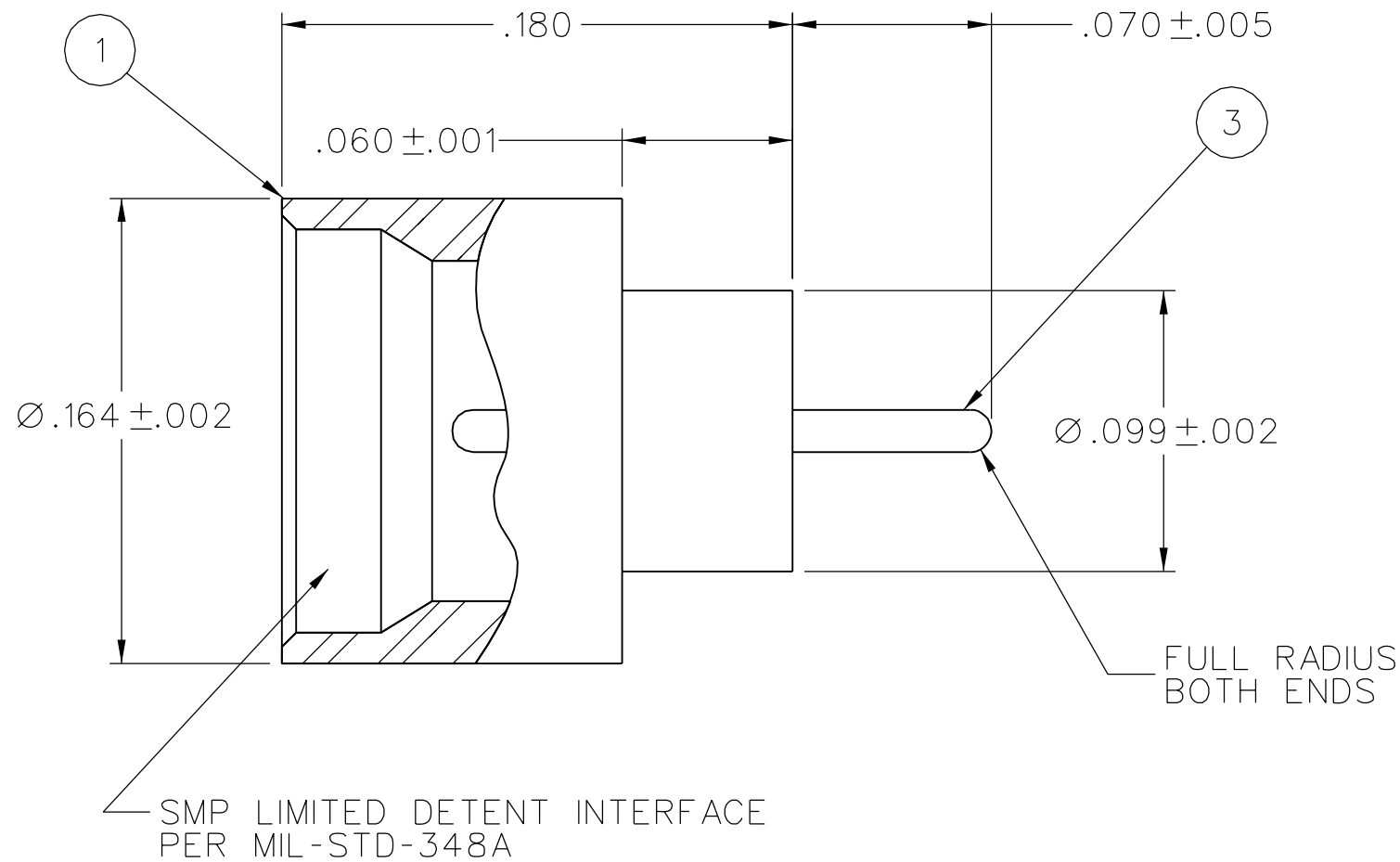


PART NUMBER	ITEM ① SHROUD BODY	ITEM ② INSULATOR	ITEM ③ PIN
127-1711-601	KOVAR GOLD PL .00005 MIN OVER NICKEL PL	GLASS, CORNING 7070 OR EQUIVALENT	KOVAR GOLD PL .00005 MIN OVER NICKEL PL

DRAWING NO. B-127-1711-601/610	
0	REVISIONS
ENGINEERING RELEASE	
1	1-4-07 PAT JRK JCN 1-18-07 ECN 50861



CUSTOMER DRAWING

THIS DRAWING TO BE INTERPRETED  
PER ASME Y 14.5M - 1994

"μSTATION"

COMPANY CONFIDENTIAL

NOTES:

1. SPECIFICATIONS:

ELECTRICAL:

IMPEDANCE: 50 OHMS NOMINAL  
FREQUENCY RANGE: DC TO 18 GHZ  
VSWR: DEPENDANT ON APPLICATION

ENVIRONMENTAL:

HERMETICITY:  $1 \times 10^{-8}$  cc/sec AT ONE ATMOSPHERE  
SOLDERABILITY: MEETS REQUIREMENTS OF MIL-STD-202G, TEST METHOD 208H.  
OPERATING TEMPERATURE: -55 DEG C TO +165 DEG C

TOLERANCE UNLESS OTHERWISE SPECIFIED		DRAWN BY PAT	DATE 11-21-06
DECIMALS	mm	CHECKED BY JRK	DATE 1-18-07
.XX	_____	APPROVED BY JCN	DATE 1-18-07
.XXX ±.003	_____	RELEASE DATE	1-18-07
MATL	_____	U/M	INCH
FINISH	_____	SCALE	15:1



Cinch Connectivity Solutions  
P.O. Box 1732  
Waseca, MN 56093  
1-800-247-8256

TITLE  
SMP LIMITED DETENT  
STRAIGHT FEEDTHRU SHROUD  
HERMETIC SEALED PIN CONTACT

SHEET 2 OF 2  
DRAWING NO. B-127-1711-601/610

## X-ON Electronics

Largest Supplier of Electrical and Electronic Components

*Click to view similar products for [RF Connectors / Coaxial Connectors](#) category:*

*Click to view products by [Bel Fuse](#) manufacturer:*

Other Similar products are found below :

[8915-1511-000](#) [89674-0827](#) [6001-7071-019](#) [6002-7051-003](#) [6002-7551-202](#) [6059674-1](#) [619550-1](#) [630059-000](#) [M39030/3-01N](#) [6500-7071-046](#) [6769](#) [CX050L2AQ](#) [7002-1541-010](#) [7002-1542-011](#) [7004-1512-000](#) [7009-1511-004](#) [7010-1511-000](#) [7029-1511-060](#) [7101-1541-010](#) [7101-1571-002](#) [7145-1521-002](#) [7203-1571-003](#) [7209-1511-011](#) [7210-1511-015](#) [7210-1511-019](#) [73137-5015](#) [73216-2241](#) [73404-2300](#) [7405-1521-005](#) [7405-1521-802](#) [8527](#) [8547](#) [FS11V](#) [877931](#) [8808-1511-001](#) [9049-9513-000](#) [9074-9513-000](#) [9101-9573-002](#) [910A205F](#) [9130-9573-002](#) [PL11SC-026](#) [PL375-33](#) [PL40-5](#) [PL74C-221](#) [PL75MC-217](#) [PL803-7](#) [1200690078](#) [1-201144-1](#) [R107003010W](#) [R110A172100](#)