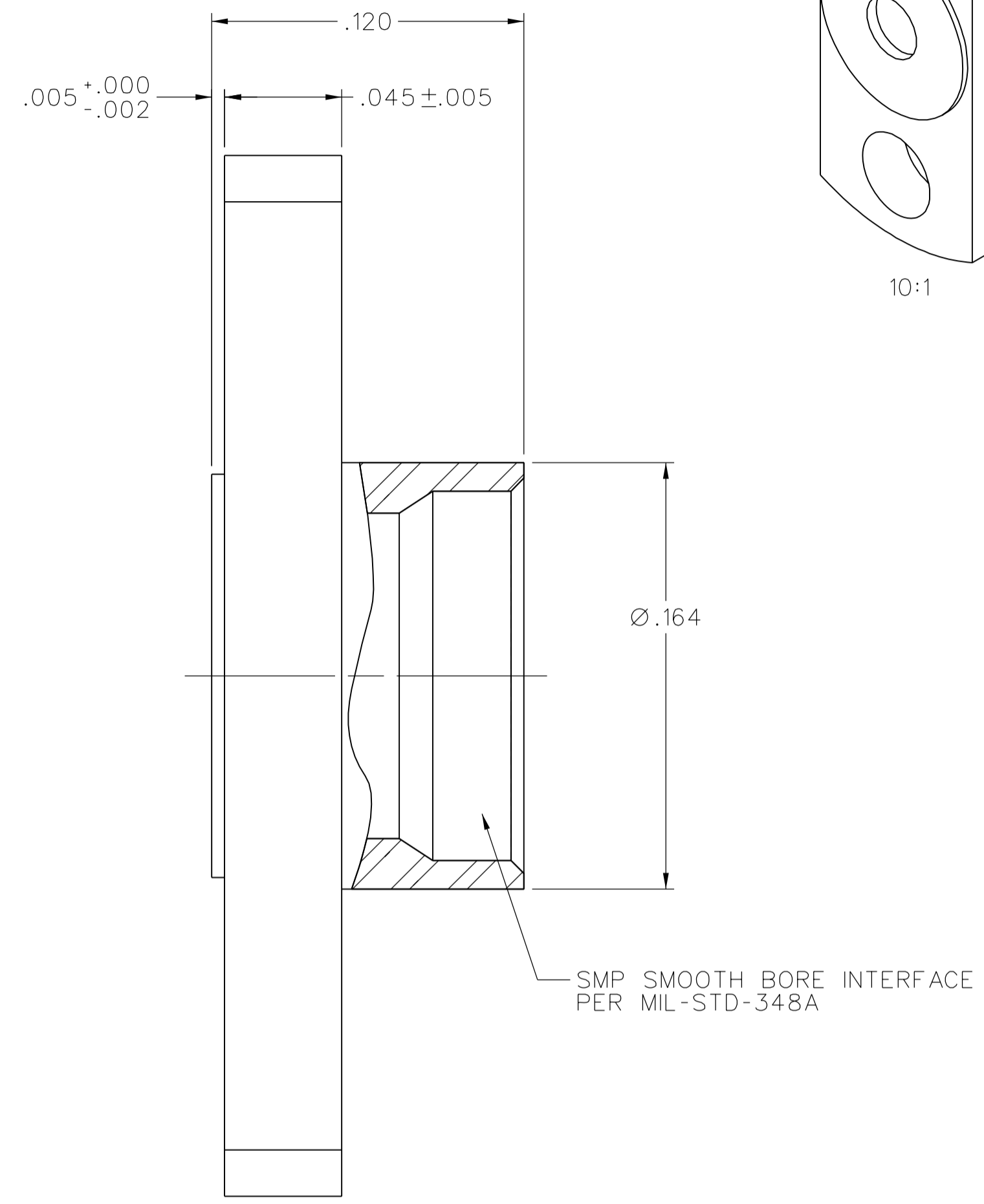
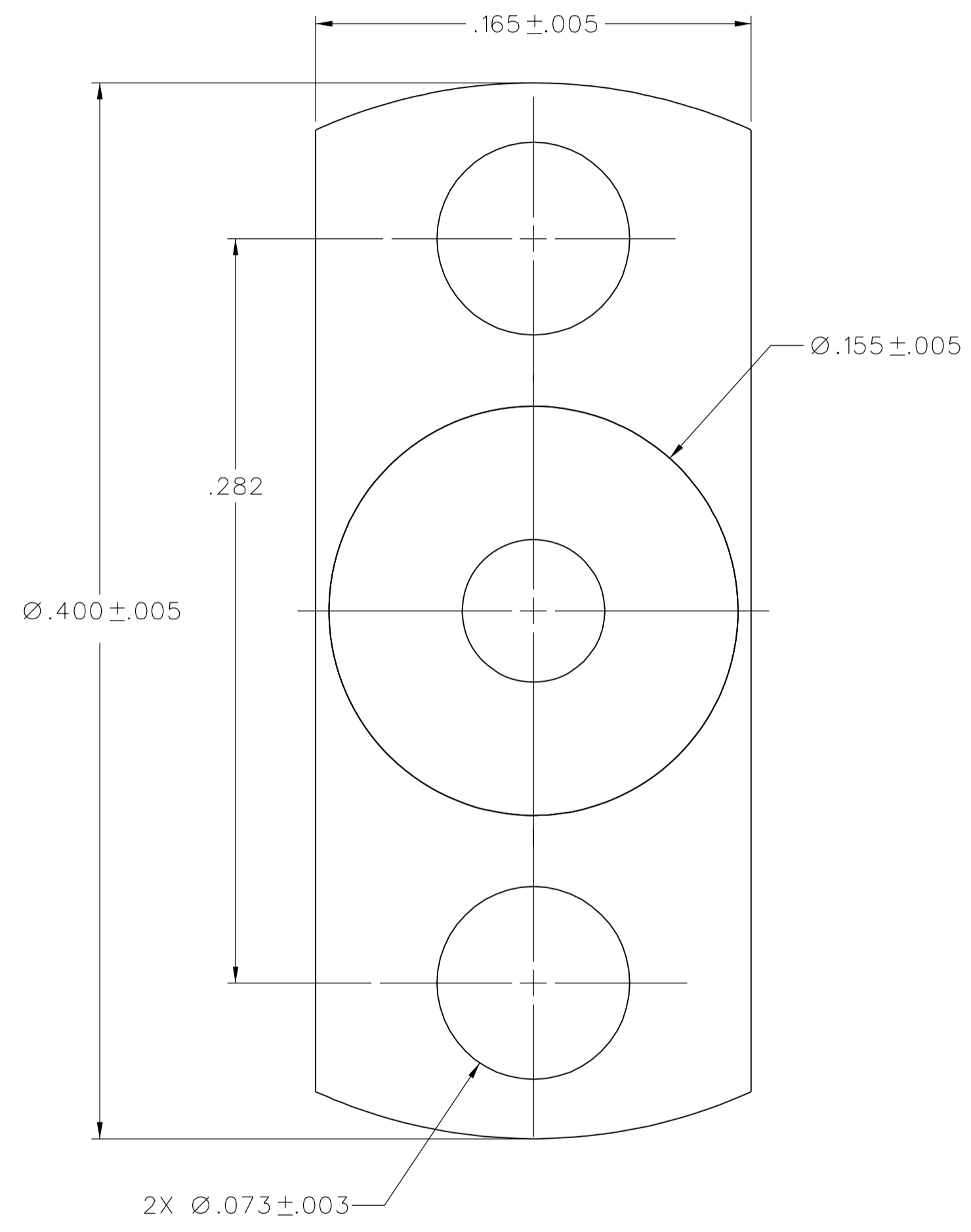
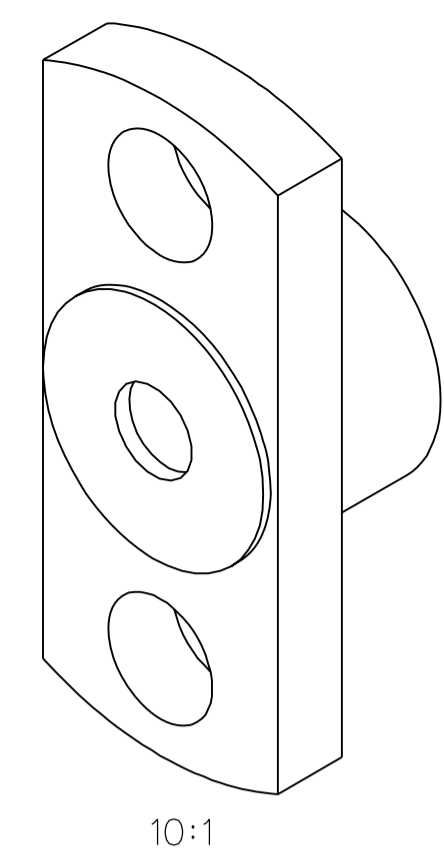


PART NUMBER	SHROUD MATERIAL
127-2701-602	STAINLESS STEEL PASSIVATED

DRAWING NO. C - 127-2701-601/610					
0 REVISIONS					
ENGINEERING RELEASE					
1	1-10-07	PAT	JRK	PDW	2-17-07 ECN 50899
VERSION UPDATE					
***** * REVISION NUMBER FOLLOWED BY AN ALPHA * * CHARACTER INDICATES DRAWING CLARIFI- * * CATION OR PART NUMBER ADDITION ONLY. * *****					
1a	11-12-07	PAT	JRK	MRB JUN	11-13-07 ECN 51292



NOTES:


- SPECIFICATIONS:
  - INTERFACE DIMENSIONS: IN ACCORDANCE WITH MIL-STD-348A, SERIES SMP, SMOOTH BORE
  - CONTACT RESISTANCE: INITIAL 2.0 MILLIOHM MAX, AFTER ENVIRONMENTAL NOT APPLICABLE
  - MECHANICAL:
    - ENGAGEMENT FORCE: 2 POUNDS MAX
    - DISENGAGEMENT FORCE: 0.5 POUNDS MIN
    - DURABILITY: 1000 CYCLES MIN
  - ENVIRONMENTAL:
    - (MEETS OR EXCEEDS THE APPLICABLE PARAGRAPH OF DSCC DWG NO. 94007)
    - OPERATING TEMPERATURE: -65°C TO 165°C
    - THERMAL SHOCK: MIL-STD-202, METHOD 107, CONDITION B, EXCEPT 165°C HIGH TEMP
    - CORROSION: MIL-STD-202, METHOD 101, CONDITION B
    - VIBRATION, HIGH FREQUENCY: MIL-STD-202, METHOD 204, CONDITION D
    - VIBRATION, RANDOM: MIL-STD-202, METHOD 214, CONDITION F

CUSTOMER DRAWING

THIS DRAWING TO BE INTERPRETED  
PER ASME Y 14.5M - 1994

"μSTATION"

COMPANY CONFIDENTIAL

TOLERANCE UNLESS OTHERWISE SPECIFIED		DRAWN BY PAT	DATE 11-30-06	 <b>Cinch</b> CONNECTIVITY SOLUTIONS a bel group	Cinch Connectivity Solutions P.O. Box 1732 Waseca, MN 56093 1-800-247-8256	
DECIMALS	mm	CHECKED BY PDW	DATE 2-16-07		TITLE SMP SMOOTH BORE FLANGE MOUNT SHROUD	
.XX	_____	APPROVED BY JRK	DATE 2-16-07	SHEET 2 OF 2		
.XXX	REF _____	RELEASE DATE 2-17-07	SCALE 20:1	DRAWING NO. C - 127-2701-601/610		
MATL	_____	U/M	INCH			
FINISH	_____					

## X-ON Electronics

Largest Supplier of Electrical and Electronic Components

*Click to view similar products for [RF Connectors / Coaxial Connectors](#) category:*

*Click to view products by [Bel Fuse](#) manufacturer:*

Other Similar products are found below :

[8915-1511-000](#) [89674-0827](#) [6001-7071-019](#) [6002-7051-003](#) [6002-7551-202](#) [6059674-1](#) [619550-1](#) [630059-000](#) [M39030/3-01N](#) [6500-7071-046](#) [6769](#) [CX050L2AQ](#) [7002-1541-010](#) [7002-1542-011](#) [7004-1512-000](#) [7009-1511-004](#) [7010-1511-000](#) [7029-1511-060](#) [7101-1541-010](#) [7101-1571-002](#) [7145-1521-002](#) [7203-1571-003](#) [7209-1511-011](#) [7210-1511-015](#) [7210-1511-019](#) [73137-5015](#) [73216-2241](#) [73404-2300](#) [7405-1521-005](#) [7405-1521-802](#) [8527](#) [8547](#) [FS11V](#) [877931](#) [8808-1511-001](#) [9049-9513-000](#) [9074-9513-000](#) [9101-9573-002](#) [910A205F](#) [9130-9573-002](#) [PL11SC-026](#) [PL375-33](#) [PL40-5](#) [PL74C-221](#) [PL75MC-217](#) [PL803-7](#) [980-8666-005](#) [1200690078](#) [1-201144-1](#) [R107003010W](#)