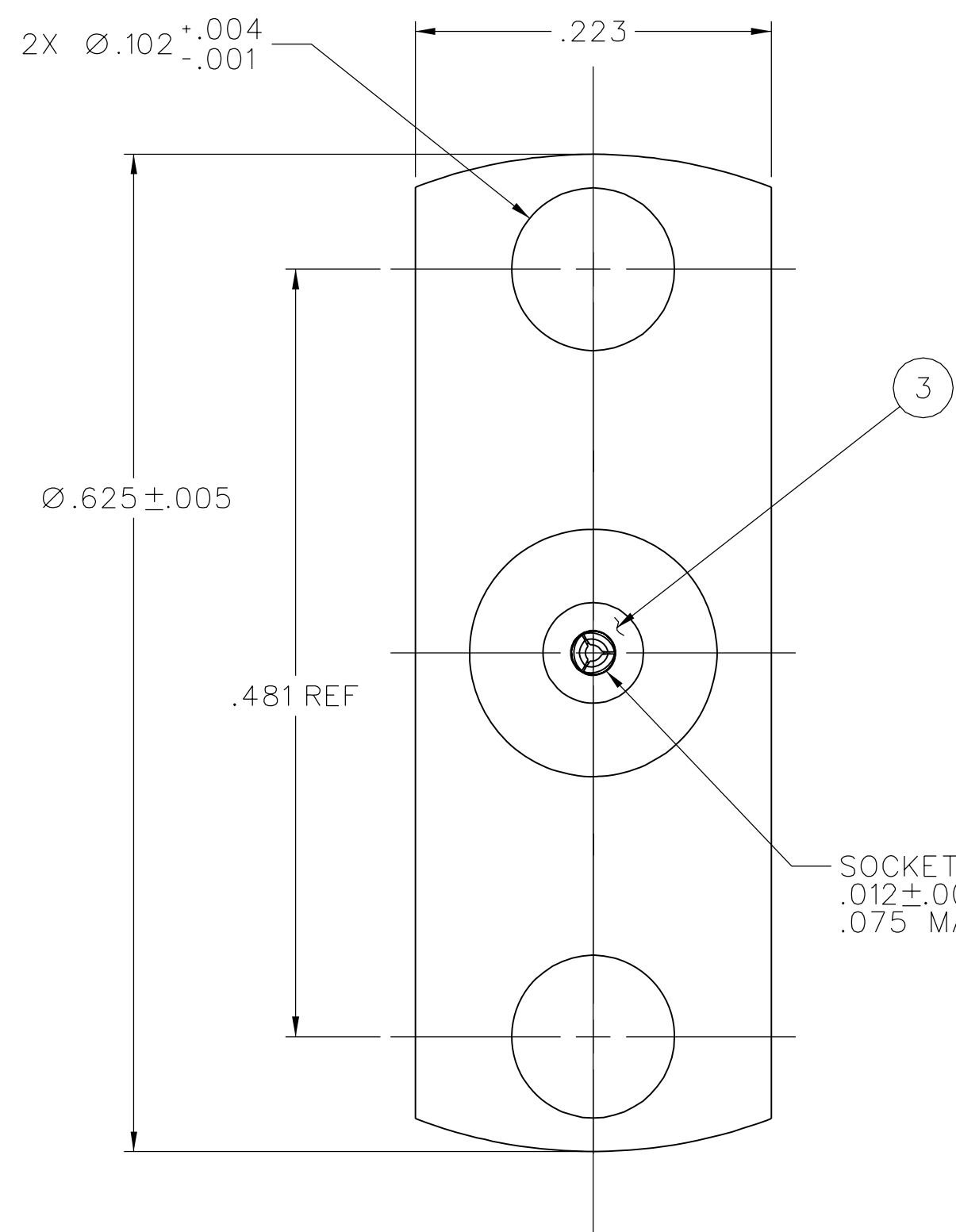
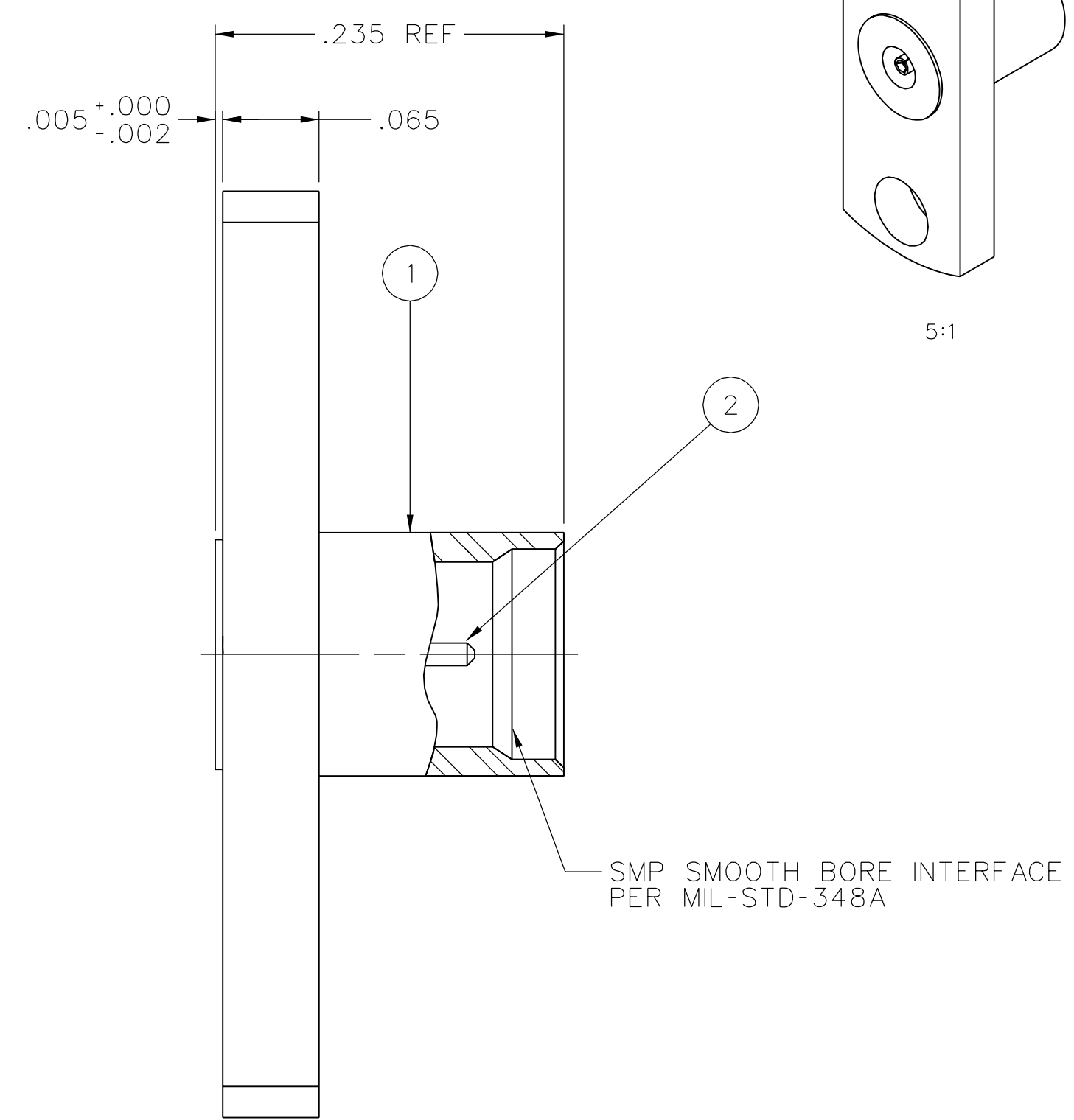


PART NUMBER	ITEM ① BODY	ITEM ② CONTACT	ITEM ③ INSULATOR
127-2701-612	STAINLESS STEEL PASSIVATE	BERYLLIUM COPPER GOLD PL .00005 MIN OVER NICKEL PL .00005 MIN OVER COPPER PL .00005 MIN	TEFLON

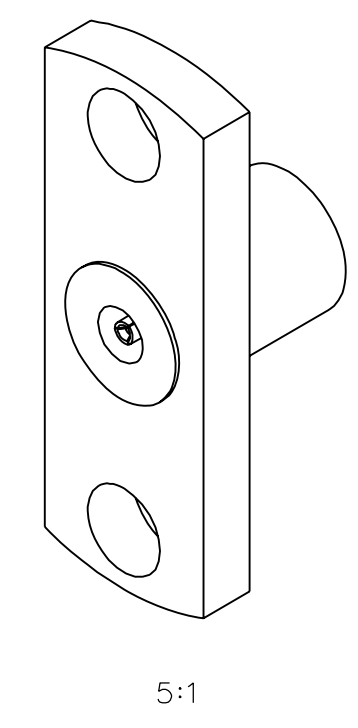
DRAWING NO. C - 127-2701-611/620	
0	REVISIONS
ENGINEERING RELEASE	
1	6-20-07 PAT JRK MPD JCN 6-21-07 ECN 51096



SOCKET SHALL ACCEPT
.012±.001 DIA PIN
.075 MAX DEPTH



SMP SMOOTH BORE INTERFACE
PER MIL-STD-348A



5:1


NOTES:

- SPECIFICATIONS:
 - IMPEDENCE: 50 OHMS NOMINAL
 - FREQUENCY RANGE: 0-18 GHz
 - VSWR: DEPENDANT UPON APPLICATION, TYPICALLY < 1.15
 - WORKING VOLTAGE: 335 VRMS MAX AT SEA LEVEL
 - DIELECTRIC WITHSTANDING VOLTAGE: 500 VRMS MIN AT SEA LEVEL
 - INSULATION RESISTANCE: 5000 MEGOHM MIN
 - CONTACT RESISTANCE:
 - CENTER CONTACT - INITIAL 6.0 MILLIOHM MAX, AFTER ENVIRONMENTAL NOT APPLICABLE
 - OUTER CONDUCTOR - INITIAL 2.0 MILLIOHM MAX, AFTER ENVIRONMENTAL NOT APPLICABLE
 - INSERTION LOSS: $0.10\sqrt{F}$ (GHz) dB MAX, TESTED AT 10 GHz
 - CORONA LEVEL: 190 VOLTS MIN AT 70,000 FEET
 - RF LEAKAGE: -80 dB TYPICAL, TESTED AT 2.5 GHz
 - RF HIGH POTENTIAL WITHSTANDING VOLTAGE: 325 VRMS MIN AT 4 AND 7 MHz
- MECHANICAL:
 - INTERFACE DESIGN: IN ACCORDANCE WITH MIL-STD-348A, SERIES SMP
 - ENGAGEMENT FORCE: 2.0 LBS MAX
 - DISENGAGEMENT FORCE: 0.5 LBS MIN
 - CONTACT RETENTION: 1.5 LBS MIN AXIAL FORCE
 - DURABILITY: 1000 CYCLES MIN (SMP INTERFACE ONLY)
- ENVIRONMENTAL:
 - (MEETS OR EXCEEDS THE APPLICABLE PARAGRAPH OF DSCC DWG NO. 94007)
 - OPERATING TEMPERATURE: -65°C TO 165°C
 - THERMAL SHOCK: MIL-STD-202, METHOD 107, CONDITION B, EXCEPT 165°C HIGH TEMP
 - MECHANICAL SHOCK: MIL-STD-202, METHOD 213, CONDITION I
 - CORROSION: MIL-STD-202, METHOD 101, CONDITION B
 - VIBRATION: MIL-STD-202, METHOD 204, CONDITION D
 - MOISTURE RESISTANCE: MIL-STD-202, METHOD 106, EXCEPT STEP 7B OMITTED

THIS DRAWING TO BE INTERPRETED
PER ASME Y 14.5M - 1994

"μSTATION"

COMPANY CONFIDENTIAL

TOLERANCE UNLESS OTHERWISE SPECIFIED		DRAWN BY PAT	DATE 4-4-07	 Cinch CONNECTIVITY SOLUTIONS a bel group	Cinch Connectivity Solutions P.O. Box 1732 Waseca, MN 56093 1-800-247-8256	
DECIMALS	mm	CHECKED BY JRK	DATE 6-20-07		TITLE SMP SMOOTH BORE FIELD REPLACEABLE	
.XX	_____	APPROVED BY PDW	DATE 6-21-07	SHEET 2 OF 2		
.XXX ±.003	_____	RELEASE DATE	6-21-07	DRAWING NO. C - 127-2701-611/620		
MATL	_____	U/M	INCH	SCALE	10:1	
FINISH	_____					

X-ON Electronics

Largest Supplier of Electrical and Electronic Components

Click to view similar products for [RF Connectors / Coaxial Connectors](#) category:

Click to view products by [Bel Fuse](#) manufacturer:

Other Similar products are found below :

[8915-1511-000](#) [89674-0827](#) [6001-7071-019](#) [6002-7051-003](#) [6002-7551-202](#) [6059674-1](#) [619550-1](#) [630059-000](#) [M39030/3-01N](#) [6500-7071-046](#) [6769](#) [CX050L2AQ](#) [7002-1541-010](#) [7002-1542-011](#) [7004-1512-000](#) [7009-1511-004](#) [7010-1511-000](#) [7029-1511-060](#) [7101-1541-010](#) [7101-1571-002](#) [7145-1521-002](#) [7203-1571-003](#) [7209-1511-011](#) [7210-1511-015](#) [7210-1511-019](#) [73137-5015](#) [73216-2241](#) [73404-2300](#) [7405-1521-005](#) [7405-1521-802](#) [8527](#) [8547](#) [FS11V](#) [877931](#) [9049-9513-000](#) [9074-9513-000](#) [9101-9573-002](#) [910A205F](#) [9130-9573-002](#) [PL11SC-026](#) [PL375-33](#) [PL40-5](#) [PL74C-221](#) [PL75MC-217](#) [PL803-7](#) [980-8666-005](#) [1200690078](#) [1-201144-1](#) [R107003010W](#) [R110A172100](#)