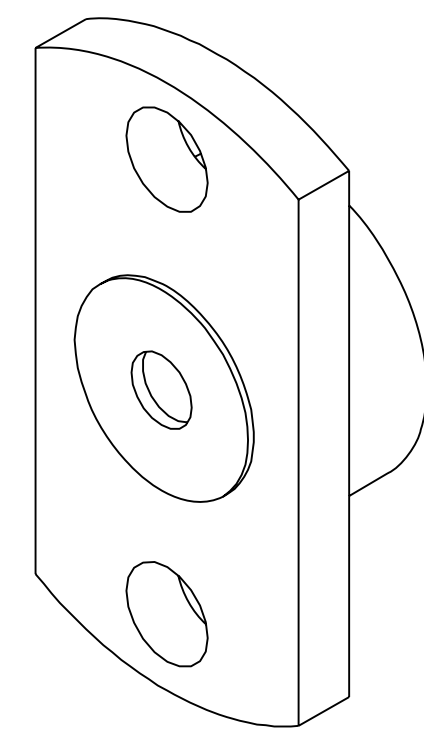
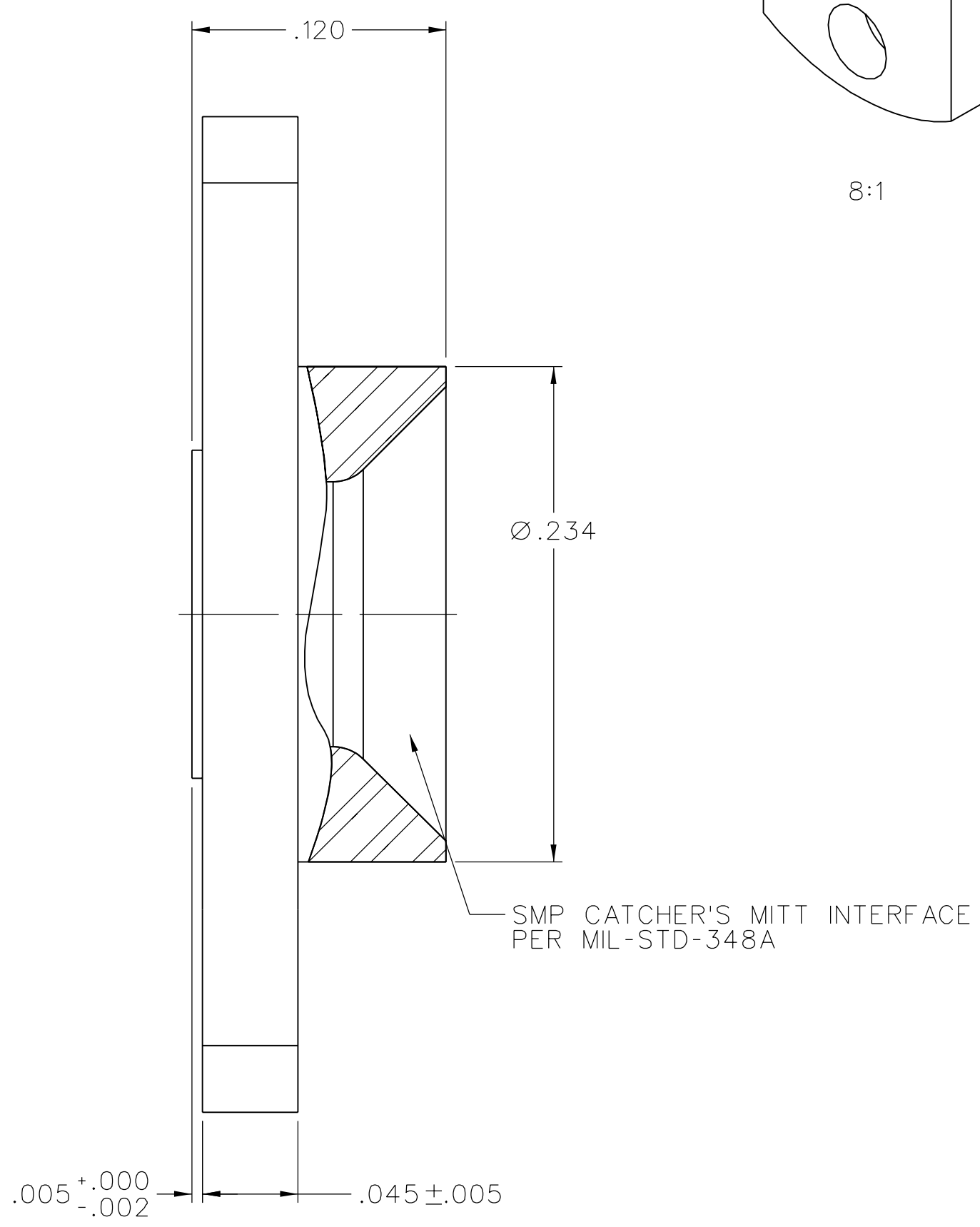
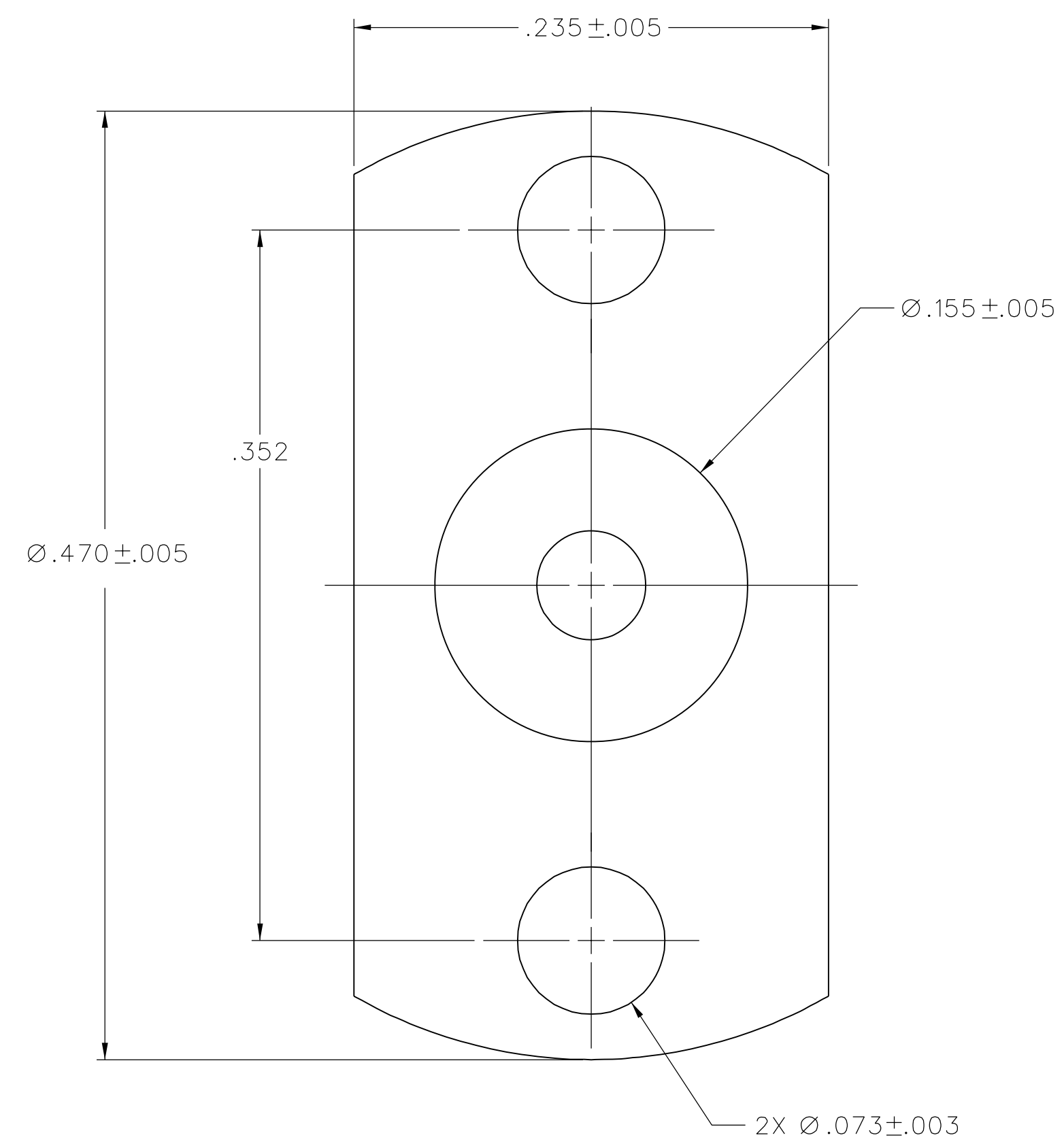


PART NUMBER	SHROUD MATERIAL
127-3701-602	STAINLESS STEEL PASSIVATED

DRAWING NO.		C - 127-3701-601/610	
0		REVISIONS	
ENGINEERING RELEASE			
1	1-10-07	PAT JRK PDW	MJU 2-17-07 ECN 50900
VERSION UPDATE			
***** * REVISION NUMBER FOLLOWED BY AN ALPHA * * CHARACTER INDICATES DRAWING CLARIFI- * * CATION OR PART NUMBER ADDITION ONLY. * *****			
1a	11-12-07	PAT JRK RBJ	MJU JCN 11-13-07 ECN 51293



8:1



NOTES:

1. SPECIFICATIONS:

INTERFACE DIMENSIONS: IN ACCORDANCE WITH MIL-STD-348A, SERIES SMP, CATCHER'S MITT
 CONTACT RESISTANCE: INITIAL 2.0 MILLIOHM MAX, AFTER ENVIRONMENTAL NOT APPLICABLE

MECHANICAL:

ENGAGEMENT FORCE: 2 POUNDS MAX
 DISENGAGEMENT FORCE: 0.5 POUNDS MIN
 DURABILITY: 1000 CYCLES MIN

ENVIRONMENTAL:


(MEETS OR EXCEEDS THE APPLICABLE PARAGRAPH OF DSCC DWG NO. 94007)
 OPERATING TEMPERATURE: -65°C TO 165°C
 THERMAL SHOCK: MIL-STD-202, METHOD 107, CONDITION B, EXCEPT 165°C HIGH TEMP
 CORROSION: MIL-STD-202, METHOD 101, CONDITION B
 VIBRATION, HIGH FREQUENCY: MIL-STD-202, METHOD 204, CONDITION D
 VIBRATION, RANDOM: MIL-STD-202, METHOD 214, CONDITION F

CUSTOMER DRAWING

THIS DRAWING TO BE INTERPRETED
 PER ASME Y 14.5M - 1994

"μ STATION"

COMPANY CONFIDENTIAL

TOLERANCE UNLESS OTHERWISE SPECIFIED		DRAWN BY	DATE	 Cinch <small>CONNECTIVITY SOLUTIONS</small> <small>a bel group</small>	Cinch Connectivity Solutions	
DECIMALS	mm	PAT	11-30-06		P.O. Box 1732	
.XX	_____	CHECKED BY	DATE	Waseca, MN 56093		
.XXX	REF _____	PDW	2-16-07	1-800-247-8256		
MATL	_____	APPROVED BY	DATE	TITLE		
		JRK	2-16-07	SMP CATCHER'S MITT FLANGE MOUNT SHROUD		
FINISH	_____	RELEASE DATE	2-17-07	SHEET	DRAWING NO.	
		U/M INCH	SCALE 15:1	2 OF 2	C - 127-3701-601/610	

X-ON Electronics

Largest Supplier of Electrical and Electronic Components

Click to view similar products for [RF Connector Accessories](#) category:

Click to view products by [Bel Fuse](#) manufacturer:

Other Similar products are found below :

[89674-0712](#) [F702RX24](#) [FERRULE-174](#) [R141802000](#) [R141805000](#) [R141842000](#) [R161862000](#) [R161862000W](#) [R280752000](#) [R280907000](#)
[R694261906](#) [RFI21-13](#) [RFI75-13-D2](#) [RFI75-4-D2](#) [AX102906](#) [AX102907](#) [18097-0013](#) [HP-375](#) [HP-500](#) [2098-0294-00](#) [2098-3251-94](#) [KA-](#)
[81-05](#) [89674-0805](#) [F1](#) [FERRULE-223](#) [202102-11](#) [213337-1](#) [220222-2](#) [24092671A](#) [24092678A](#) [R280468000](#) [R280510000](#) [R282862060](#)
[RFI155-1](#) [RFI25-12-D3](#) [RFI25-5](#) [RFI25-5-D3](#) [RFI75-12-D2](#) [RFI75-2-D2](#) [RFI75-4-D3](#) [RFI77-6](#) [360HS001M2508M6](#) [4-1532137-4](#) [5-21085-](#)
[0](#) [105274-1000](#) [111062-0490](#) [112122-SOD-LUG](#) [112-NUT-KNURL](#) [IPP-2014](#) [R280490020](#)