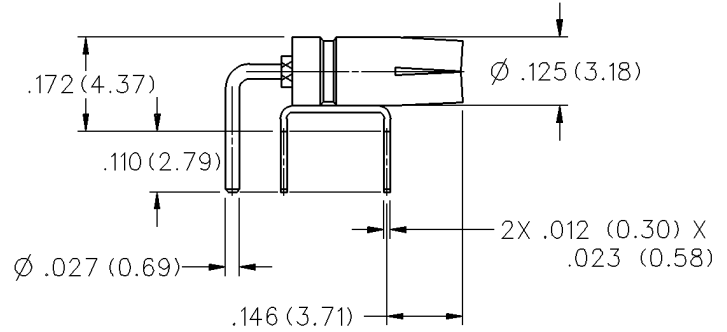


## Horizontal



TIN PLATED	GOLD PLATED
129-0701-301	129-0701-302

Mounting hole layout figure 18 page 202.

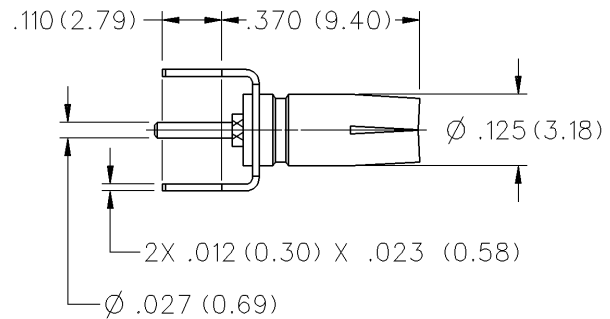


## Vertical



TIN PLATED	GOLD PLATED
129-0701-201	129-0701-202

Mounting hole layout figure 17 page 202.



### ELECTRICAL RATINGS

- Impedance:** 29 ohms
- Frequency Range:** 0 - 2 GHz
- Working Voltage:** 300 VRMS<sup>†</sup>
- Dielectric Withstanding Voltage:** 2000 VDC<sup>†</sup>
- Contact Resistance:** Center Contact: 6 milliohms  
Outer conductor: 2.5 milliohms

### MECHANICAL RATINGS

- Insertion Force:** Inner conductor: 32 oz. max. 2 oz. min.  
Outer conductor: 48 oz. max. 6 oz. min.
- Durability:** 250 cycles

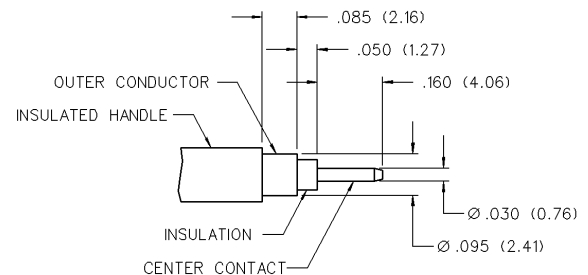
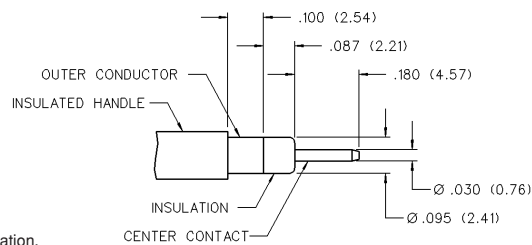
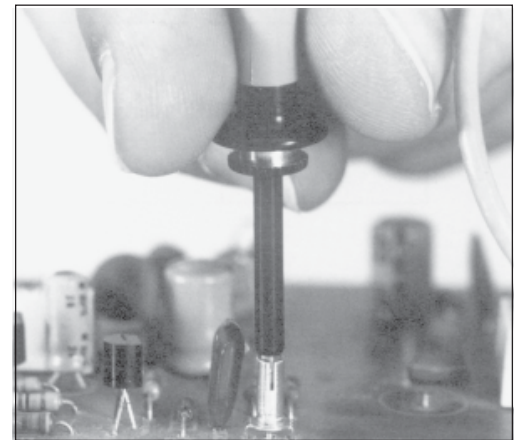
### ENVIRONMENTAL RATINGS

- Temperature Range:** -65° C to + 85° C
- Corrosion:** Salt spray, 24 hours
- Shock:** Method 213, Test Condition B, MIL-STD-202
- Vibration:** Method 204, Test Condition B, MIL-STD-202

### MATERIAL SPECIFICATIONS

- Contact:** Beryllium copper per QQ-C-533/530
- Insulator Material:** TFE Fluorocarbon per L-P-403
- Finish:** Center Contact and Body: Bright Tin or Gold

### SHIELDED TEST JACK INTERFACE - TYPICAL PROBE TYPE

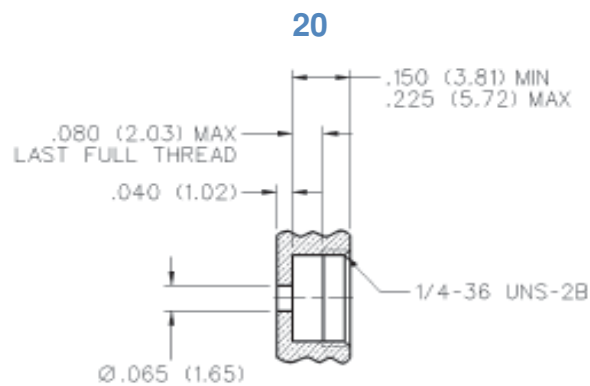
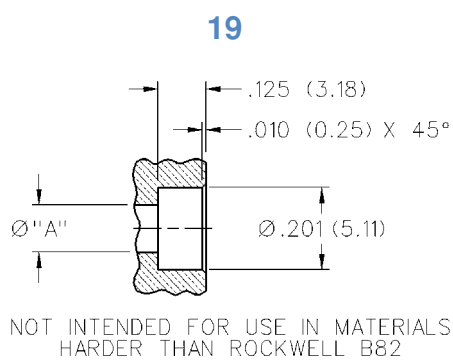
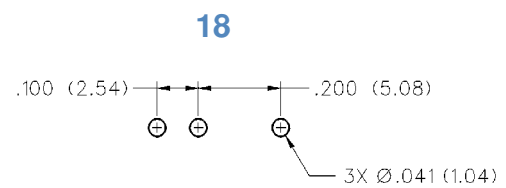
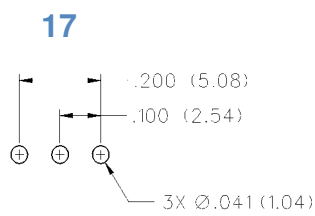
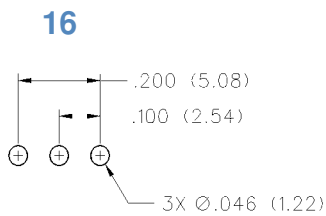
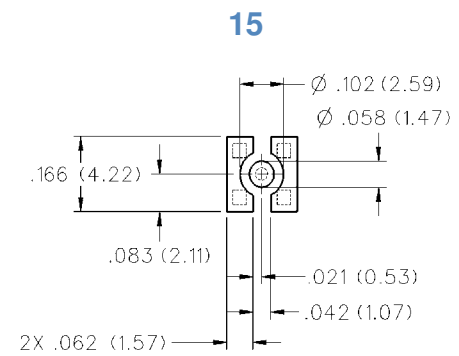
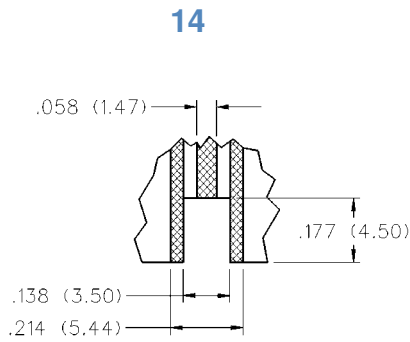
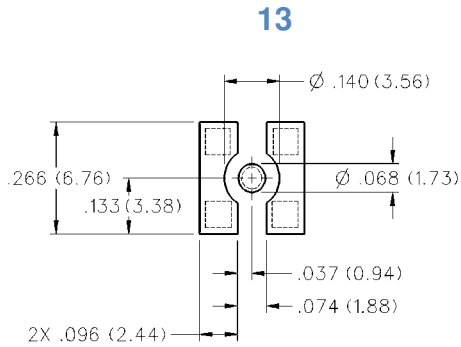


<sup>†</sup>Avoid user injury due to misapplication. See safety advisory definitions inside front cover.

# Mounting Hole Layouts

INCHES (MILLIMETERS) • CUSTOMER DRAWINGS AVAILABLE ON REQUEST

## Recommended Mounting Hole Dimensions



PART NO.	"A"
142-0701-481/486	.116 (2.95)
142-1721-001/026	.116 (2.95)
142-1721-031/056	.162 (4.11)
142-1721-011/016	.069 (1.75)
142-1721-021/026	.116 (2.95)

## X-ON Electronics

Largest Supplier of Electrical and Electronic Components

*Click to view similar products for [Test Plugs & Test Jacks](#) category:*

*Click to view products by [Bel Fuse](#) manufacturer:*

Other Similar products are found below :

[01-2601-4-0210](#) [01-2601-4-0212](#) [01-2604-4-0212](#) [01-2604-5-0210](#) [01-2150-1-0312](#) [01-2350-1-02](#) [01-2352-1-02](#) [01-2368-1-02](#) [01-2604-4-0210](#) [01-2604-5-0212](#) [01-2606-4-0210](#) [01-2606-4-0212](#) [01-2606-5-0212](#) [M39024/10-01G](#) [M39024/10-17G](#) [M39024/11-09G](#) [M39024/11-42](#) [M39024/11-43](#) [M39024/12-08](#) [707-5311](#) [707-5402-01-19](#) [707-5410](#) [923739-40-I](#) [R644543000](#) [R948161000](#) [R999351000](#) [1408-4](#) [1499-101](#) [1533-1](#) [1659559](#) [1659567](#) [1663921](#) [1663939](#) [1696-102](#) [174-R825B-EX](#) [NYS508-BU](#) [NYS508-O](#) [211-101](#) [RS100GBL](#) [RS250GBL](#) [251-102](#) [25-2251-2-03](#) [25-2259-2-03](#) [923743-16-I](#) [923743-24-I](#) [923743-28-I](#) [2854-BLU](#) [2970-BLK](#) [30-443G](#) [1680](#)