

NOTES: UNLESS OTHERWISE SPECIFIED.

1. MATERIAL & FINISH:

- 1.1 BODY & NUT: (131-9303-401) GOLD PLATED COPPER ALLOY
(131-9303-404) SILVER PLATED COPPER ALLOY
- 1.2 CRIMP SLEEVE: (131-9303-401) GOLD PLATED COPPER
(131-9303-404) SILVER PLATED COPPER
- 1.3 INSULATOR: PTFE (TEFLON)
- 1.4 CENTER CONTACT:
(131-9303-401) GOLD PLATED COPPER ALLOY
(131-9303-404) SILVER PLATED COPPER ALLOY
- 1.5 LOCK WASHER: (131-9303-401) GOLD PLATED PHOSPHOR BRONZE
(131-9303-404) SILVER PLATED PHOSPHOR BRONZE

2. ELECTRICAL SPECIFICATIONS:

- 2.1 IMPEDANCE: 50 OHMS
- 2.2 FREQUENCY RANGE: 0 - 4 GHz
- 2.3 VSWR: $1.25 \pm .04$ F (F IN GHz) (50 OHM CABLE ONLY)
- 2.4 WORKING VOLTAGE: 335 VRMS MAX AT SEA LEVEL
- 2.5 DIELECTRIC WITHSTANDING VOLTAGE: 1000 VRMS MIN AT SEA LEVEL
- 2.6 INSULATION RESISTANCE: 1000 MEGOHM MIN
- 2.7 CONTACT RESISTANCE:
 CENTER CONTACT - INITIAL 6 MILLIOHM MAX, AFTER ENVIRONMENTAL 8 MILLIOHM MAX
 OUTER CONDUCTOR - INITIAL 1 MILLIOHM MAX, AFTER ENVIRONMENTAL 1.5 MILLIOHM MAX
 BRAID TO BODY - INITIAL 1 MILLIOHM MAX, AFTER ENVIRONMENTAL NOT APPLICABLE
- 2.8 CORONA LEVEL: 250 VOLTS MIN AT 70,000 FEET
- 2.9 INSERTION LOSS: .30 dB MAX AT 1.5 GHz (50 OHM CABLE ONLY)
- 2.10 RF LEAKAGE: -55 dB MIN AT 2.5 GHz (50 OHM CABLE ONLY)
- 2.11 RF HIGH POTENTIAL WITHSTANDING VOLTAGE: 700 VRMS AT 4 AND 7 MHz

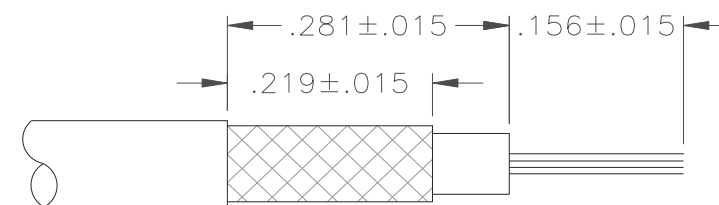
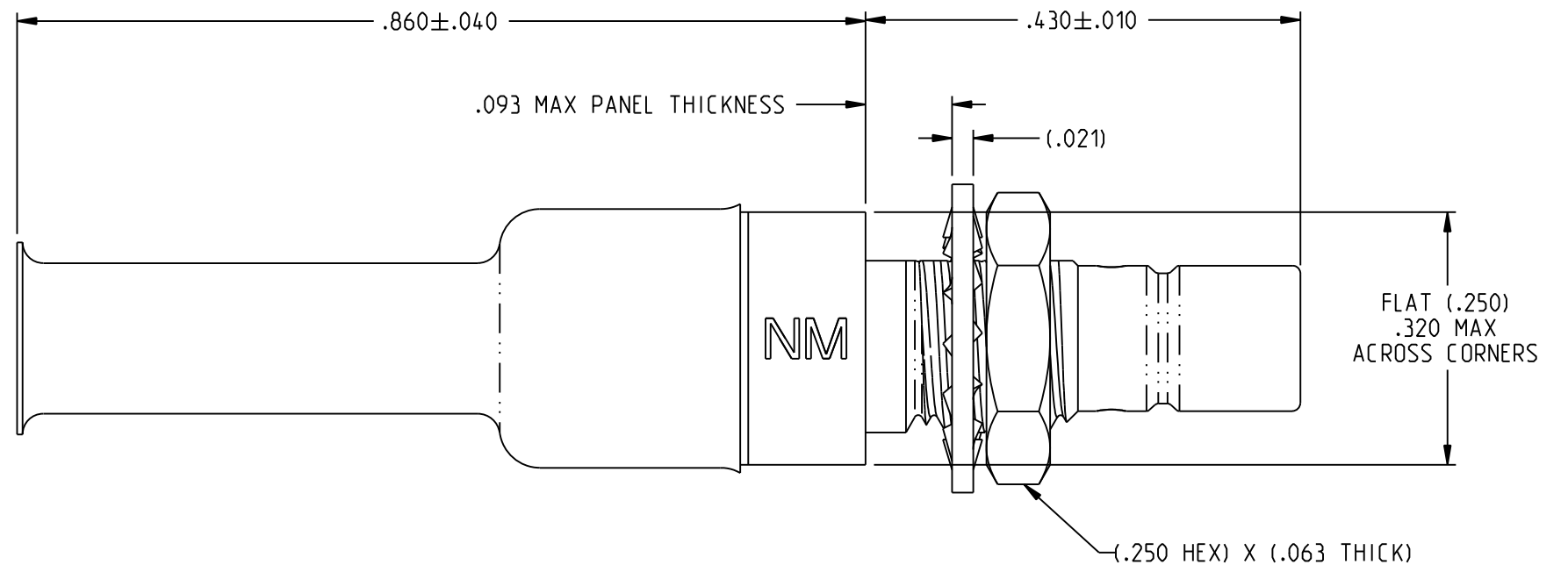
3. MECHANICAL SPECIFICATIONS:

- 3.1 ENGAGE/DISENGAGE FORCE: 14 LBS MAX, AFTER DURABILITY 14 LBS MAX ENGAGEMENT / 2 LBS MIN DISENGAGEMENT
- 3.2 CONTACT RETENTION : 4 LBS MIN AXIAL FORCE
- 3.3 CABLE ACCEPTABILITY: RG 188/U, RG 316/U, RG 179/U, RG 174/U, RG 161/U, RG 187/U
- 3.4 CABLE HEX CRIMP SIZE: 128
- 3.5 CONTACT CRIMP TOOL: P/N 141-0000-911
- 3.6 CABLE RETENTION: 20 LBS MIN OR CABLE BREAKING STRENGTH
- 3.7 DURABILITY: 500 CYCLES MIN

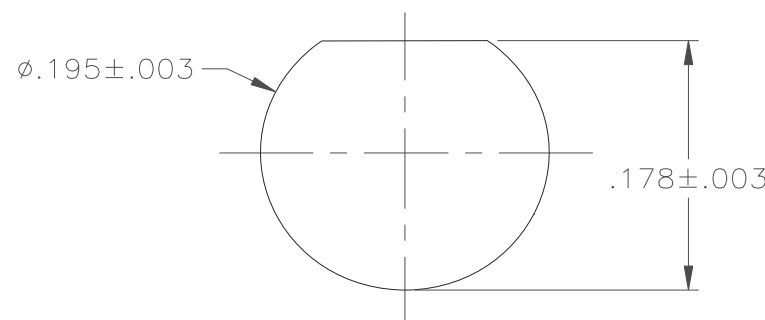
4. ENVIRONMENTAL:

- 4.1 (MEETS OR EXCEEDS THE APPLICABLE PARAGRAPH OF MIL-PRF-39012)
- 4.2 THERMAL SHOCK: MIL-STD-202, METHOD 107, CONDITION B
- 4.3 OPERATING TEMPERATURE: -65 DEG C TO 165 DEG C
- 4.4 CORROSION: MIL-STD-202, METHOD 101, CONDITION B
- 4.5 SHOCK: MIL-STD-202, METHOD 213, CONDITION B
- 4.6 VIBRATION: MIL-STD-202, METHOD 204 CONDITION B

5. CONNECTOR MARKED "NM" FOR NON-MAGNETIC.



CABLE STRIP DIMENSIONS



MOUNTING HOLE LAYOUT

		JOHNSON	
	RoHS2 2011/65/EU	Title: JACK ASSY STR CABLED BULKHEAD SMB, RG 316 NON-MAGNETIC MCX	
This PROPRIETARY Document is property of Cinch Connectivity Solutions. It is confidential in nature, non-transferable, and issued with the clear understanding that it is not to be traced or copied without permission and is returnable upon demand.		Model No.	131-9303-401/410
INTERPRET DRAWING IN ACCORDANCE WITH ASME Y14.5-2009.		Size B	DO NOT SCALE DRAWING
		Date	8/05/2016
		Sheet	1 OF 1

X-ON Electronics

Largest Supplier of Electrical and Electronic Components

Click to view similar products for [RF Connectors / Coaxial Connectors](#) category:

Click to view products by [Bel Fuse](#) manufacturer:

Other Similar products are found below :

[8915-1511-000](#) [89674-0827](#) [6001-7071-019](#) [6002-7051-003](#) [6002-7551-202](#) [6059674-1](#) [619550-1](#) [630059-000](#) [M39030/3-01N](#) [6500-7071-046](#) [6769](#) [CX050L2AQ](#) [7002-1541-010](#) [7002-1542-011](#) [7004-1512-000](#) [7009-1511-004](#) [7010-1511-000](#) [7029-1511-060](#) [7101-1541-010](#) [7101-1571-002](#) [7145-1521-002](#) [7203-1571-003](#) [7209-1511-011](#) [7210-1511-015](#) [7210-1511-019](#) [73137-5015](#) [73216-2241](#) [73404-2300](#) [7405-1521-005](#) [7405-1521-802](#) [8527](#) [8547](#) [FS11V](#) [877931](#) [8808-1511-001](#) [9049-9513-000](#) [9074-9513-000](#) [9101-9573-002](#) [910A205F](#) [9130-9573-002](#) [PL11SC-026](#) [PL375-33](#) [PL40-5](#) [PL74C-221](#) [PL75MC-217](#) [PL803-7](#) [1200690078](#) [1-201144-1](#) [R107003010W](#) [R110A172100](#)