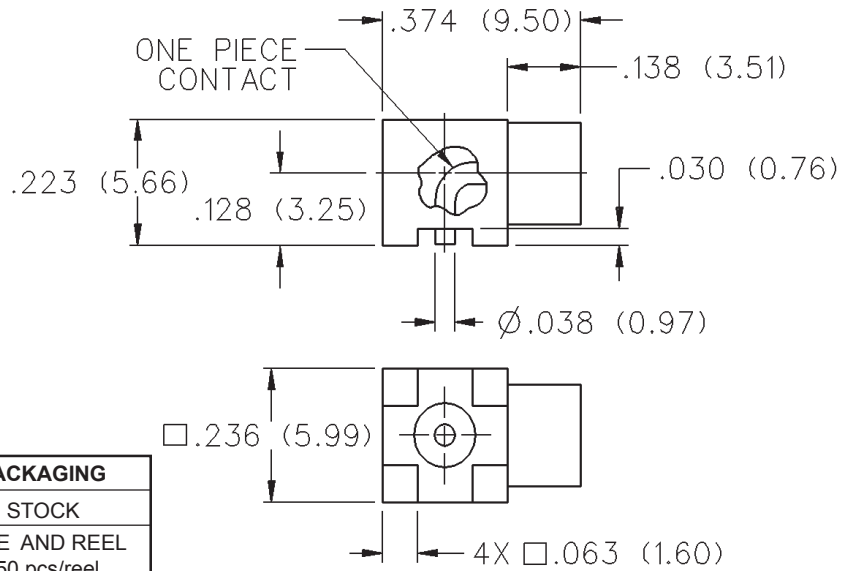


# MCX 50 Ohm Right Angle Jack Receptacle - Surface Mount

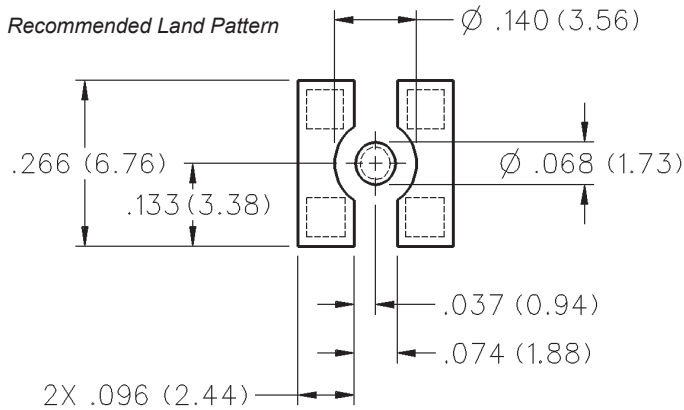


INCHES (MILLIMETERS)  
CUSTOMER DRAWINGS AVAILABLE UPON REQUEST



| GOLD PLATED  | TIN PLATED   | PACKAGING                     |
|--------------|--------------|-------------------------------|
| 133-3711-301 | 133-3711-307 | STOCK                         |
| 133-3711-302 | 133-3711-308 | TAPE AND REEL<br>750 pcs/reel |

Tape and Reel .472 (12.0) component pitch X .945 (24.0) wide.



# MCX - 50 Ohm Connectors



## Specifications

### ELECTRICAL RATINGS

**Impedance:** 50 Ohms

**Frequency Range:** Connectors ..... 0-6 GHz  
 Dummy loads ..... 0-1 GHz

**VSWR:** (f = GHz)

|                                   | Straight Cabled Connectors | Right Angle Cabled Connectors |
|-----------------------------------|----------------------------|-------------------------------|
| RG-178 cable                      | 1.17 + .04f                | 1.07 + .06f                   |
| RG-316 and .086 semi-rigid cable  | 1.13 + .04f                | 1.07 + .04f                   |
| Adapters                          |                            | 1.13 + .04f                   |
| Uncabled receptacles, Dummy loads |                            | N/A                           |

**Working Voltage:** (Vrms maximum)<sup>†</sup>

| Connectors for Cable Type                              | Sea Level | 70K Feet |
|--|-----------|----------|
| RG-178   | 250       | 65       |
| RG-316, .086 semi-rigid uncabled receptacles, adapters | 335       | 85       |
| Dummy loads  |           | N/A      |

**Dielectric Withstanding Voltage:** (VRMS minimum at sea level)

|  |      |
|--|------|
| Connectors for RG-178  | 750  |
| Connectors for RG-316, .086 semi-rigid, uncabled receptacles, adapters | 1000 |
| Dummy loads  | N/A  |

**Corona Level:** (Volts minimum at 70,000 feet)

|   |     |
|---|-----|
| Connectors for RG-178   | 190 |
| Connectors for RG-316, .086 semi-rigid uncabled receptacles, adapters | 250 |
| Dummy loads   | N/A |

**Insertion Loss:** (dB maximum, tested at 1 GHz)

|  |        |
|--|--------|
| Straight cable connectors and adapters | 0.1 dB |
| Right angle cable connectors           | 0.2 dB |
| Uncabled receptacles, dummy loads      | N/A    |

**Insulation Resistance:** 10,000 megohms minimum

**Contact Resistance:** (milliohms maximum)

|  | Initial | After Environmental |
|--|---------|---------------------|
| Center contact (straight cabled connectors, uncabled receptacles and adapters) | 5.0     | 8.0                 |
| Center contact (right angle cabled connectors)                                 | 5.0     | 15.0                |
| Outer contact  | 1.0     | 1.5                 |
| Braid to body (gold plated connectors)   | 1.0     | N/A                 |
| Braid to body (nickel plated connectors)                                       | 2.5     | N/A                 |

**RF Leakage:** (dB typical tested at 2.5 GHz)

|  |        |
|--|--------|
| Cable connectors                               | -55 dB |
| Uncabled receptacles and adapters, dummy loads | N/A    |

**RF High Potential Withstanding Voltage:** (Vrms minimum, tested at 4 and 7 MHz)

|                                   |     |
|-----------------------------------|-----|
| Connectors for RG178              | 500 |
| Connectors for RG316 and adapters | 700 |
| .086 semi-rigid                   | 670 |
| Uncabled receptacles              | 600 |
| Dummy loads                       | N/A |

**Power Rating (Dummy Load):** 0.5 watt @ +25°C, derated to 0.25 watt @ +125°C

### MECHANICAL RATINGS

**Engagement Design:** Compatible with CECC 22220, Series MCX

**Engagement Force:** 5.6 pounds maximum axial force

**Disengagement Force:** 8 pounds maximum axial force, 1 pound min.

**Contact Retention:** 2.3 pounds min. axial force (captivated contacts)  
 1 inch-ounce min. torque (uncabled receptacles)

**Cable Retention:**

|                                | Axial Force* (pounds) | Torque (in-oz) |
|--------------------------------|-----------------------|----------------|
| Connectors for RG178           | 10                    | N/A            |
| Connectors for RG316           | 20                    | N/A            |
| Connectors for RG316DS         | 25                    | N/A            |
| Connectors for .086 semi-rigid | 30                    | 16             |

\* or cable breaking strength whichever is less.

**ENVIRONMENTAL RATINGS (Meets or exceed the applicable paragraph of MIL-C-39012)** Durability: 500 cycles minimum

**Temperature Range:** Connectors ..... - 65°C to + 165°C  
 Dummy loads ..... - 65°C to + 125°C

**Thermal Shock:** MIL-STD-202, Method 107, Condition F (N/A dummy loads)

**Corrosion:** MIL-STD-202, Method 101, Condition B (N/A dummy loads)

**Shock:** MIL-STD-202, Method 213, Condition B (N/A dummy loads)

**Vibration:** MIL-STD-202, Method 204, Condition B (N/A dummy loads)

**Moisture Resistance:** MIL-STD-202, Method 106 (N/A dummy loads)

### MATERIAL SPECIFICATIONS

**Bodies:** Brass per QQ-B-626 or zinc per ASTM B86-71, gold plated\*\* per MIL-G-45204 .00001" min or nickel plated per QQ-N-290 or bright tin plated

**Contacts:** Male - brass per QQ-B-626, gold plated per MIL-G-45204 .00003" min.

Female - beryllium copper per QQ-C-530, gold plated per MIL-G-45204 .00003" min.

**Insulators:** PTFE fluorocarbon per ASTM D 1710 and ASTM D 1457

**Expansion Caps:** Brass per QQ-B-613, gold plated per MIL-G-45204 .00001" min. or nickel plated per QQ-N-290

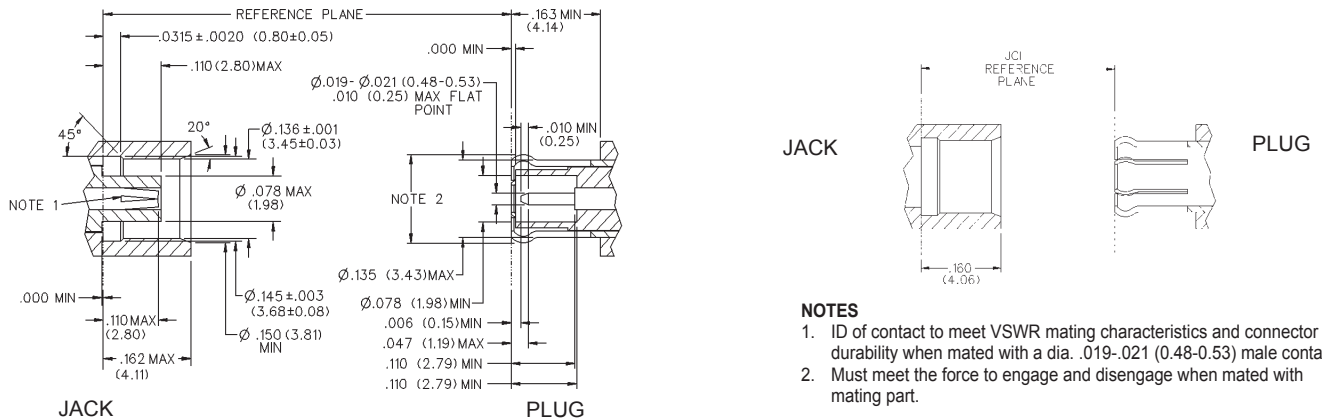
**Crimp Sleeves:** Copper per WW-T-799, gold plated per MIL-G-45204 .00001" min. or nickel plated per QQ-N-290

**Mounting Hardware:** Brass (nuts) per QQ-B-626 or phosphor bronze (lockwashers) QQ-B-750, gold plated per MIL-G-45204 .00001" min. or nickel plated per QQ-N-290

Avoid user injury due to misapplication. See safety advisory definitions on page 2.

\*\* All gold plated parts include a .00005" min. nickel underplate barrier layer.

### MATING ENGAGEMENT FOR MCX SERIES COMPATIBLE WITH CECC 22220



## X-ON Electronics

Largest Supplier of Electrical and Electronic Components

*Click to view similar products for [RF Connectors / Coaxial Connectors](#) category:*

*Click to view products by [Bel Fuse](#) manufacturer:*

Other Similar products are found below :

[8915-1511-000](#) [89674-0827](#) [6001-7071-019](#) [6002-7051-003](#) [6002-7551-202](#) [6059674-1](#) [619550-1](#) [630059-000](#) [M39030/3-01N](#) [6500-7071-046](#) [6769](#) [CX050L2AQ](#) [7002-1541-010](#) [7002-1542-011](#) [7004-1512-000](#) [7009-1511-004](#) [7010-1511-000](#) [7029-1511-060](#) [7101-1541-010](#) [7101-1571-002](#) [7145-1521-002](#) [7203-1571-003](#) [7209-1511-011](#) [7210-1511-015](#) [7210-1511-019](#) [73137-5015](#) [73216-2241](#) [73404-2300](#) [7405-1521-005](#) [7405-1521-802](#) [8527](#) [8547](#) [FS11V](#) [877931](#) [9049-9513-000](#) [9074-9513-000](#) [9101-9573-002](#) [910A205F](#) [9130-9573-002](#) [PL11SC-026](#) [PL375-33](#) [PL40-5](#) [PL74C-221](#) [PL75MC-217](#) [PL803-7](#) [980-8666-005](#) [1200690078](#) [1-201144-1](#) [R107003010W](#) [R110A172100](#)