

FIG 1

COVER TAPE DOT ON TOP OF CONNECTORS

NOTES: UNLESS OTHERWISE SPECIFIED.

1. MATERIAL & FINISH:

- 1.1 BODY: (133-9711-201 & -202) GOLD PLATED COPPER ALLOY
(133-9711-204 & 205) SILVER PLATED COPPER ALLOY
- 1.3 INSULATOR: PTFE (TEFLON)
- 1.4 CENTER CONTACT: (133-9711-201 & -202) GOLD PLATED BERYLLIUM COPPER
(133-9711-204 & 205) SILVER PLATED BERYLLIUM COPPER

2. ELECTRICAL SPECIFICATIONS:

- 2.1 IMPEDANCE: 50 OHMS
- 2.2 FREQUENCY RANGE: 0 - 6 GHz
- 2.3 WORKING VOLTAGE: 335 VRMS MAX AT SEA LEVEL
- 2.4 DIELECTRIC WITHSTANDING VOLTAGE: 1000 VRMS MIN AT SEA LEVEL
- 2.5 INSULATION RESISTANCE: 1000 MEGOHM MIN
- 2.6 CONTACT RESISTANCE:
 CENTER CONTACT - INITIAL 5 MILLIOHM MAX, AFTER ENVIRONMENTAL 8 MILLIOHM MAX
 OUTER CONDUCTOR - INITIAL 1 MILLIOHM MAX, AFTER ENVIRONMENTAL 1.5 MILLIOHM MAX
- 2.7 CORONA LEVEL: 250 VOLTS MIN AT 70,000 FEET
- 2.8 RF HIGH POTENTIAL WITHSTANDING VOLTAGE: 600 VRMS AT 4 AND 7 MHz

3. MECHANICAL SPECIFICATIONS:

- 3.1 ENGAGE/DISENGAGE FORCE: 5.6 LBS MAX ENGAGEMENT
1.0/8.0 LBS MIN/MAX DISENGAGEMENT
- 3.2 CONTACT RETENTION FORCE: 2.0 LBS MIN
- 3.3 DURABILITY: 500 CYCLES MIN

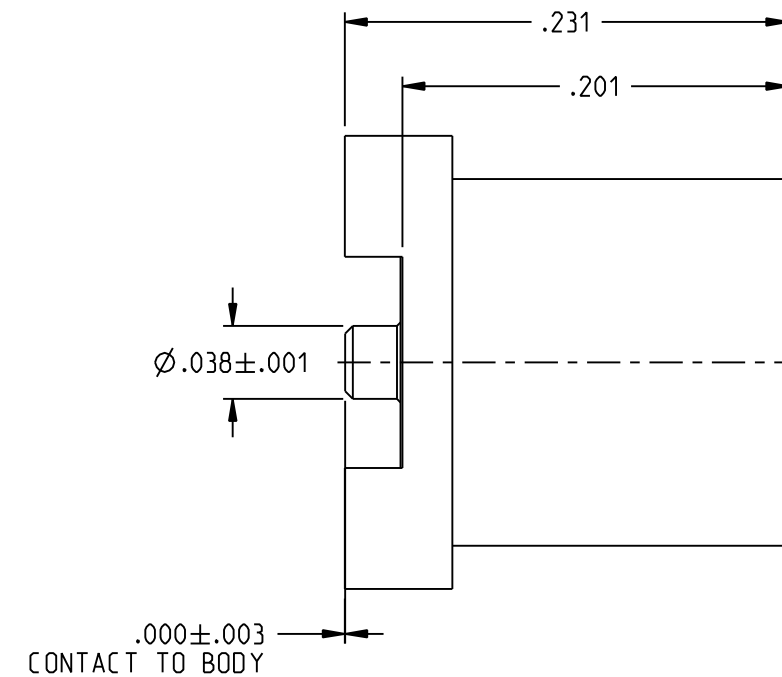
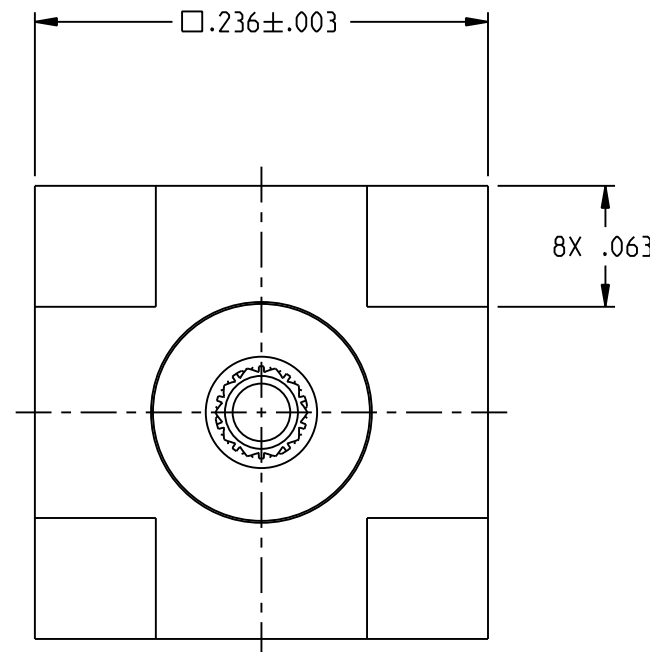
4. ENVIRONMENTAL:

- 4.1 (MEETS OR EXCEEDS THE APPLICABLE PARAGRAPH OF MIL-PRF-39012)
- 4.2 THERMAL SHOCK: MIL-STD-202, METHOD 107, CONDITION F
- 4.3 OPERATING TEMPERATURE: -65 DEG C TO 165 DEG C
- 4.4 CORROSION: MIL-STD-202, METHOD 101, CONDITION B
- 4.5 SHOCK: MIL-STD-202, METHOD 213, CONDITION B
- 4.6 VIBRATION: MIL STD-202, METHOD 204 CONDITION B
- 4.7 MOISTURE : MIL STD-202, METHOD 106

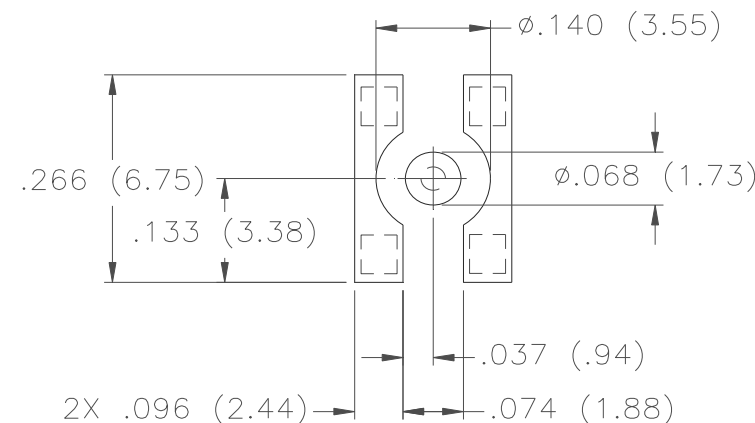
5. PACKAGING:

- 5.1 133-9711-201 & -204: BAGGED
- 5.2 133-9711-202 & -205: TAPE AND REEL PACKAGED, 750 PIECES PER REEL,
16MM X 12MM PITCH TAPE WITH COVER TAPE DOT PER FIG. 1.

6. CONNECTOR MARKED "NM" FOR NON-MAGNETIC.



RECOMMENDED SOLDER LAND PATTERN*



*NOTE: THIS PATTERN IS FOR REFERENCE ONLY. PATTERN MAY VARY DEPENDING ON ASSEMBLY PROCESS, BOARD TYPE, OR SPECIFIC ELECTRICAL OR MECHANICAL REQUIREMENTS.

	30° ANGLE PROJECTION	JOHNSON	
	This PROPRIETARY Document is property of Cinch Connectivity Solutions. It is confidential in nature, non-transferable, and issued with the clear understanding that it is no traced or copied without permission and is returnable upon demand. INTERPRET DRAWING IN ACCORDANCE WITH ASME Y14.5-2009.	RoHS2 <input checked="" type="checkbox"/> 2011/65/EU UNLESS OTHERWISE SPECIFIED UNITS: INCH .XX ± .02 .XXX ± .005 ANGLES ± 2°	Title: JACK ASSY STRAIGHT SURFACE MOUNT NON-MAGNETIC, MCX Model No.: 133-9711-201/210

X-ON Electronics

Largest Supplier of Electrical and Electronic Components

Click to view similar products for [RF Connectors / Coaxial Connectors](#) category:

Click to view products by [Bel Fuse](#) manufacturer:

Other Similar products are found below :

[8915-1511-000](#) [89674-0827](#) [6001-7071-019](#) [6002-7051-003](#) [6002-7551-202](#) [6059674-1](#) [619550-1](#) [630059-000](#) [M39030/3-01N](#) [6500-7071-046](#) [6769](#) [CX050L2AQ](#) [7002-1541-010](#) [7002-1542-011](#) [7004-1512-000](#) [7009-1511-004](#) [7010-1511-000](#) [7029-1511-060](#) [7101-1541-010](#) [7101-1571-002](#) [7145-1521-002](#) [7203-1571-003](#) [7209-1511-011](#) [7210-1511-015](#) [7210-1511-019](#) [73137-5015](#) [73216-2241](#) [73404-2300](#) [7405-1521-005](#) [7405-1521-802](#) [8527](#) [8547](#) [FS11V](#) [877931](#) [8808-1511-001](#) [9049-9513-000](#) [9074-9513-000](#) [9101-9573-002](#) [910A205F](#) [9130-9573-002](#) [PL11SC-026](#) [PL375-33](#) [PL40-5](#) [PL74C-221](#) [PL75MC-217](#) [PL803-7](#) [1200690078](#) [1-201144-1](#) [R107003010W](#) [R110A172100](#)