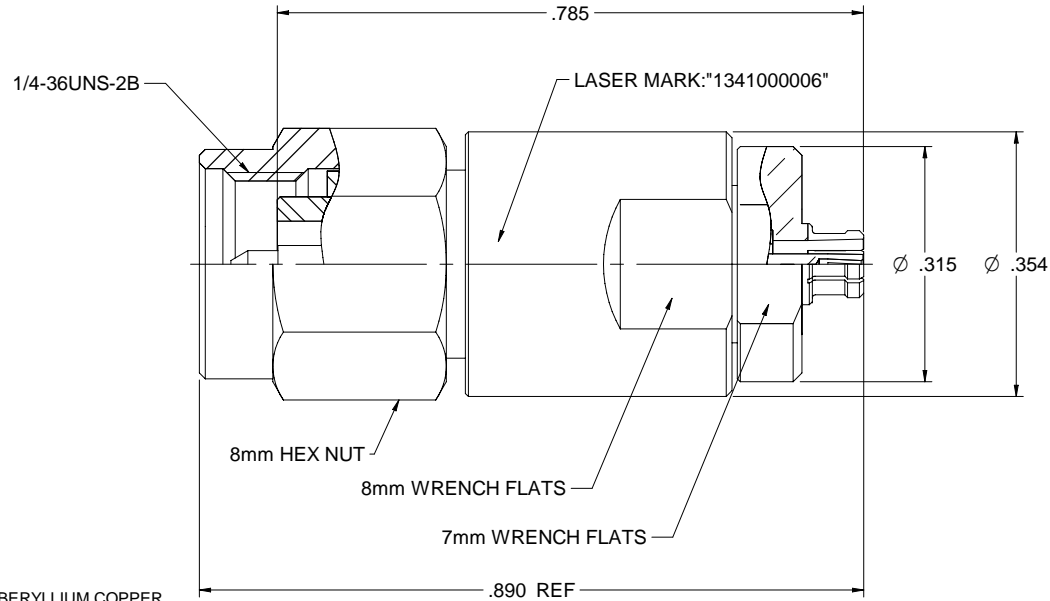


MODEL NO.	PACKAGING
134-1000-006	ONE PCS PER BAG

REV	ECO	DATE
001	ECO-17-002	11/28/2017
002	ECO-18-003	08/21/2018



NOTES: UNLESS OTHERWISE SPECIFIED

1. MATERIAL & FINISH:
 - 1.1 BODY & SHELL: PASSIVATED STAINLESS STEEL
 - 1.2 CONTACT PIN & CONTACT BODY: GOLD PLATED BERYLLIUM COPPER
 - 1.3 INSULATOR1: ULTEM1000 AMBER
 - 1.4 INSULATOR2: PTFE WHITE
 - 1.5 C RING: BERYLLIUM COPPER
 - 1.6 GASKET: SILICONE RED
2. ELECTRICAL:
 - 2.1 IMPEDANCE: 50 OHMS
 - 2.2 FREQUENCY RANGE: DC-40 GHZ
 - 2.3 VOLTAGE STANDING WAVE RATIO: 1.3 MAX
 - 2.4 DIELECTRIC WITHSTANDING VOLTAGE: 325 VRMS MIN
 - 2.5 CONTACT RESISTANCE:
 - 2.5.1 CENTER CONTACT: 6 MILLIOHM MAX
 - 2.5.2 OUTER CONTACT: 2 MILLIOHM MAX
 - 2.6 INSULATOR RESISTANCE: 5000 MEGOHM MIN
3. MECHANICAL:
 - 3.1 ENGAGEMENT FORCE: 0.23 NM MAX (2.92MM)
FULL DETENT 19 N MAX, SMOOTH BORE 11 N MAX (SMPM)
 - 3.2 DISENGAGEMENT FORCE: 0.23 NM MAX (2.92MM)
FULL DETENT 29 N MAX, SMOOTH BORE 11N MAX (SMPM)
 - 3.3 COUPLING PROOF TORQUE: 1.7 NM MIN.(2.92MM)
 - 3.4 COUPLING NUT RETENTION: 267N MIN
 - 3.5 CONTACT RETENTION: 22 N MIN
 - 3.6 DURABILITY: 500 CYCLES MIN (2.92MM)
FULL DETENT 100 CYCLES MIN, SMOOTH BORE 500 CYCLES MIN (SMPM)
4. ENVIRONMENT:
 - 4.1 THERMAL SHOCK: MIL-STD-202, METHOD 107, CONDITION B.
 - 4.2 OPERATING TEMPERATURE: -65 TO 165°C
 - 4.3 SHOCK: MIL-STD-202, METHOD 213, CONDITION I
 - 4.4 VIBRATION: MIL-STD-202, METHOD 204, CONDITION D
 - 4.5 MOISTURE RESISTANCE: MIL-STD-202, METHOD 106

	Model No. 134-1000-006	Johnson	
	RoHS2 2011/65/EU COMPLIANT	Title: ADAPTER ASSEMBLY, 2.92mm(SMK) PLUG TO SMPM JACK	
XXXX-02 XXXX-01 ANGLES: 45°	Date: 08/21/2018 Design By: Betty Yu	Drawing No. 134-1000-006 Size: C Do Not Scale Drawings	Rev. 002 Material: NONE Sheet 1 of 1

X-ON Electronics

Largest Supplier of Electrical and Electronic Components

Click to view similar products for [RF Adapters - Between Series category:](#)

Click to view products by [Bel Fuse manufacturer:](#)

Other Similar products are found below :

[5945-9503-000](#) [MCX/F-SMA/M](#) [R192417010](#) [ADBJ20-E1-BJ379](#) [ADM2](#) [ADPL75-A1-PL75](#) [242191](#) [9317505](#) [29-3835P](#) [AD130](#) [ADBJ20-E1-PL74](#) [ADBJ20-E2-BJ79](#) [ADBJ77-E1-UPL20](#) [ADRMF370](#) [242215](#) [242228](#) [R125680000W](#) [R192430000](#) [UAD95](#) [1057367-1](#) [8311505](#) [R114704000](#) [R451034500](#) [R451030500](#) [R451543000](#) [HDVDPN](#) [ADBJ20-K1-PL20](#) [R451570000](#) [R192419000](#) [R451034000](#) [J9](#) [J3WE-5](#) [R451032500](#) [242201RP](#) [17K132-K00S5](#) [AD-RSMAF-RTNC](#) [53K156-K00N5](#) [02K119-K00E3](#) [29S132-K01N5](#) [53S156-K00N5](#) [02S119-S00E3](#) [28K132-K00N5](#) [02S109-K00S3](#) [27-8200TP](#) [242235](#) [ADBJ20-E1-BJ89](#) [000-2900](#) [321-102-003 \(SMA-50/2-H155/W1.03 AU\)](#) [1057377-1](#) [321-350-001 \(SMA-50-R/2-RG316/N2.01\)](#)