

PART NUMBER
134-1000-033

REV	ECO	DATE
1	INITIAL RELEASE	04SEP2020

NOTES:

1. MATERIAL AND FINISH:

- 1.1 BODY: STAINLESS STEEL, PASSIVATED
BERYLLIUM COPPER, GOLD PLATE
- 1.2 CONTACT: BERYLLIUM COPPER, GOLD PLATE
- 1.3 INSULATOR: ULTEM 1000, AMBER
- 1.4 GASKET: SILICONE, RED

2. ELECTRICAL SPECIFICATIONS:

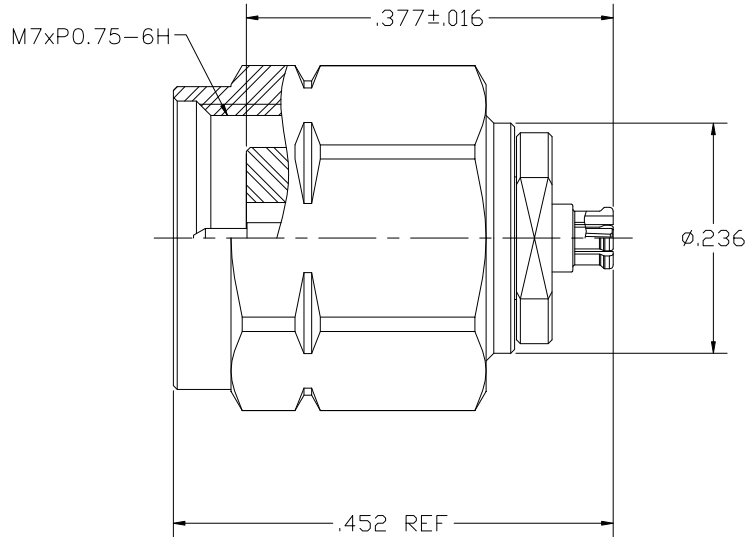
- 2.1 IMPEDANCE: 50 OHMS NOMINAL
- 2.2 FREQUENCY RANGE: DC~67 GHz
- 2.3 VSWR: 1.30 MAX
- 2.4 DIELECTRIC WITHSTANDING VOLTAGE: 250 VRMS MIN
- 2.5 INSULATION RESISTANCE: 3500 MEGOHM MIN
- 2.6 CONTACT RESISTANCE:
 - 2.6.1 CENTER CONTACT - 6.0 MILLIOHM MAX
 - 2.6.2 OUTER CONDUCTOR - 2.0 MILLIOHM MAX



3. MECHANICAL SPECIFICATIONS:

- 3.1 ENGAGE/DISENGAGE FORCE: 0.23 Nm MAX (1.85MM)
2.5 LBS MAX/4.5 LBS MAX (SMP3 FULL DETENT)
1.2 LBS MAX/1 LBS MAX (SMP3 SMOOTH BORE)
- 3.2 COUPLING NUT RETENTION: 267 N MIN
- 3.3 COUPLING PROOF TORQUE: 1.65 Nm MIN
- 3.4 CONTACT RETENTION: 20 N MIN
- 3.5 DURABILITY: 500 CYCLES MIN (1.85MM)
100 CYCLES MIN (SMP3 FULL DETENT)
500 CYCLES MIN (SMP3 SMOOTH BORE)

4. ENVIRONMENTAL:

- (MEETS OR EXCEEDS THE APPLICABLE PARAGRAPH OF MIL-PRF-39012)
- 4.1 THERMAL SHOCK: MIL-STD-202, METHOD 107, CONDITION B
 - 4.2 OPERATING TEMPERATURE: -65°C TO 165°C
 - 4.3 MOISTURE RESISTANCE: MIL-STD-202, METHOD 106
 - 4.4 MECHANICAL SHOCK: MIL-STD-202, METHOD 213, CONDITION I
 - 4.5 VIBRATION: MIL-STD-202, METHOD 204, CONDITION D



 <p>This PROPRIETARY Document is property of Cinch Connectivity Solutions. It is confidential in nature, non-transferable, and leased with the clear understanding that it is not traced or copied without permission and is returnable upon demand.</p> <p>INTERPRET DRAWING IN ACCORDANCE WITH ASME Y14.5-2009.</p>	Model No: 134-1000-033	JOHNSON			
	RoHS <input checked="" type="checkbox"/> (EU)/2015/863 COMPLIANT	Cage Code	Title: ADAPTER ASSEMBLY, 1.85MM MALE TO SMP3 FEMALE		
	UNLESS OTHERWISE SPECIFIED UNITS: INCH	3RD ANGLE PROJECTION 	Drawing No. 134-1000-033	REV. 1	
	.XXX±.008 .XXX±.004 ANGLES±5°	Drawn by: TOMMY REN Date: 09/04/2020	Size B	DO NOT SCALE DRAWING	Workmanship Std: NONE

X-ON Electronics

Largest Supplier of Electrical and Electronic Components

Click to view similar products for [RF Adapters - Between Series category:](#)

Click to view products by [Bel Fuse manufacturer:](#)

Other Similar products are found below :

[ADM2](#) [ADPL75-A1-PL75](#) [242191](#) [9317505](#) [AD130](#) [ADBJ20-E1-PL74](#) [ADBJ20-E2-BJ79](#) [ADBJ77-A1-PL375](#) [ADBJ77-E1-UPL20](#)
[ADRMF370](#) [242190](#) [242215](#) [242228](#) [25-7580TP](#) [R125680000W](#) [R921391000](#) [HRM.J-ML51.J-A](#) [1057367-1](#) [8311505](#) [R114704000](#)
[R451034500](#) [R451030500](#) [R451543000](#) [HDVDPN](#) [R451570000](#) [R451034000](#) [J9](#) [J3WE-5](#) [R451032500](#) [242201RP](#) [17K132-K00S5](#)
[03K719-S22S3](#) [AD-RSMAF-RTNC](#) [02K119-S00E3](#) [53K156-K00N5](#) [W1S102-K00S3](#) [02K119-K00E3](#) [W1K102-K00D3](#) [29S132-K01N5](#)
[53S156-K00N5](#) [02S119-S00E3](#) [28K132-K00N5](#) [29-3840P](#) [242235](#) [ADBJ20-E1-BJ89](#) [AD-MQF-QCM-PM-2.5](#) [AD-QCF-QCF-SP-2.5](#) [AD-](#)
[HQM-QCM-PM-2.5](#) [AD-MQM-QCM-PM-2.5](#) [AD-HQF-QCM-PM-2.5](#)