

|              |
|--------------|
| PART NUMBER  |
| 134-1000-040 |

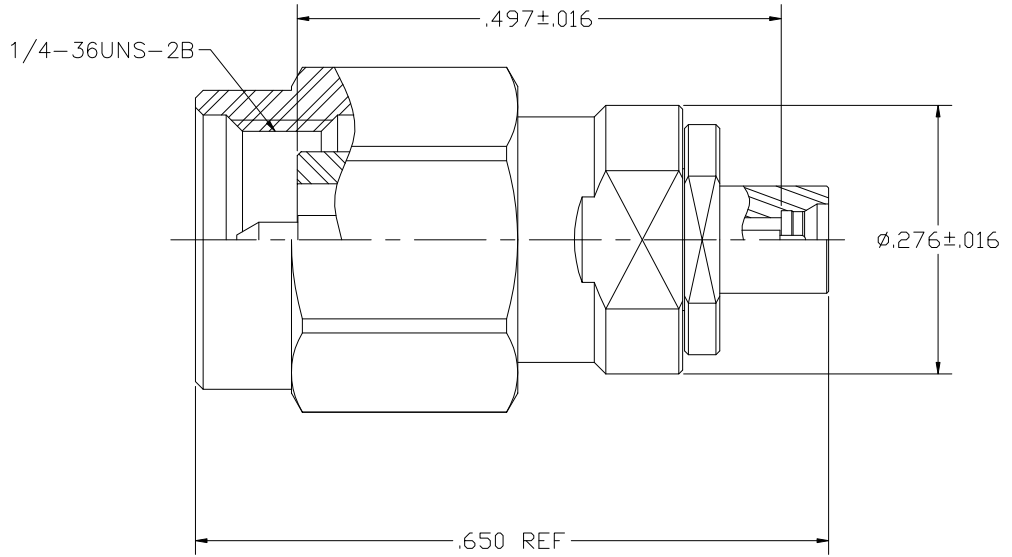
| REV | ECO             | DATE      |
|-----|-----------------|-----------|
| 1   | INITIAL RELEASE | 04SEP2020 |
|     |                 |           |
|     |                 |           |


NOTES:

1. MATERIAL AND FINISH:
  - 1.1 BODY: STAINLESS STEEL, PASSIVATED
  - 1.2 CONTACT: BERYLLIUM COPPER, GOLD PLATE
  - 1.3 INSULATOR: ULTEM 1000, AMBER
  - 1.4 GASKET: SILICONE, RED
2. ELECTRICAL SPECIFICATIONS:
  - 2.1 IMPEDANCE: 50 OHMS NOMINAL
  - 2.2 FREQUENCY RANGE: DC~40 GHz
  - 2.3 VSWR: 1.25 MAX
  - 2.4 DIELECTRIC WITHSTANDING VOLTAGE: 250 VRMS MIN
  - 2.5 INSULATION RESISTANCE: 3500 MEGOHM MIN
  - 2.6 CONTACT RESISTANCE:
    - 2.6.1 CENTER CONTACT - 6.0 MILLIOHM MAX
    - 2.6.2 OUTER CONDUCTOR - 2.0 MILLIOHM MAX
3. MECHANICAL SPECIFICATIONS:
  - 3.1 ENGAGE/DISENGAGE FORCE: 0.23 Nm MAX (2.92MM)  
2.5 LBS MAX/4.5 LBS MAX (SMP3)
  - 3.2 COUPLING NUT RETENTION: 267 N MIN
  - 3.3 COUPLING PROOF TORQUE: 1.7 Nm MIN
  - 3.4 CONTACT RETENTION: 22 N MIN
  - 3.5 DURABILITY: 500 CYCLES MIN (2.92MM)  
100 CYCLES MIN (SMP3)
4. ENVIRONMENTAL:
 

(MEETS OR EXCEEDS THE APPLICABLE PARAGRAPH OF MIL-PRF-39012)

  - 4.1 THERMAL SHOCK: MIL-STD-202, METHOD 107, CONDITION B
  - 4.2 OPERATING TEMPERATURE: -65°C TO 165°C
  - 4.3 MOISTURE RESISTANCE: MIL-STD-202, METHOD 106
  - 4.4 MECHANICAL SHOCK: MIL-STD-202, METHOD 213, CONDITION I
  - 4.5 VIBRATION: MIL-STD-202, METHOD 204, CONDITION D



|  |  |                      |   |                       |
|--|--|----------------------|---|-----------------------|
|  <p>This PROPRIETARY Document is property of Cinch Connectivity Solutions. It is confidential in nature, non-transferable, and leased with the clear understanding that it is not traced or copied without permission and is returnable upon demand.</p> <p>INTERPRET DRAWING IN ACCORDANCE WITH ASME Y14.5-2009.</p> | Model No:                                | 134-1000-040         | JOHNSON   |                       |
|  | RoHS <input checked="" type="checkbox"/> | Cage Code            | Title: ADAPTER ASSEMBLY, 2.92MM MALE TO SMP3 MALE |                       |
|  | (EU)2015/863 COMPLIANT                   | 3RD ANGLE PROJECTION | Drawing No.                                       | REV.                  |
|  | UNLESS OTHERWISE SPECIFIED UNITS: INCH   | Drawn by: TOMMY REN  | 134-1000-040                                      | 1                     |
|  | Date: 09/04/2020                         | Size B               | DO NOT SCALE DRAWING                              | Workmanship Std: NONE |
|  |  |                      |   | Sheet 1 OF 1          |

## X-ON Electronics

Largest Supplier of Electrical and Electronic Components

*Click to view similar products for [RF Adapters - Between Series](#) category:*

*Click to view products by [Bel Fuse](#) manufacturer:*

Other Similar products are found below :

[ADM2](#) [ADPL75-A1-PL75](#) [242191](#) [9317505](#) [AD130](#) [ADBJ20-E1-PL74](#) [ADBJ20-E2-BJ79](#) [ADBJ77-A1-PL375](#) [ADBJ77-E1-UPL20](#)  
[ADRMF370](#) [242190](#) [242215](#) [242228](#) [25-7580TP](#) [R125680000W](#) [R921391000](#) [HRM.J-ML51.J-A](#) [1057367-1](#) [8311505](#) [R114704000](#)  
[R451034500](#) [R451030500](#) [R451543000](#) [HDVDPN](#) [R451570000](#) [R451034000](#) [J9](#) [J3WE-5](#) [R451032500](#) [242201RP](#) [17K132-K00S5](#)  
[03K719-S22S3](#) [AD-RSMAF-RTNC](#) [02K119-S00E3](#) [53K156-K00N5](#) [W1S102-K00S3](#) [02K119-K00E3](#) [W1K102-K00D3](#) [29S132-K01N5](#)  
[53S156-K00N5](#) [02S119-S00E3](#) [28K132-K00N5](#) [29-3840P](#) [242235](#) [ADBJ20-E1-BJ89](#) [AD-MQF-QCM-PM-2.5](#) [AD-QCF-QCF-SP-2.5](#) [AD-](#)  
[HQM-QCM-PM-2.5](#) [AD-MQM-QCM-PM-2.5](#) [AD-HQF-QCM-PM-2.5](#)