

REV	ECO	DATE
3	INITIAL RELEASE	20JUL2020
4	CHANGE SILICONE TO EPDM	24AUG2021

NOTES:

1. MATERIAL AND FINISH:

- 1.1 NUT: STAINLESS STEEL, PASSIVATION.
- 1.2 BODY: STAINLESS STEEL, GOLD PLATE.
- 1.3 CONTACT: BRASS, GOLD PLATE.
- 1.4 INSULATOR: PTFE.
- 1.5 GASKET: EPDM.
- 1.6 RETENTION SPRING: BERYLLIUM COPPER.

2. ELECTRICAL SPECIFICATIONS:

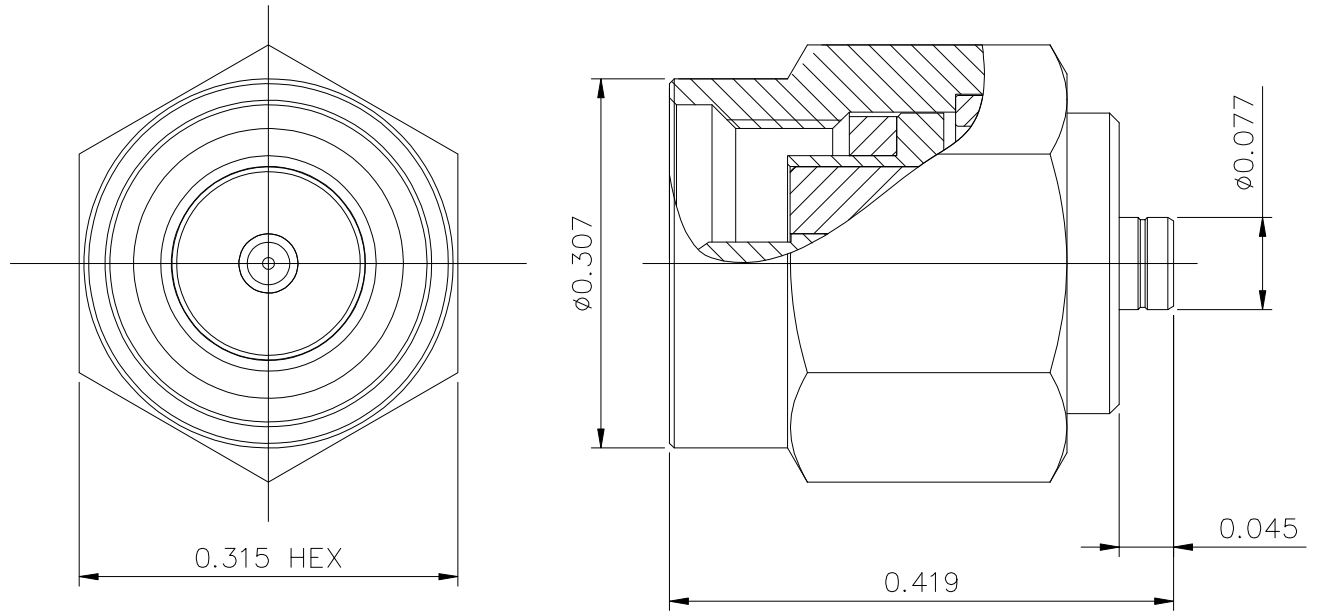
- 2.1 IMPEDANCE: 50 OHMS NOMINAL
- 2.2 FREQUENCY RANGE: DC~6 GHz
- 2.3 VSWR: 1.3 MAX.


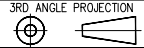
3. MECHANICAL SPECIFICATIONS (UMC):

- 3.1 COMPATIBILITY: MATES WITH U.FL SERIES
- 3.2 DISENGAGE FORCE: 0.15 N MIN (FEMALE CONTACT)
- 3.3 DURABILITY: 3000 CYCLES MIN

4. ENVIRONMENTAL:

- 4.1 TEMPERATURE: -40°C TO 90°C



 <p>This PROPRIETARY Document is property of Cinch Connectivity Solutions. It is confidential in nature, non-transferable, and issued with the clear understanding that it is not traced or copied without permission and is returnable upon demand.</p> <p>INTERPRET DRAWING IN ACCORDANCE WITH ASME Y14.5-2009.</p>	Model No: 134-1019-361	JOHNSON		
	RoHS <input checked="" type="checkbox"/> (EU)/2015/863 COMPLIANT	Cage Code	Title: UMC JACK TO SMA PLUG CONVERSION ADAPTER	
	UNLESS OTHERWISE SPECIFIED UNITS: INCH	3RD ANGLE PROJECTION 	Drawing No. 134-1019-361	REV. 4
	.XX ±.008 .XXX ±.008 ANGLES ±5°	Drawn by: TOMMY REN Date: 07/20/2020	Size B	DO NOT SCALE DRAWING Workmanship Std: NONE Sheet 1 OF 1

X-ON Electronics

Largest Supplier of Electrical and Electronic Components

Click to view similar products for [RF Adapters - Between Series category:](#)

Click to view products by [Bel Fuse manufacturer:](#)

Other Similar products are found below :

[5945-9503-000](#) [MCX/F-SMA/M](#) [R192417010](#) [ADBJ20-E1-BJ379](#) [ADM2](#) [ADPL75-A1-PL75](#) [242191](#) [9317505](#) [29-3835P](#) [AD130](#) [ADBJ20-E1-PL74](#) [ADBJ20-E2-BJ79](#) [ADBJ77-E1-UPL20](#) [ADRMF370](#) [242215](#) [242228](#) [R125680000W](#) [R192430000](#) [UAD95](#) [1057367-1](#) [8311505](#) [R114704000](#) [R451034500](#) [R451030500](#) [R451543000](#) [HDVDPN](#) [ADBJ20-K1-PL20](#) [R451570000](#) [R192419000](#) [R451034000](#) [J9](#) [J3WE-5](#) [R451032500](#) [242201RP](#) [17K132-K00S5](#) [AD-RSMAF-RTNC](#) [53K156-K00N5](#) [02K119-K00E3](#) [29S132-K01N5](#) [53S156-K00N5](#) [02S119-S00E3](#) [28K132-K00N5](#) [02S109-K00S3](#) [27-8200TP](#) [242235](#) [ADBJ20-E1-BJ89](#) [000-2900](#) [321-102-003 \(SMA-50/2-H155/W1.03 AU\)](#) [1057377-1](#) [321-350-001 \(SMA-50-R/2-RG316/N2.01\)](#)