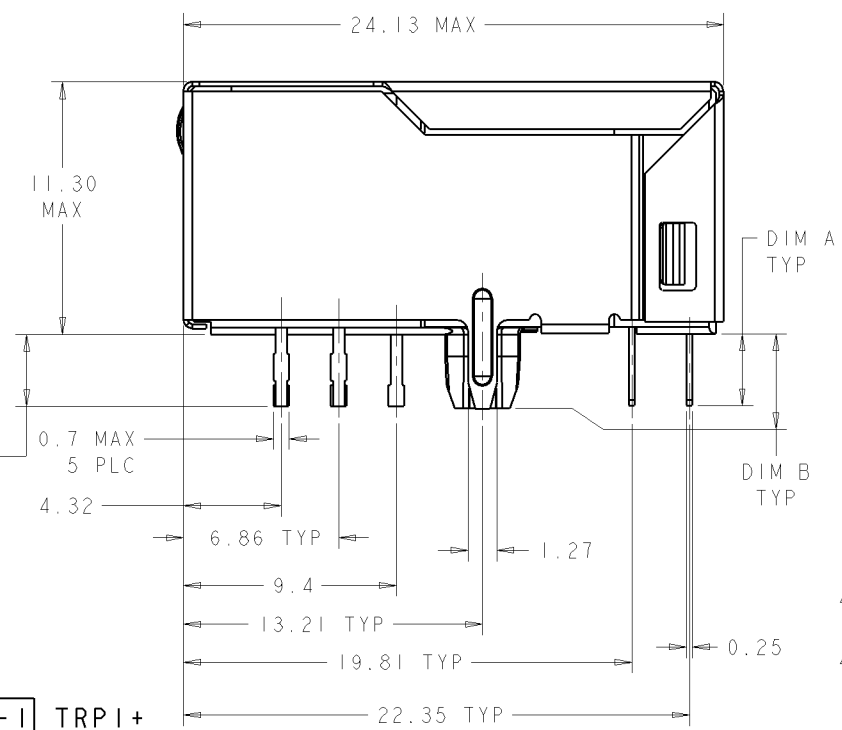
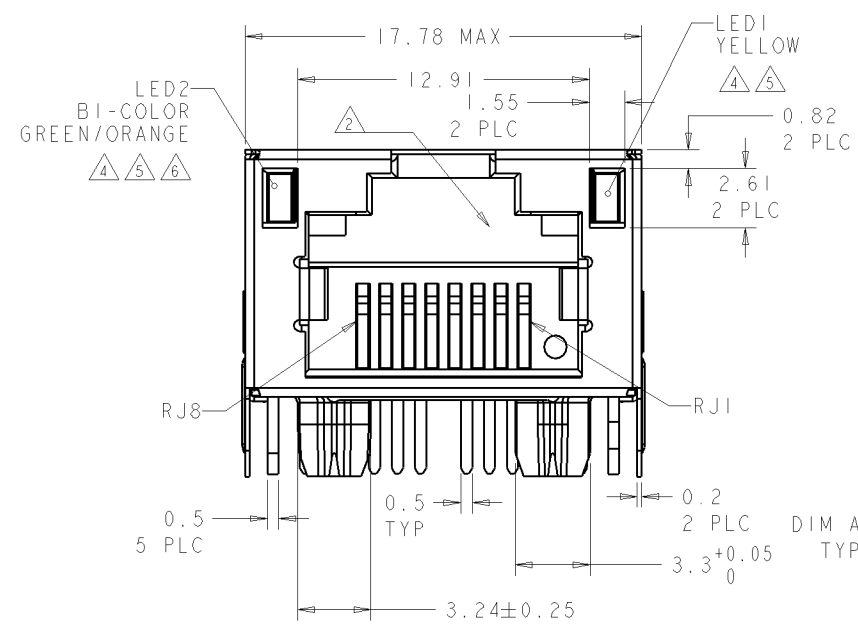
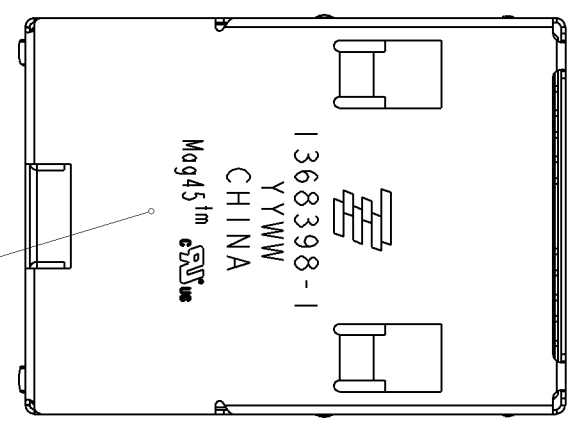
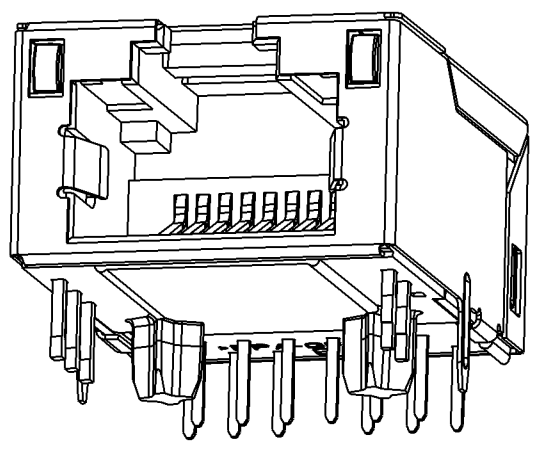
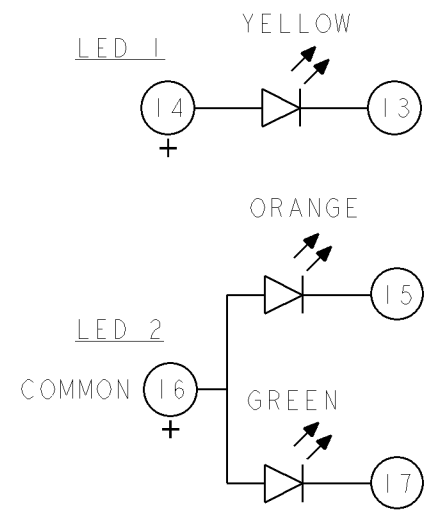
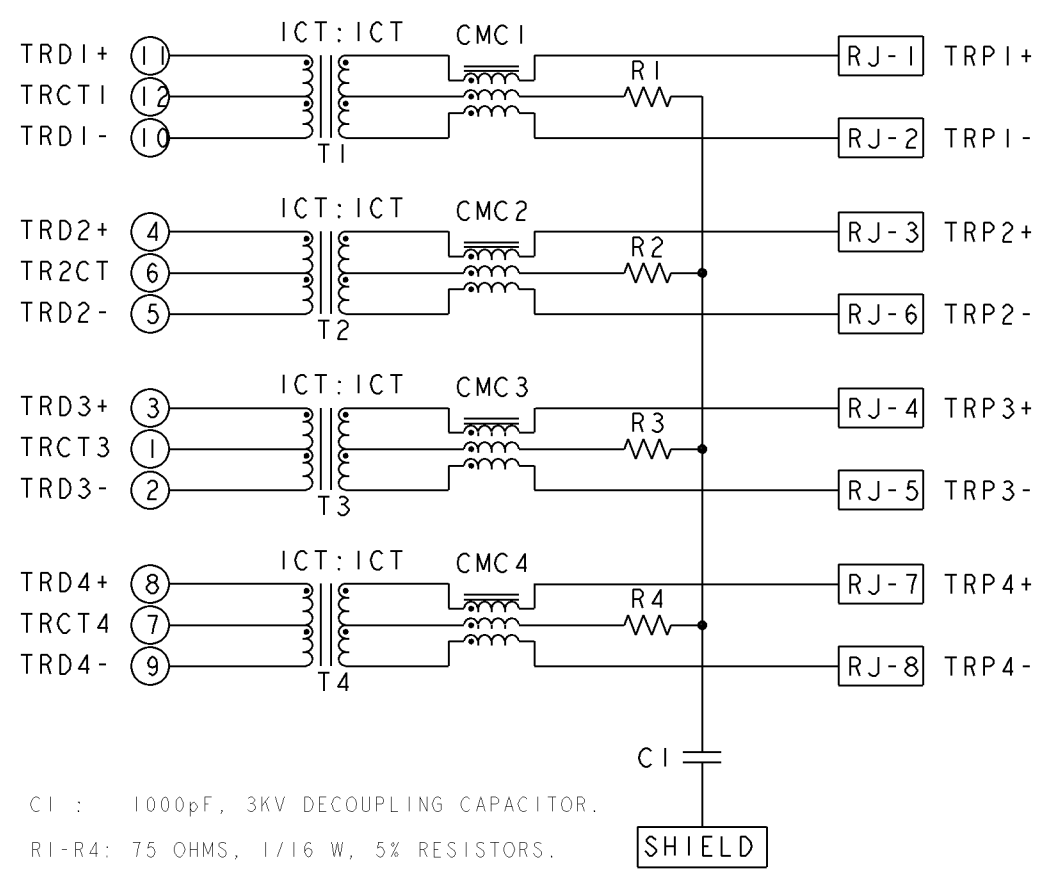


| LOC | DIST | REV | DATE | BY | APPD |
|-----|------|-----------------------|-----------|----|------|
| GP | 00 | | | | |
| E | | PER ECO-07-024339 | 24OCT2007 | TY | TX |
| F | | REV PER ECO-08-008011 | 20MAR2008 | RO | TX |
| G | | PER ECO-08-013009 | 17JUN2008 | TY | TX |



IG18 GIGABIT CIRCUIT



- △ **MATERIALS:**
 - HOUSING: HIGH TEMPERATURE NYLON, BLACK, UL 94V-0
 - SHIELD: 0.20mm THICK, BRASS PREPLATED WITH 1.27µm MIN SEMI-BRIGHT NICKEL; POST-DIPPED WITH 2µm MIN SAC 305 ALLOY LEAD FREE SOLDER (TIN PRIMARY, 3% SILVER, 0.5% COPPER)
 - CONTACT TAILS: 0.25mm THICK, PHOSPHOR BRONZE, 1.27 µm MIN OVERALL NICKEL UNDERPLATE, 3µm MIN TIN PLATE
 - MOD JACK CONTACTS: 0.25mm THICK, PHOSPHOR BRONZE, 1.27 µm MIN OVERALL NICKEL UNDERPLATE, WITH 0.76µm MIN LOCALIZED GOLD PLATE AT PLUG INTERFACE
 - LIGHT EMITTING DIODE (LED): DIFFUSED EPOXY LENS, 0.5mm X 0.5mm CARBON STEEL WIREFRAME LEADS PREPLATED WITH 2.03µm MIN. SILVER PLATE OVER 1.02µm MIN. NICKEL OVER 1.02µm MIN. COPPER UNDERPLATE; LEADS POST-PLATED WITH 3.05µm MIN. MATTE TIN.
 - LIGHT PIPE: POLYCARBONATE

- △ **RJ45 JACK CAVITY CONFORMS TO FCC RULES AND REGULATIONS PART 68, SUB-PART F.**
- △ **MAGNETICS:**
 - IMPEDANCE: 100 OHMS
 - TRANSMIT OPEN CIRCUIT INDUCTANCE (OCL): 350µH (MIN) @100KHz, 0.1 VRMS WITH 8 mA DC BIAS.
 - TURNS RATIO (CHIP:CABLE): TX 1:1, RX: 1:1
- PERFORMANCE:**
 - TRANSMIT BIDIRECTIONAL ALL 4 PAIRS
 - RECEIVE BIDIRECTIONAL ALL 4 PAIRS

| FREQUENCY | INSERTION LOSS (dB MAX) | RETURN LOSS (dB MIN) CIRCUIT IMPEDANCE = 100 OHMS ±15% | COMMON MODE REJECTION RATIO (dB MIN) | CROSSTALK ATTENUATION (dB MIN) |
|--------------------|-------------------------|--|--------------------------------------|--|
| 0.5 MHz-40.0 MHz | 1.2 | 18.0 | 30 | 35 |
| 40.0 MHz-100.0 MHz | | 12-20 log(f/80) f IS FREQUENCY IN MHZ | | 33-20 log(f/50) f IS FREQUENCY IN MHZ |

ALL MAGNETIC ELECTRICAL CHARACTERISTICS RATED @ 25°C

DIELECTRIC (ISOLATION VOLTAGE):

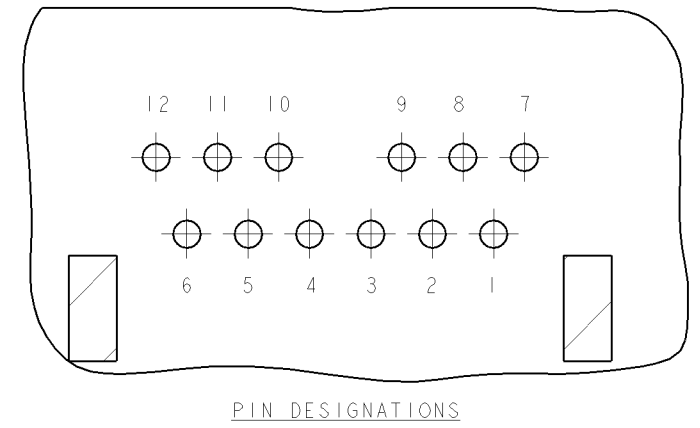
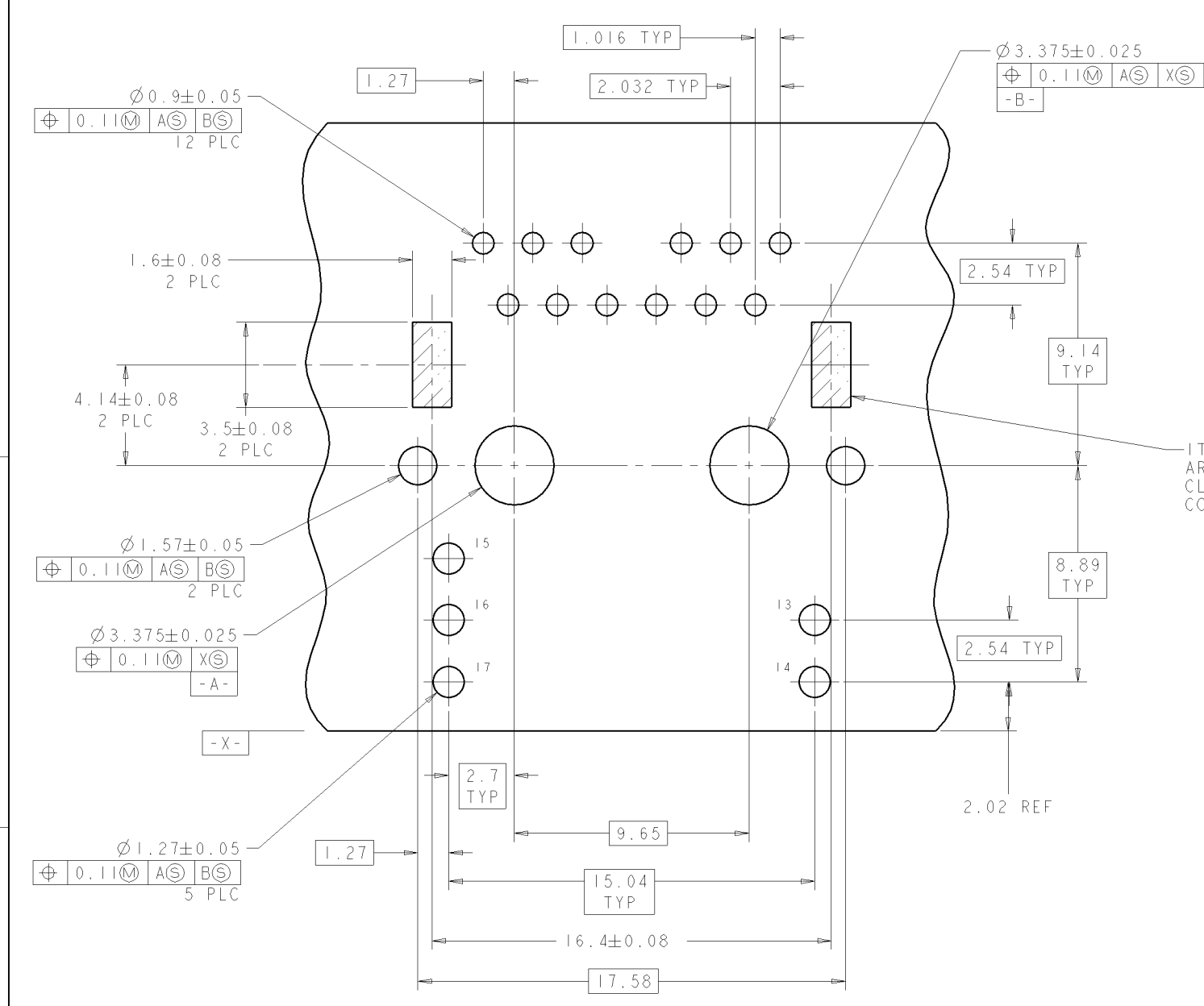
- 2250 VDC (1 mA CUTOFF CURRENT) FOR 60 SECONDS DURATION BETWEEN CABLE CONTACTS AND PCB CONTACTS (INCLUDING SHIELD).
- 1500 VRMS (10 mA CUTOFF CURRENT) FOR 60 SECONDS DURATION BETWEEN CABLE CONTACTS AND PCB CONTACTS (INCLUDING SHIELD).
- ALL BRIDGED ON EITHER SIDE OF MAGNETICS PACKAGE FOR RJ-45 CONTACTS.
- OPERATING TEMPERATURE: FROM 0°C TO +70°C.

- △ LED COMPLIANT WITH IEC60825-1 SAFETY OF LASER PRODUCTS. WHEN OPERATED UP TO 20mA.
- △ LED PEAK WAVELENGTH: GREEN = 565±5nm, YELLOW = 591±5nm, ORANGE = 607±5nm
- △ LED 2 WILL EMULATE "YELLOW" LIGHT WHEN BOTH GREEN AND ORANGE DIODES ARE DRIVEN AT CONSTANT CURRENT (20 mA RECOMMENDED) TO INDICATE THE THIRD COLOR STATES.
- △ ALL DIMENSIONS NOMINAL UNLESS OTHERWISE NOTED.
- 8. 1368398-1 SHOWN UNLESS OTHERWISE NOTED.
- △ RJ45 MOD PLUG SELECTIVE - THIS CONNECTOR UTILIZES STAINLESS STEEL SPRING MEMBER WHICH PREVENTS THE INSERTION OF A RJ11 (6 POSITION) PLUG INTO THE JACK PORT, WHILE ALLOWING A RJ45 (8 POSITION) PLUG TO MATE FREELY.
- WARNING: THIS FEATURE WAS DEVELOPED FOR TYPICAL PLUG INSERTION FORCES. EXCESSIVE INSERTION FORCE MAY OVERCOME THE SELECTIVE FEATURES AND DAMAGE THE CONNECTOR.
- △ APPLIES ONLY TO 1368398-3 AND 1368398-4.
- △ TYCO ELECTRONICS LOGO, PART NUMBER, DATE CODE, PLACE OF ORIGIN TO BE MARKED IN APPROXIMATE LOCATION AS SHOWN.

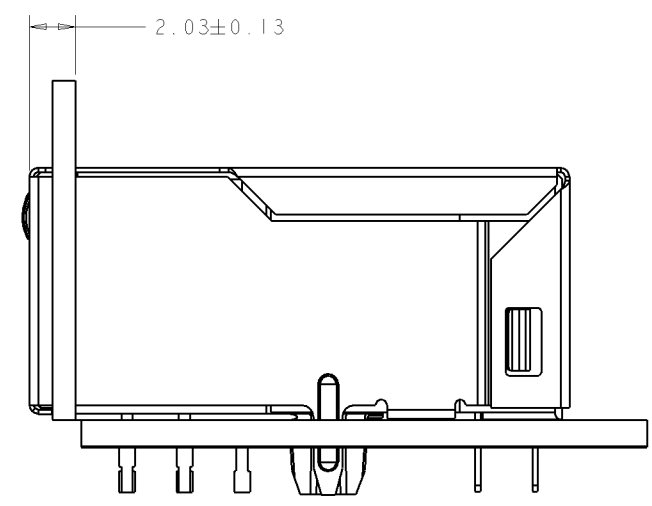
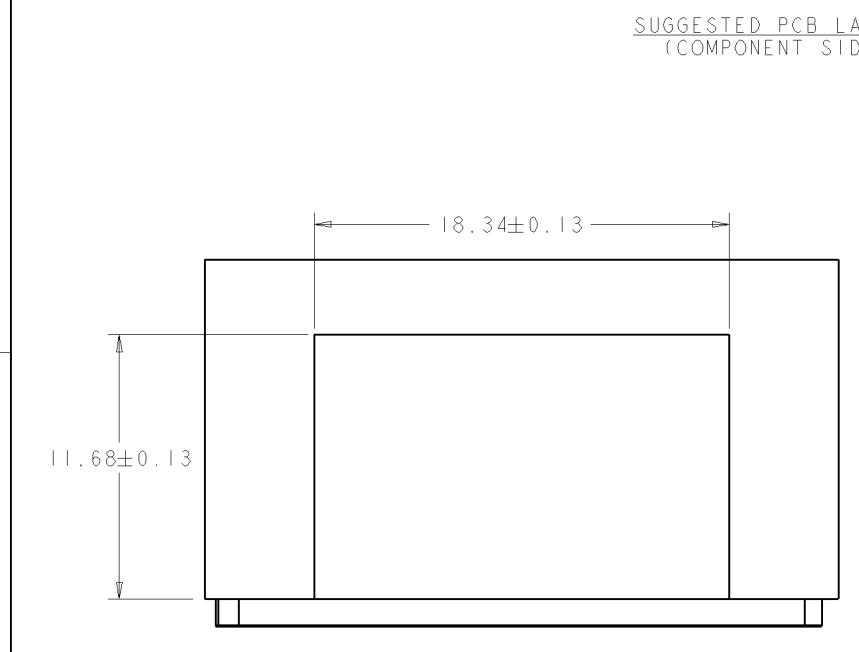
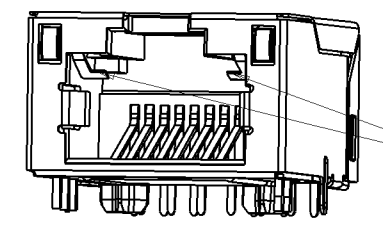
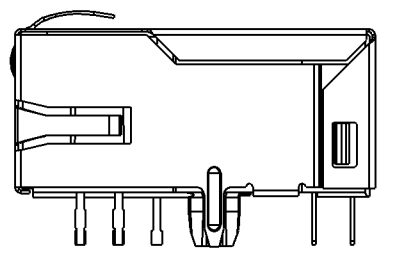
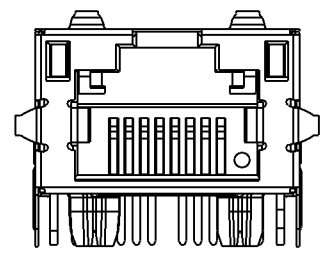
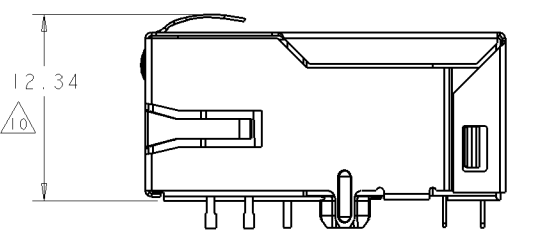
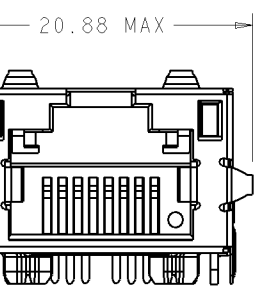
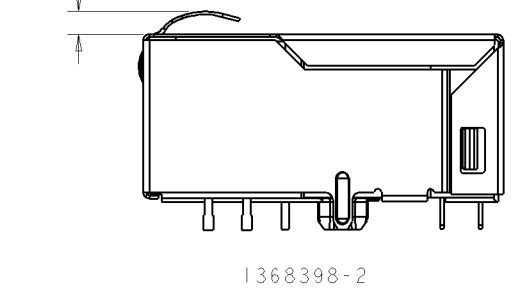
| NO | TOP ONLY | 3.30 | 3.18 | 1368398-6 |
|---------------------------|---------------|-------|-------|-----------|
| YES | NO | 1.8 | 1.8 | 1368398-5 |
| YES | TOP AND SIDES | 3.3 | 3.18 | 1368398-4 |
| YES | TOP AND SIDES | 1.8 | 1.8 | 1368398-3 |
| YES | TOP ONLY | 1.8 | 1.8 | 1368398-2 |
| NO | NO | 3.3 | 3.18 | 1368398-1 |
| RJ11 SELECTIVE CAPABILITY | GROUND TABS | DIM B | DIM A | PART NO. |

| | | | |
|--|--|--|---|
| DIMENSIONS: mm TOLERANCES UNLESS OTHERWISE SPECIFIED 0 PLC ±0.25 1 PLC ±0.25 2 PLC ±0.25 3 PLC ±0.25 4 PLC ±0.25 5 PLC ±0.25 6 PLC ±0.25 7 PLC ±0.25 8 PLC ±0.25 9 PLC ±0.25 10 PLC ±0.25 11 PLC ±0.25 12 PLC ±0.25 13 PLC ±0.25 14 PLC ±0.25 15 PLC ±0.25 16 PLC ±0.25 17 PLC ±0.25 18 PLC ±0.25 19 PLC ±0.25 20 PLC ±0.25 21 PLC ±0.25 22 PLC ±0.25 23 PLC ±0.25 24 PLC ±0.25 25 PLC ±0.25 26 PLC ±0.25 27 PLC ±0.25 28 PLC ±0.25 29 PLC ±0.25 30 PLC ±0.25 31 PLC ±0.25 32 PLC ±0.25 33 PLC ±0.25 34 PLC ±0.25 35 PLC ±0.25 36 PLC ±0.25 37 PLC ±0.25 38 PLC ±0.25 39 PLC ±0.25 40 PLC ±0.25 41 PLC ±0.25 42 PLC ±0.25 43 PLC ±0.25 44 PLC ±0.25 45 PLC ±0.25 46 PLC ±0.25 47 PLC ±0.25 48 PLC ±0.25 49 PLC ±0.25 50 PLC ±0.25 51 PLC ±0.25 52 PLC ±0.25 53 PLC ±0.25 54 PLC ±0.25 55 PLC ±0.25 56 PLC ±0.25 57 PLC ±0.25 58 PLC ±0.25 59 PLC ±0.25 60 PLC ±0.25 61 PLC ±0.25 62 PLC ±0.25 63 PLC ±0.25 64 PLC ±0.25 65 PLC ±0.25 66 PLC ±0.25 67 PLC ±0.25 68 PLC ±0.25 69 PLC ±0.25 70 PLC ±0.25 71 PLC ±0.25 72 PLC ±0.25 73 PLC ±0.25 74 PLC ±0.25 75 PLC ±0.25 76 PLC ±0.25 77 PLC ±0.25 78 PLC ±0.25 79 PLC ±0.25 80 PLC ±0.25 81 PLC ±0.25 82 PLC ±0.25 83 PLC ±0.25 84 PLC ±0.25 85 PLC ±0.25 86 PLC ±0.25 87 PLC ±0.25 88 PLC ±0.25 89 PLC ±0.25 90 PLC ±0.25 91 PLC ±0.25 92 PLC ±0.25 93 PLC ±0.25 94 PLC ±0.25 95 PLC ±0.25 96 PLC ±0.25 97 PLC ±0.25 98 PLC ±0.25 99 PLC ±0.25 100 PLC ±0.25 | | DWN: TRIC BRIANT CHK: N REESER APVD: N REESER DATE: 15MAY2003 9FEB2004 9FEB2004 108-2207 114- WEIGHT: - SCALE: NTS SHEET: 1 OF 2 REV: G | Tyco Electronics Harrisburg, PA 17105-3608 NAME: IX1 MAG45(TM), MODULAR JACK, IG18 SERIES GIGABIT CIRCUIT SHIELDED, LEDS, SELECTIVE CAPABILITY SIZE: A1 CASE CODE: 00779 DRAWING NO: 1368398 CUSTOMER DRAWING |
|--|--|--|---|

| LOC | DIST | REV | DESCRIPTION | DATE | ENR | APPR |
|-----|------|-----|-------------|------|-----|------|
| GP | 00 | | SEE SHEET 1 | | | |



IT IS RECOMMENDED THAT SHADED AREA OF CUSTOMER PC BOARD BE CLEAR OF ANY VIA HOLE, COMPONENT AND CIRCUIT TRACE



| | | | | | | | |
|-----------------------|--|---|--|--|--|--|--|
| DIMENSIONS: mm | | TOLERANCES UNLESS OTHERWISE SPECIFIED: 0 PLC ± 1 PLC ±0.25 2 PLC ±0.25 3 PLC ± 4 PLC ± ANGLES ± FINISH - | | DWN: ERIC BRIANT 15MAY2003 CW: N REESER 9FEB2004 APVD: N REESER 9FEB2004 PRODUCT SPEC APPLICATION SPEC WEIGHT CUSTOMER DRAWING | | Tyco Electronics Tyco Electronics Harrisburg, PA 17105-3608 NAME: 1X1 MAG45(TM), MODULAR JACK, 1G18 SERIES GIGABIT CIRCUIT SHIELDED, LEDS, SELECTIVE CAPABILITY SIZE: A1 CASE CODE: 00779 DRAWING NO: 1368398 SCALE: NTS SHEET: 2 OF 2 REV: G | |
|-----------------------|--|---|--|--|--|--|--|

X-ON Electronics

Largest Supplier of Electrical and Electronic Components

Click to view similar products for [Modular Connectors / Ethernet Connectors](#) category:

Click to view products by [Bel Fuse](#) manufacturer:

Other Similar products are found below :

[8949-H88/06BLKA/SN](#) [74441-0010/BKN](#) [MP1010RX-1000](#) [MP44RX-1000](#) [PHJ-4P4C-1-V-4](#) [PHP-6P6C-5](#) [GAX-3-66](#) [GAX-8-62](#) [GDCX-PA-66-50](#) [GDCX-PN-64](#) [GDCX-PN-66](#) [GDCX-PN-66-50](#) [GDLX-A-66](#) [GDLX-N-66](#) [GDLX-S-66](#) [GDLX-S-88K](#) [GDLX-SMT-S-88](#) [GDTX-S-88-50](#) [GDX-PA-1010](#) [GLX-N-1010M-BLK](#) [GLX-S-88M-BLK](#) [GMX-N-1010](#) [GMX-S-1010](#) [GMX-S-66](#) [GMX-SMT4-N-88](#) [GPX-2-64](#) [GSGX-N-2-88](#) [GSGX-N-4-88](#) [GSX-NS2-88-3.05](#) [GSX-NS2-88-3.05-50](#) [GSX-NS-88-3.05-50](#) [PT-108A-8C-UL](#) [PT-J951-8C](#) [PTS-J531-8CS-50UL](#) [1-1775629-2](#) [A-2014-0-4](#) [GWLX-S-88-GR](#) [GWLX-S9-88-YG](#) [DC-1021-8-WH-6](#) [1300530003](#) [1324640-4](#) [RJ11FTVC2G](#) [RJ11FTVC2N](#) [RJFTVX2SA1G](#) [132764-001](#) [1413235](#) [MP88X-1000](#) [MPS88RX-5000](#) [E5288-S000K3-L](#) [E5908-15A242-L](#)