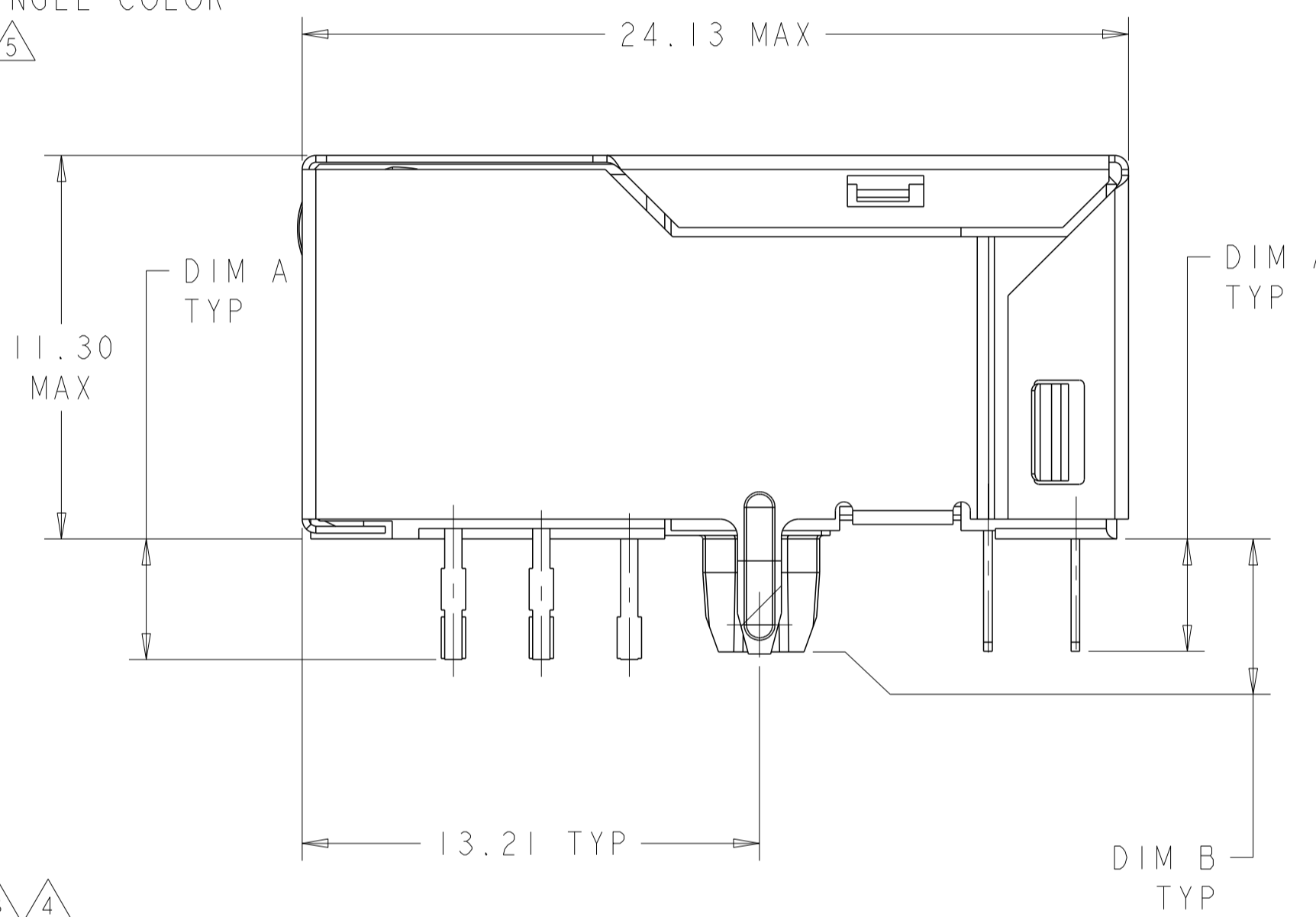
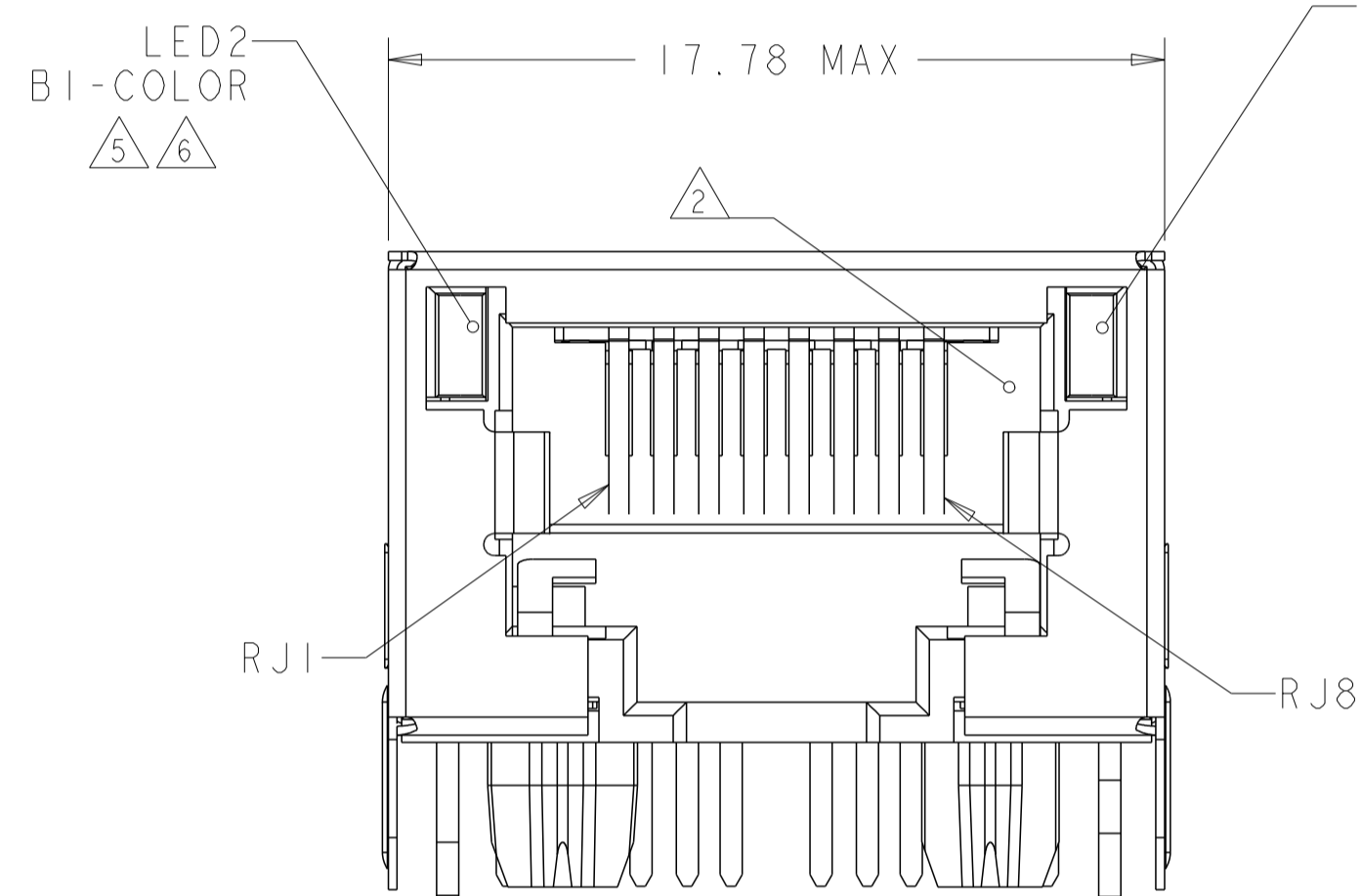
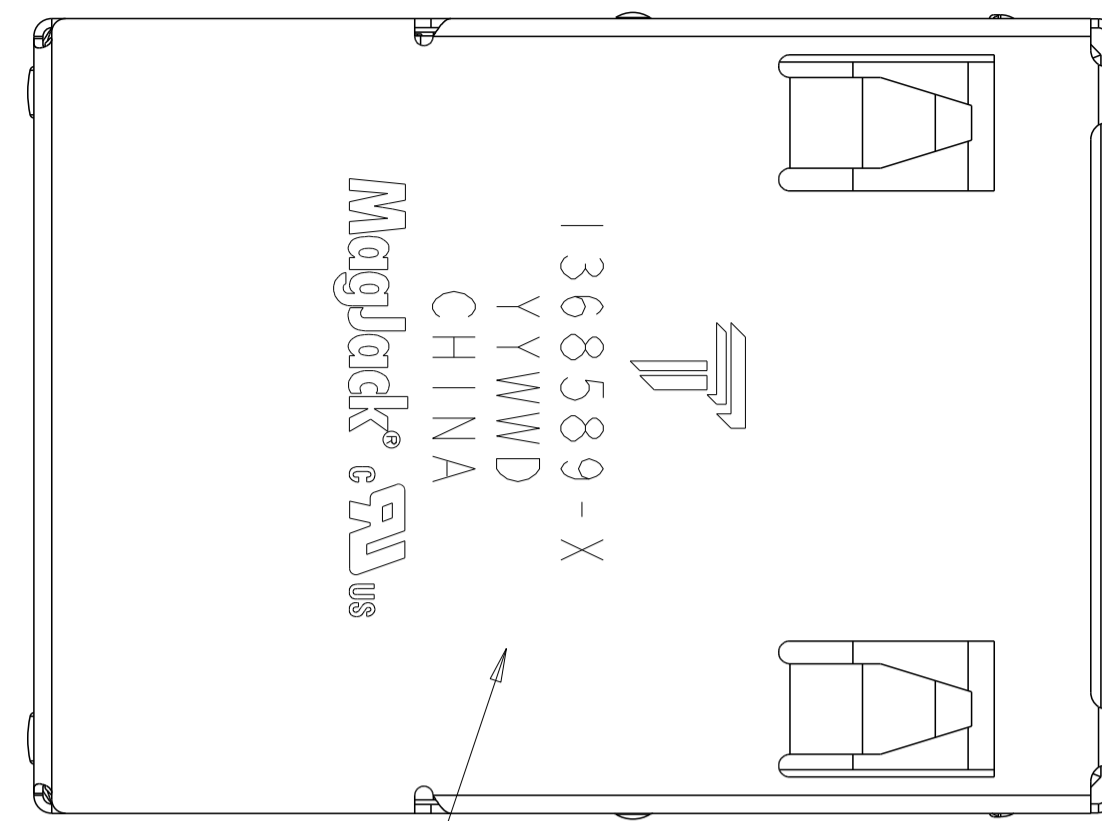
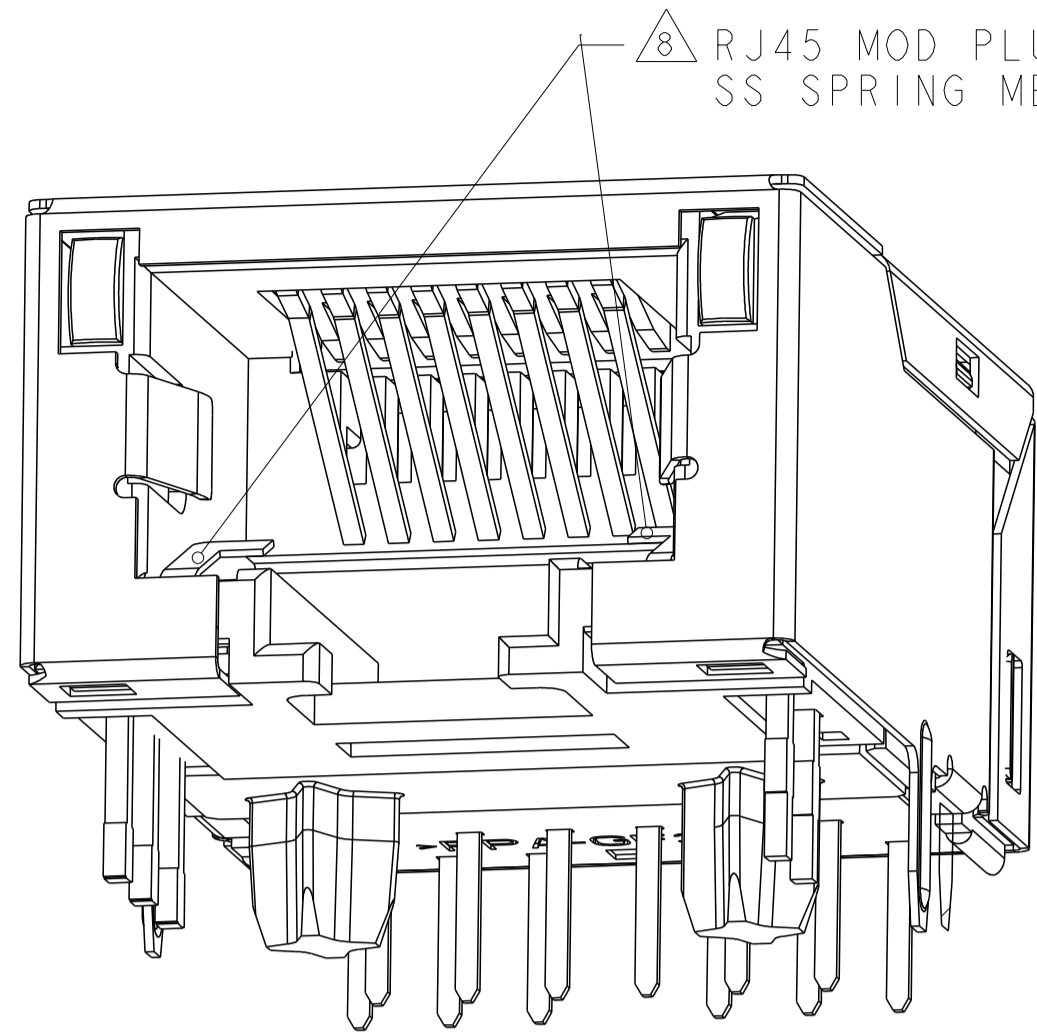


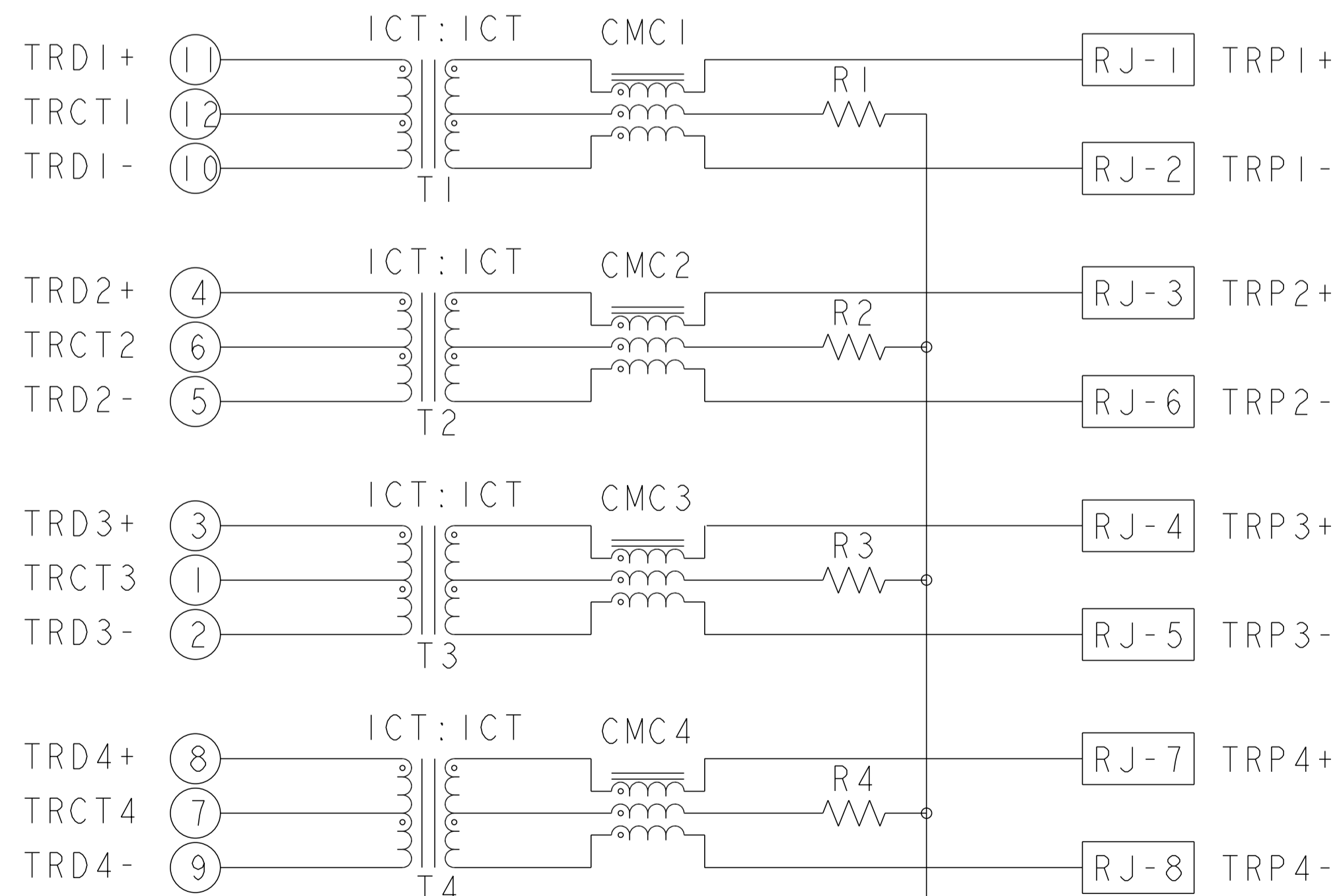
THIS DRAWING AND THE SUBJECT MATTER SHOWN THEREON ARE CONFIDENTIAL AND THE PROPERTY OF BEL/STEWART/TRP CONNECTOR AND SHALL NOT BE REPRODUCED, COPIED, OR USED IN ANY MANNER WITHOUT THE WRITTEN CONSENT OF TRP CONNECTOR.

PRODUCT MAY BE PROTECTED BY ONE OR MORE OF THE FOLLOWING US PATENTS:
 5736910 5939955 6425781 6428361 6554638 6840817 7123117
 7429195 7717749 7808751 6217391 6149050 7924130

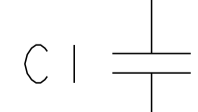
REVISIONS				
P	LTN	DESCRIPTION	DATE	OWN APVD
G	EC-1309003		11SEP2013	TY TY
H	COMPANY LOGO CHANGE AND EC-1409035		06JAN2015	TYR TYN



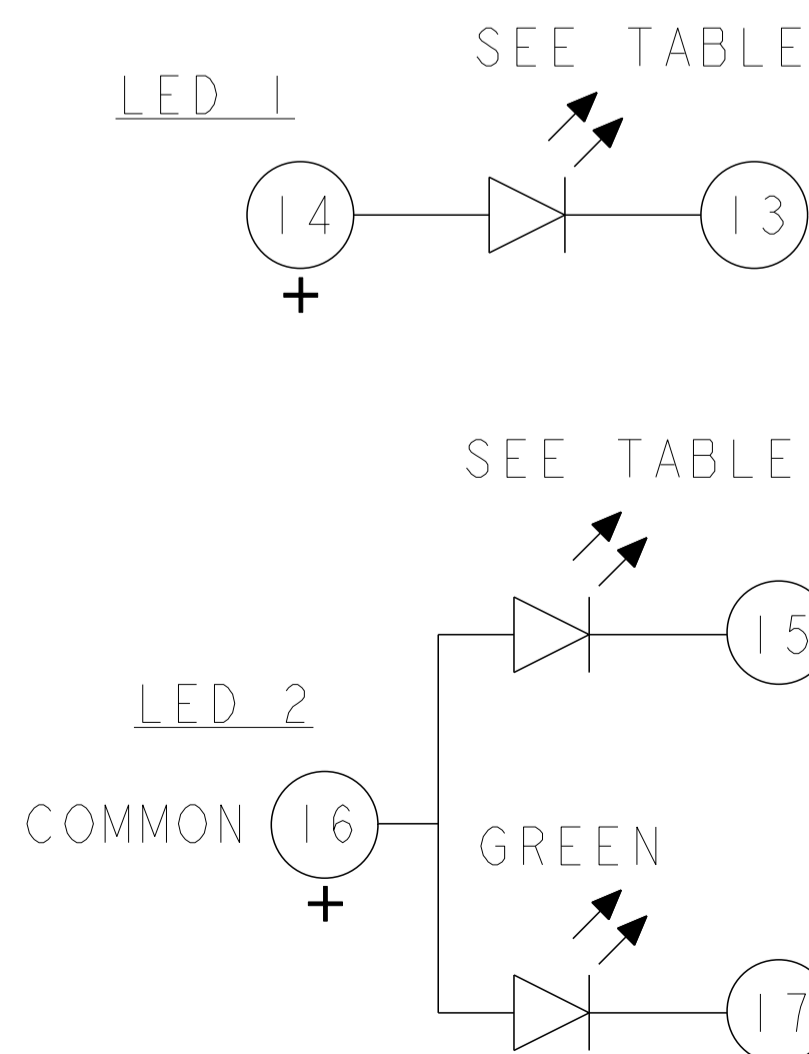
8G18 GIGABIT CIRCUIT



C1=1000pF, 3KV, ±10%, X7R DECOUPLING CAP
 R1-R4 = 75 OHMS, 1/16 W, ±5% RESISTORS



SHIELD



1. MATERIALS:
 -HOUSING: HIGH TEMPERATURE NYLON, BLACK, UL 94V-0
 -SHIELD: 0.20±0.02mm THICK, BRASS PREPLATED WITH 0.76um MIN SEMI-BRIGHT NICKEL; POST-DIPPED WITH 2 um MIN LEAD FREE TIN SOLDER
 -CONTACT TAILS: 0.25mm THICK, PHOSPHOR BRONZE, 1.27 um MIN OVERALL NICKEL UNDERPLATE, 3 um MIN TIN PLATE
 -MOD JACK CONTACTS: 0.25mm THICK, PHOSPHOR BRONZE, 1.27 um MIN OVERALL NICKEL UNDERPLATE, WITH 0.76um MIN LOCALIZED GOLD PLATE AT PLUG INTERFACE
 -LIGHT EMITTING DIODE (LED): DIFFUSED EPOXY LENS, CARBON STEEL WIREFRAME PREPLATED WITH 2.03um SILVER PLATE OVER 1.02um NICKEL OVER 1.02um COPPER UNDERPLATES, LEADS POST-PLATED WITH 3.05 um Min TIN, TIP TIN DIPPING
 -LIGHT PIPE: POLYETHER SULFONE

2. RJ45 JACK CAVITY CONFORMS TO FCC RULES AND REGULATIONS PART 68, SUB-PART F.

3. MAGNETICS:
 -APPLICATION: 10/100/1000 BASE-T
 -IMPEDANCE : 100 OHMS ±15%
 -TURNS RATIO (CHIP:CABLE): 1:1 ALL 4 PAIRS
 -OPEN CIRCUIT INDUCTANCE (OCL): 350uH (MIN) @100KHz, 0.1 VRMS
 8 mA DC BIAS FROM 0°C TO 70°C, ALL FOUR PAIRS.
 -ALL FOUR PAIRS BI-DIRECTIONAL
 -PERFORMANCE @25°C:

FREQUENCY	INSERTION LOSS (dB MAX)	RETURN LOSS (dB MIN) CIRCUIT IMPEDANCE = 100 OHMS ±15%	COMMON MODE REJECTION RATIO (dB MIN)	CROSSTALK ATTENUATION (dB MIN)
0.5 MHz - 40.0 MHz	1.1	18.0	30	35
40.1 MHz - 100.0 MHz		12-20 log(f/80) f IS FREQUENCY IN MHZ		33-20 log(f/50) f IS FREQUENCY IN MHZ

- ISOLATION VOLTAGE: COMPLIES WITH IEEE802.3.2002, PARA 40.6.1.1, ITEM a AND b

4. OPERATING TEMPERATURE: FROM 0°C TO 70°C

5. LED IS DRIVEN WITH CONSTANT CURRENT AT APPROX 20mA.
 LED COLOR: DOMINANT WAVELENGTH (λD): GREEN 568 nm TYP. at IF=20mA
 FORWARD VOLTAGE (VF): GREEN 2.2V TYP. at IF=20mA
 DOMINANT WAVELENGTH (λD): YELLOW 588 nm TYP. at IF=20mA
 FORWARD VOLTAGE (VF): YELLOW 2.1V TYP. at IF=20mA
 DOMINANT WAVELENGTH (λD): ORANGE 605 nm TYP. at IF=20mA
 FORWARD VOLTAGE (VF): ORANGE 2.1V TYP. at IF=20mA

6. LED 2 WILL EMULATE "YELLOW" LIGHT WHEN BOTH GREEN AND ORANGE DIODES ARE DRIVEN AT CONSTANT CURRENT (20 mA RECOMMENDED) TO INDICATE THE THIRD COLOR STATE.

7. ALL DIMENSIONS ARE NOMINAL UNLESS OTHERWISE NOTED.

8. RJ45 MOD PLUG SELECTIVE - THIS CONNECTOR UTILIZES STEEL SPRING MEMBER WHICH PREVENTS THE INSERTION OF A RJ11 (6 POSITION) PLUG INTO THE JACK PORT, WHILE ALLOWING A RJ45 (8 POSITION) PLUG TO MATE FREELY.
 WARNING: THIS FEATURE WAS DEVELOPED FOR TYPICAL PLUG INSERTION FORCES. EXCESSIVE INSERTION FORCE MAY OVERCOME THE SELECTIVE FEATURES AND DAMAGE THE CONNECTOR.

9. TRP CONNECTOR LOGO, DATE CODE, COUNTRY OF ORIGIN, AND AGENCY APPROVAL MARKING IN APPROXIMATE LOCATION SHOWN

10. 1368589-1, 1368589-3 & 1368589-9 SHOWN UNLESS OTHERWISE NOTED.

11. PART SHOULD BE COMPLIANT WITH BOTH WAVE SOLDERING PROCESS PEAK SOLDERING TEMPERATURE 260°C MAX, 10 SECONDS MAX; AND IR REFLOW SOLDERING PROCESS PEAK SOLDERING TEMPERATURE 260°C MAX DURATION TIME 10 SECONDS MAX, OVER 230°C WITHIN 40- 60 SECONDS.

12. PART SHOULD BE COMPLIANT WITH WAVE SOLDERING PROCESS ONLY, PREHEAT TEMPERATURE IS 120°C TO 160°C, 120 SECONDS TO 180 SECONDS, PEAK SOLDERING TEMPERATURE 260°C MAX, 10 SECONDS MAX;

TRAY	WAVE	NO	G /YELLOW	GREEN	3.3	3.18	1368589-9
TRAY	WAVE	TOP AND SIDES	G /ORANGE	YELLOW	3.3	3.18	1368589-8
TAPE AND REEL	BOTH	TOP AND SIDES	G /ORANGE	YELLOW	1.8	1.8	1368589-7
TRAY	WAVE	TOP ONLY	G /ORANGE	YELLOW	1.8	1.8	1368589-6
TRAY	WAVE	TOP AND SIDES	G /ORANGE	GREEN	3.3	3.18	1368589-5
TRAY	WAVE	NO	G /ORANGE	GREEN	1.8	1.8	1368589-4
TRAY	WAVE	NO	G /ORANGE	GREEN	3.3	3.18	1368589-3
TAPE AND REEL	BOTH	NO	G /ORANGE	YELLOW	1.8	1.8	1368589-2
TRAY	WAVE	NO	G /ORANGE	YELLOW	3.3	3.18	1368589-1
PACKAGE METHOD	SOLDER PROCESS	GROUND TABS	LED 2	LED 1	DIM B	DIM A	PART NO.

THIS DRAWING IS A CONTROLLED DOCUMENT.		OWN: TOWER YU 27JUL2005
DIMENSIONS: mm		CHK: TEDDY X LONG 27JUL2005
TOLERANCES UNLESS OTHERWISE SPECIFIED:		APVD: TEDDY X LONG 27JUL2005
0 PLC	±0.25	MODEL NAME
1 PLC	±0.25	MAGJACK
2 PLC	±0.25	SINGLE NON-POE
3 PLC	±0.25	
4 PLC	±	
ANGLES	±	
PRODUCT SPEC	114-	CUSTOMER DRAWING
108-2207		SCALE 6:1

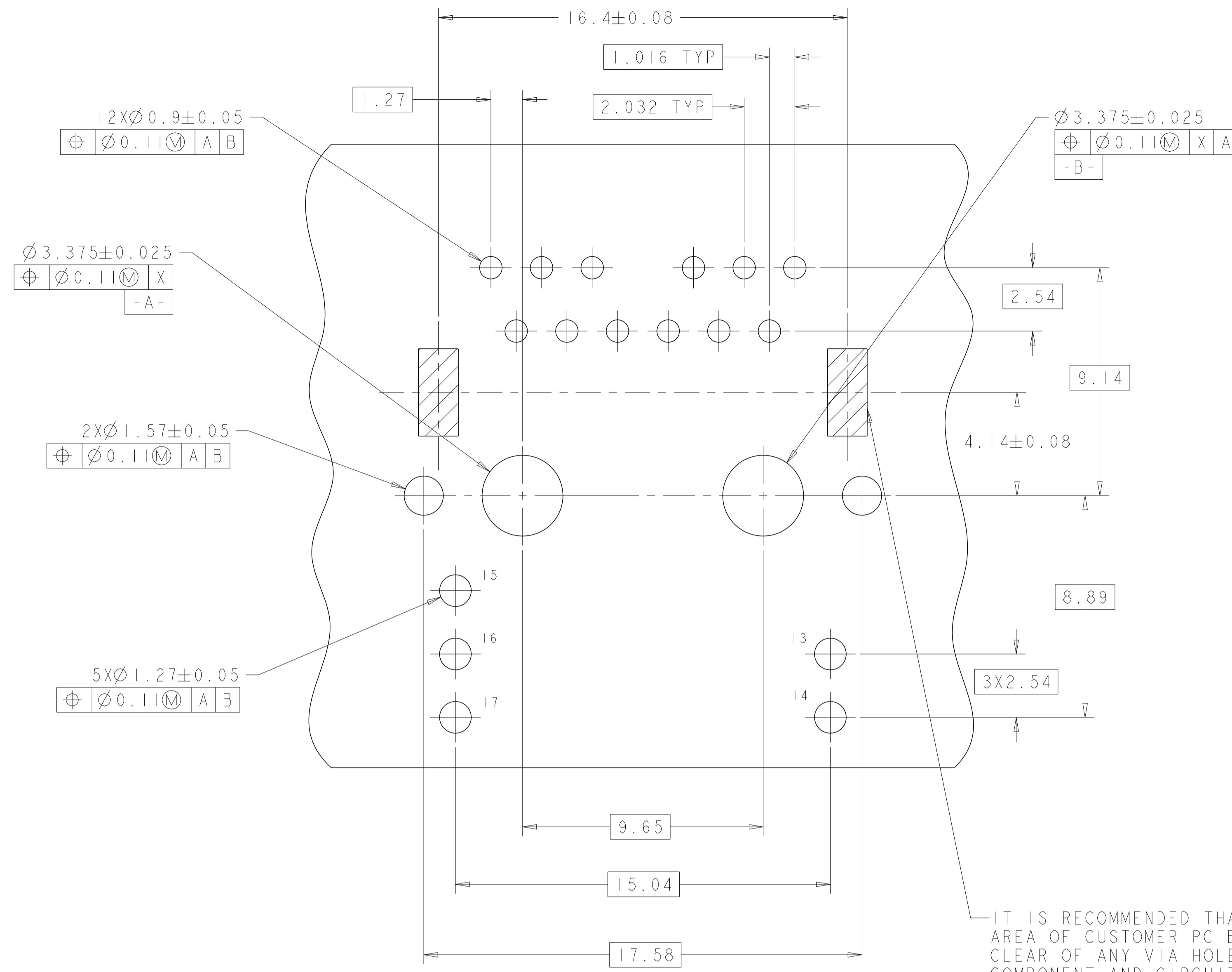
trp CONNECTOR DONGGUAN CHINA

IXI 8G18 GIGABIT TAB DOWN LOW PROFILE W/ LED

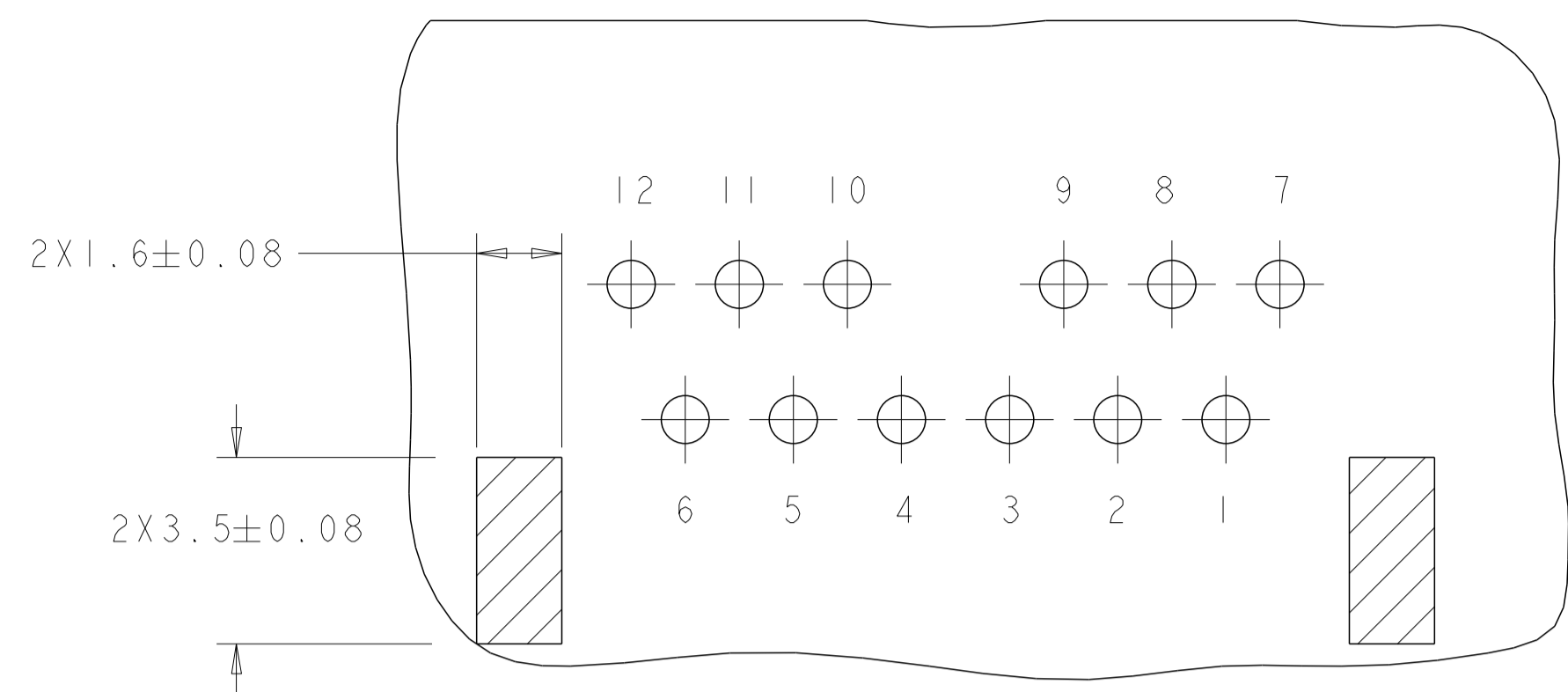
SIZE: CAGE CODE: DRAWING NO: RESTRICTED TO

©=1368589

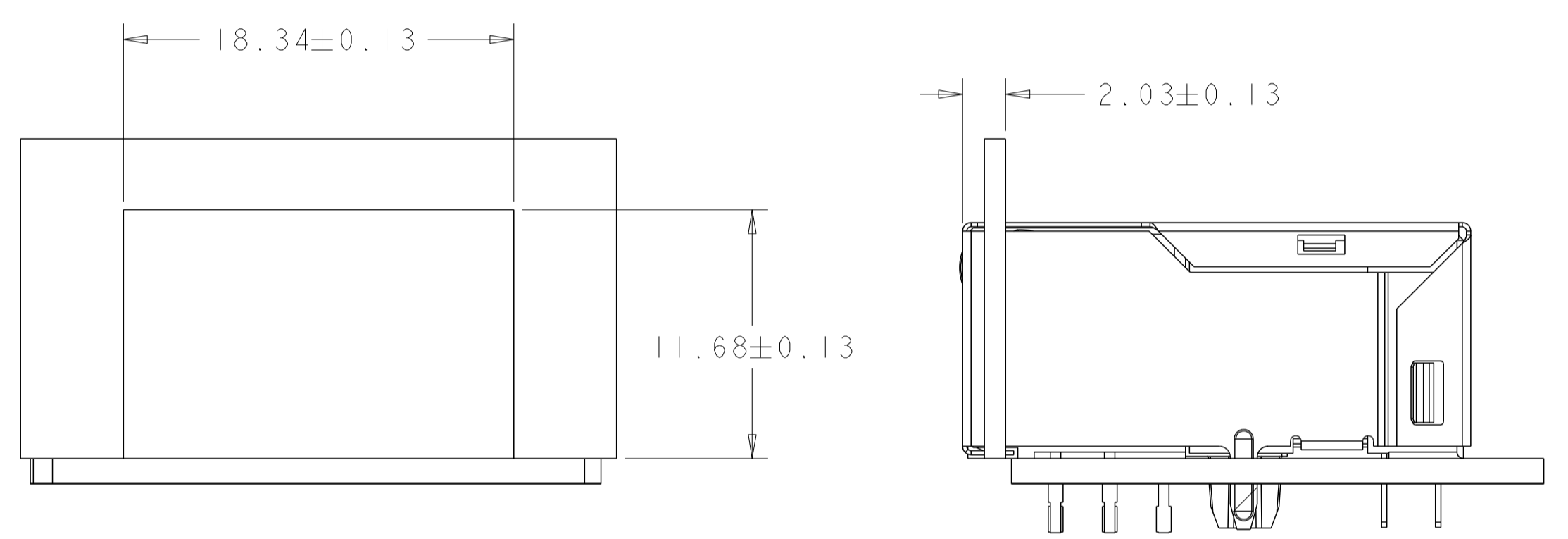
SHEET 1 OF 2 REV H



SUGGESTED PCB LAYOUT
(COMPONENT SIDE)

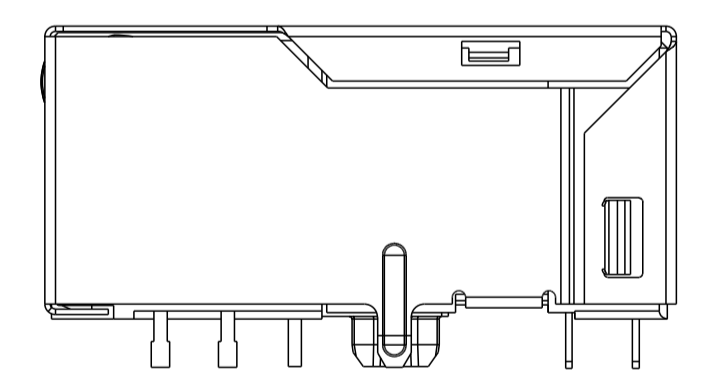
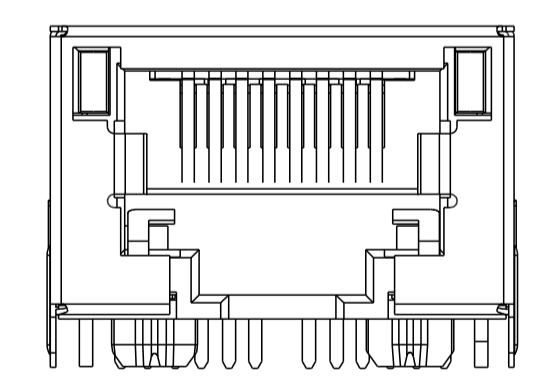


PIN DESIGNATIONS

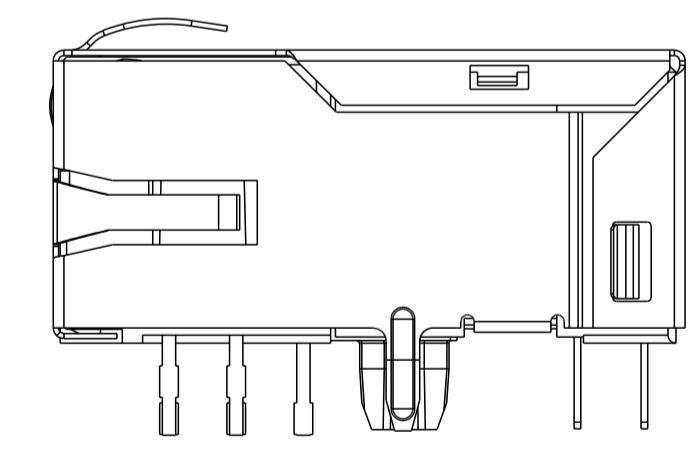
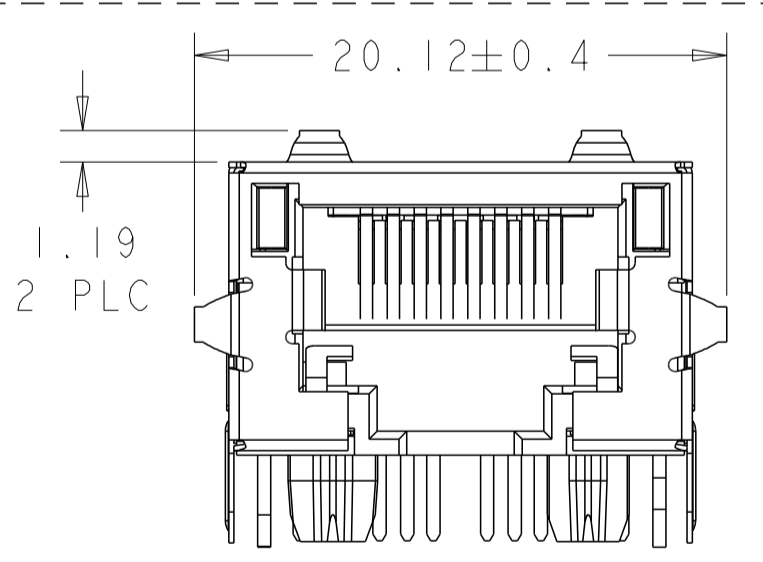


SUGGESTED PANEL OPENING

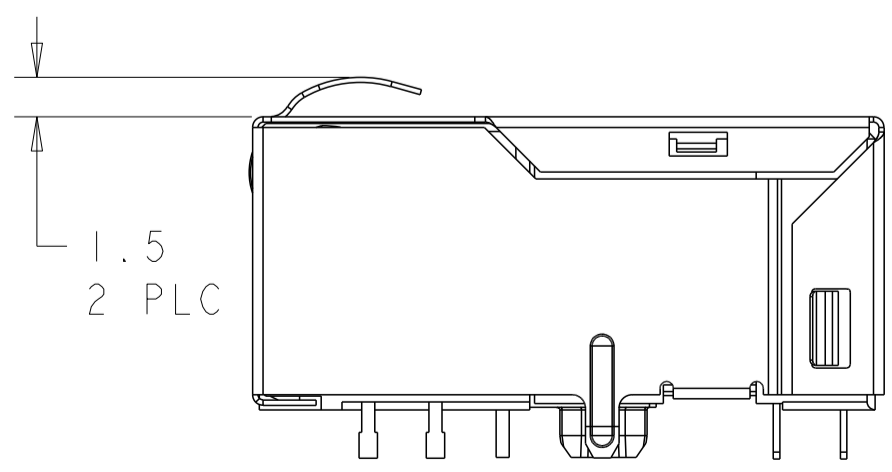
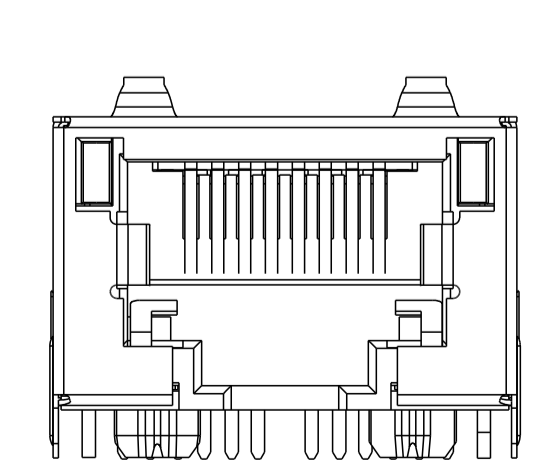
IT IS RECOMMENDED THAT SHADED AREA OF CUSTOMER PC BOARD BE CLEAR OF ANY VIA HOLE, COMPONENT AND CIRCUIT TRACE



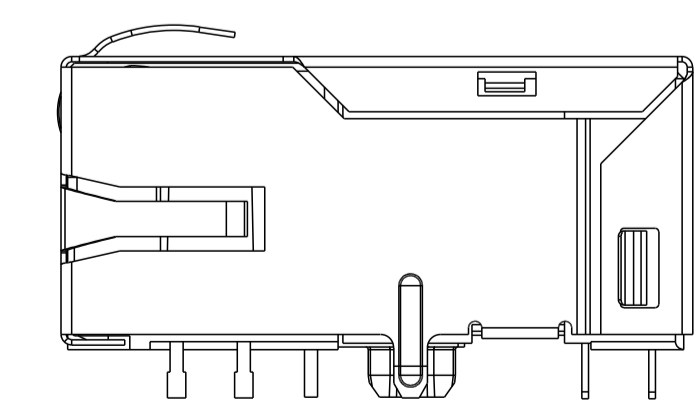
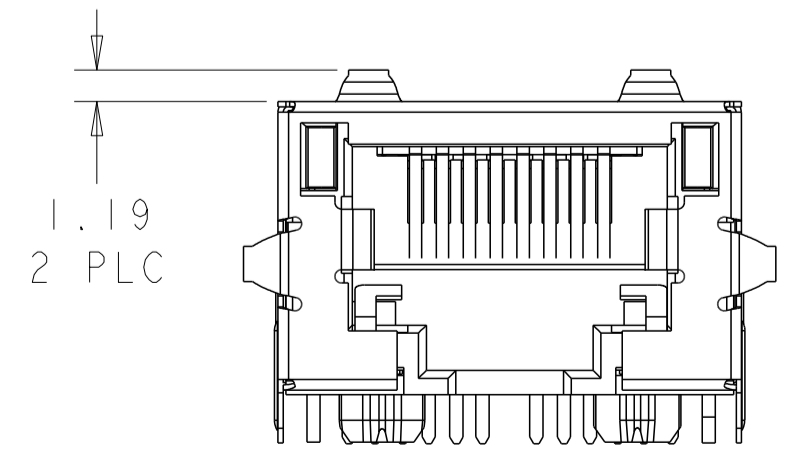
1368589-2
1368589-4



1368589-5
1368589-8



1368589-6



1368589-7

THIS DRAWING IS A CONTROLLED DOCUMENT.		OWN: TOWER YU 27JUL2005	 DONGGUAN CHINA
DIMENSIONS: mm		CHK: TEDDY X LONG 27JUL2005	
TOLERANCES UNLESS OTHERWISE SPECIFIED:		APP'D: TEDDY X LONG 27JUL2005	
0 PLC ±0.25 1 PLC ±0.25 2 PLC ±0.25 3 PLC ± 4 PLC ± ANGLES ± APPLICATION SPEC ±		MODEL NAME: MAGJACK	
PRODUCT SPEC: 108-2207	114-	DESC: 1X1 8G18 GIGABIT TAB DOWN LOW PROFILE W/ LED	RESTRICTED TO: -
CUSTOMER DRAWING		SIZE: A1	SCALE: 7:2
		CAGE CODE: 1368589	SHEET 2 OF 2
		REV: H	

X-ON Electronics

Largest Supplier of Electrical and Electronic Components

Click to view similar products for [Modular Connectors / Ethernet Connectors](#) category:

Click to view products by [Bel Fuse](#) manufacturer:

Other Similar products are found below :

[8949-H88/06BLKA/SN](#) [74441-0010/BKN](#) [MP1010RX-1000](#) [MP44RX-1000](#) [PHJ-4P4C-1-V-4](#) [PHP-6P6C-5](#) [GAX-3-66](#) [GAX-8-62](#) [GDCX-PA-66-50](#) [GDCX-PN-64](#) [GDCX-PN-66](#) [GDCX-PN-66-50](#) [GDLX-A-66](#) [GDLX-N-66](#) [GDLX-S-66](#) [GDLX-S-88K](#) [GDLX-SMT-S-88](#) [GDTX-S-88-50](#) [GDX-PA-1010](#) [GLX-N-1010M-BLK](#) [GLX-S-88M-BLK](#) [GMX-N-1010](#) [GMX-S-1010](#) [GMX-S-66](#) [GMX-SMT4-N-88](#) [GPX-2-64](#) [GSGX-N-2-88](#) [GSGX-N-4-88](#) [GSX-NS2-88-3.05](#) [GSX-NS2-88-3.05-50](#) [GSX-NS-88-3.05-50](#) [PT-108A-8C-UL](#) [PT-J951-8C](#) [PTS-J531-8CS-50UL](#) [1-1775629-2](#) [A-2014-0-4](#) [GWLX-S-88-GR](#) [GWLX-S9-88-YG](#) [DC-1021-8-WH-6](#) [1300530003](#) [1324640-4](#) [RJ11FTVC2G](#) [RJ11FTVC2N](#) [RJFTVX2SA1G](#) [132764-001](#) [1413235](#) [MP88X-1000](#) [MPS88RX-5000](#) [E5288-S000K3-L](#) [E5908-15A242-L](#)