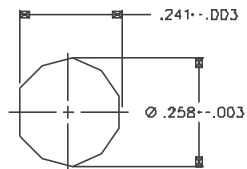


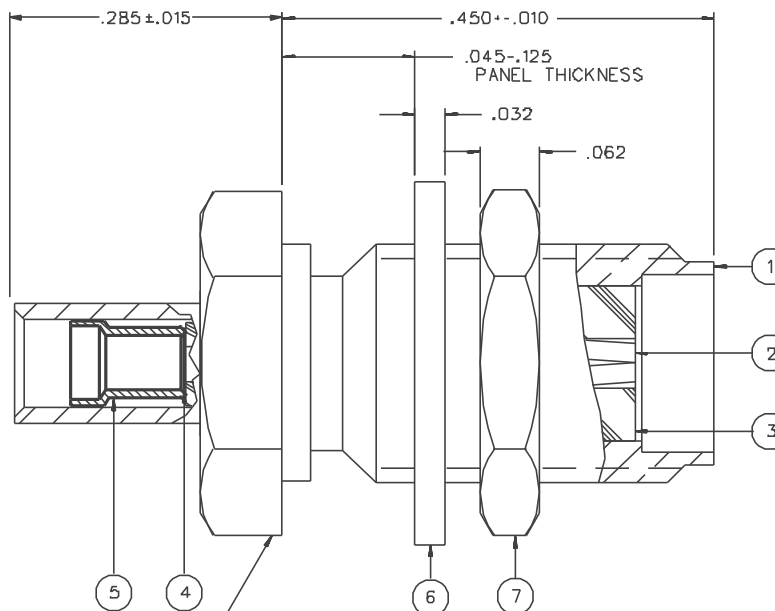
| PART NUMBER  | ITEM ①<br>BODY  | ITEM ②<br>CONTACT  | ITEM ③<br>INSULATOR | ITEM ④<br>INSULATOR | ITEM ⑤<br>CRIMP INSERT   | ITEM ⑥<br>WASHER  | ITEM ⑦<br>NUT   |
|--------------|---|--|---------------------|---------------------|--|---|---|
| 142-0302-431 | BRASS<br>GOLD PL .00001 MIN OVER<br>NICKEL PL .00005 MIN OVER<br>COPPER PL .00005 MIN | BERYLLIUM COPPER<br>GOLD PL .00005 MIN OVER<br>NICKEL PL .00005 MIN OVER<br>COPPER PL .00005 MIN | TEFLON              | TEFLON              | COPPER<br>GOLD PL .00001 MIN OVER<br>NICKEL PL .00005 MIN OVER<br>COPPER PL .00005 MIN | BRASS<br>GOLD PL .00001 MIN OVER<br>NICKEL PL .00005 MIN OVER<br>COPPER PL .00005 MIN | BRASS<br>GOLD PL .00001 MIN OVER<br>NICKEL PL .00005 MIN OVER<br>COPPER PL .00005 MIN |
| 142-0302-436 | BRASS<br>NICKEL PL .0001 MIN OVER<br>COPPER PL .00005 MIN                             | BERYLLIUM COPPER<br>GOLD PL .00005 MIN OVER<br>NICKEL PL .00005 MIN OVER<br>COPPER PL .00005 MIN | TEFLON              | TEFLON              | COPPER<br>NICKEL PL .0001 MIN OVER<br>COPPER PL .00005 MIN                             | BRASS<br>NICKEL PL .0001 MIN OVER<br>COPPER PL .00005 MIN                             | BRASS<br>NICKEL PL .0001 MIN OVER<br>COPPER PL .00005 MIN                             |

|  |                              |
|--|------------------------------|
| DRAWING NO.<br>C - 142-0302-431/440  |                              |
| 0 REVISIONS  |                              |
| ENGINEERING RELEASE  |                              |
| 1  | 9-2-97 R H A J B ECN 44893   |
| CHANGED: STRIP DIMENSIONS .261±.010 & .095±.010 WERE .249±.010 & .085±.010 |                              |
| * REVISION NUMBER FOLLOWED BY AN ALPHA *                                   |                              |
| * CHARACTER INDICATES DRAWING CLASS *                                      |                              |
| * CATION OR PART NUMBER ADDITION ONLY *                                    |                              |
| to   | 10-15-97 R H A J B ECN 45064 |

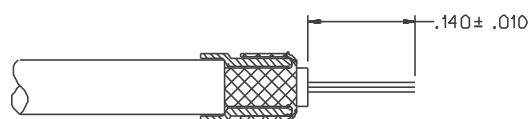
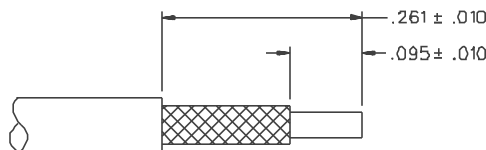


MOUNTING HOLE

4:1



2X HEX .312



CABLE STRIP DIMENSIONS

8:1

NOTES:

1. SPECIFICATIONS:

IMPEDANCE: 50 OHMS  
 FREQUENCY RANGE: D-12.4 GHz  
 VSWR: 1.20-.025 F MAX (F IN GHz)  
 WORKING VOLTAGE: 170 VRMS MAX AT SEA LEVEL  
 DIELECTRIC WITHSTANDING VOLTAGE: 500 VRMS MIN AT SEA LEVEL  
 INSULATION RESISTANCE: 5000 MEGOHM MIN  
 CONTACT RESISTANCE:

CENTER CONTACT - INITIAL 3.0 MILLIOHM MAX. AFTER ENVIRONMENTAL 4.0 MILLIOHM MAX

OUTER CONDUCTOR - INITIAL 2.0 MILLIOHM MAX AFTER ENVIRONMENTAL NOT APPLICABLE

BODY TO CABLE - 0.5 MILLIOHM MAX (GOLD PLATED) 5.0 MILLIOHM MAX (NICKEL PLATED)

CORONA LEVEL: 125 VOLTS MIN AT 70.000 FEET  
 INSERTION LOSS: .06√ F MAX (F IN GHz) AT 6 GHz  
 RF LEAKAGE: -80 DB MIN AT 2 TO 3 GHz  
 RF HIGH POTENTIAL WITHSTANDING VOLTAGE: 335 VRMS MIN AT 5 TO 7.5 MHZ

MECHANICAL:

ENGAGE/DISENGAGE TORQUE: 2 INCH-POUNDS MAX  
 MATING TORQUE: 7-10 INCH POUNDS  
 COUPLING PROOF TORQUE: NOT APPLICABLE  
 COUPLING NUT RETENTION: NOT APPLICABLE  
 CONTACT RETENTION: 6 LBS MIN AXIAL FORCE  
 CABLE ACCEPTABILITY: RG-178/U, RG-196/U  
 CABLE HEX CRIMP SIZE: .105  
 CONTACT CRIMP TOOL: MIL M22520/1-01  
 CABLE RETENTION: 10 LBS MIN AXIAL FORCE  
 DURABILITY: 500 CYCLES MIN

ENVIRONMENTAL:


(MEETS OR EXCEEDS THE APPLICABLE PARAGRAPH OF MIL-C-39012)  
 THERMAL SHOCK: MIL-STD-202, METHOD 107, CONDITION B, EXCEPT 85° C HIGH TEMP  
 OPERATING TEMPERATURE: -65 DEG C TO 165 DEG C  
 CORROSION: MIL-STD-202, METHOD 101, CONDITION B  
 SHOCK: MIL-STD-202, METHOD 213, CONDITION I  
 VIBRATION: MIL-STD-202, METHOD 204, CONDITION D  
 MOISTURE RESISTANCE: MIL-STD-202, METHOD 106

CUSTOMER DRAWING

THIS DRAWING TO BE INTERPRETED PER ANSI Y 14.5M - 1982

"μSTATION"

COMPANY CONFIDENTIAL

|                                      |                    |                 |  |                                     |
|--------------------------------------|--------------------|-----------------|--|-------------------------------------|
| TOLERANCE UNLESS OTHERWISE SPECIFIED | DRAWN BY<br>TAK    | DATE<br>4-11-97 |  <small>Cinch Connectivity Solutions<br/>299 Johnson Ave. Ste. 100<br/>Worcester, MA 01609<br/>1-800-247-8256</small> |                                     |
| DECIMALS<br>.XX                      | CHECKED BY         | DATE            | TITLE<br>JACK ASSEMBLY,<br>STRAIGHT CABLED BULKHEAD<br>SMA, RG 178   |                                     |
| .XXX REF                             | APPROVED BY<br>TAK | DATE<br>9-2-97  | CODE NO.   | DRAWING NO.<br>C - 142-0302-431/440 |
| MATL                                 | APPROVED BY<br>RJB | DATE<br>9-3-97  | SCALE 10:1   | U/W INCH SHEET 2 OF 2               |
| FINISH                               | RELEASE DATE       | 9-4-97          |  |                                     |

## X-ON Electronics

Largest Supplier of Electrical and Electronic Components

*Click to view similar products for [RF Connectors / Coaxial Connectors](#) category:*

*Click to view products by [Bel Fuse](#) manufacturer:*

Other Similar products are found below :

[8915-1511-000](#) [89674-0827](#) [6001-7071-019](#) [6002-7051-003](#) [6002-7551-202](#) [6059674-1](#) [619550-1](#) [630059-000](#) [M39030/3-01N](#) [6500-7071-046](#) [6769](#) [CX050L2AQ](#) [7002-1541-010](#) [7002-1542-011](#) [7004-1512-000](#) [7009-1511-004](#) [7010-1511-000](#) [7029-1511-060](#) [7101-1541-010](#) [7101-1571-002](#) [7145-1521-002](#) [7203-1571-003](#) [7209-1511-011](#) [7210-1511-015](#) [7210-1511-019](#) [73137-5015](#) [73216-2241](#) [73404-2300](#) [7405-1521-005](#) [7405-1521-802](#) [8527](#) [8547](#) [FS11V](#) [877931](#) [8808-1511-001](#) [9049-9513-000](#) [9074-9513-000](#) [9101-9573-002](#) [910A205F](#) [9130-9573-002](#) [PL11SC-026](#) [PL375-33](#) [PL40-5](#) [PL74C-221](#) [PL75MC-217](#) [PL803-7](#) [1200690078](#) [1-201144-1](#) [R107003010W](#) [R110A172100](#)