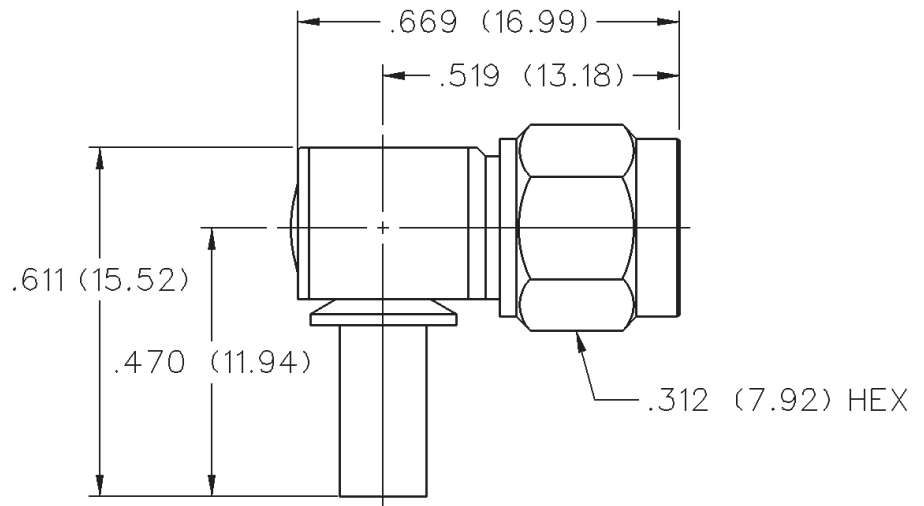
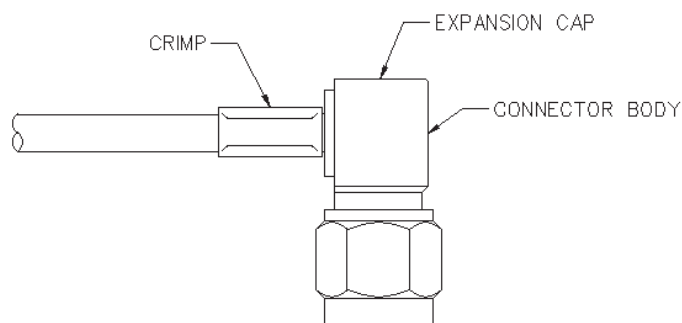
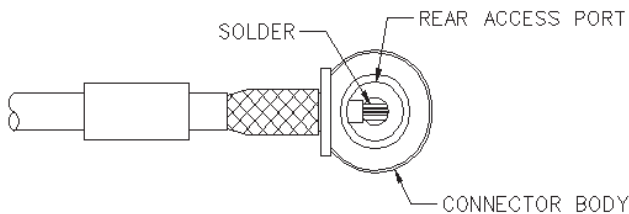
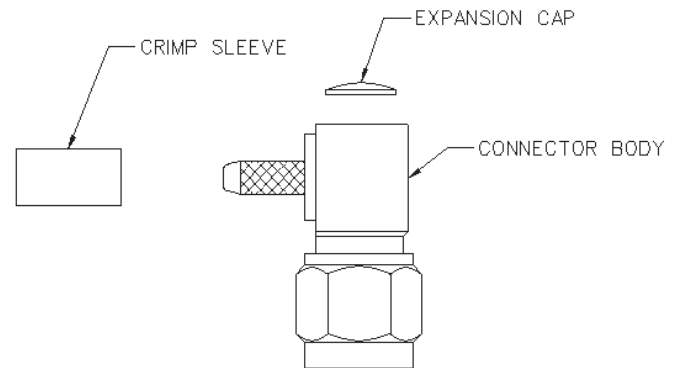
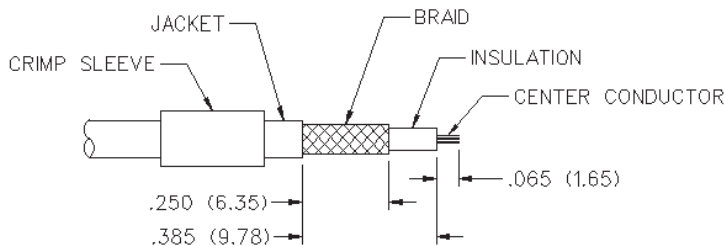


# SMA 50 Ohm Right Angle Crimp Type Plug - Captivated Contact



| CABLE TYPE             | VSWR & FREQ. RANGE            | GOLD PLATED  | NICKEL PLATED |
|------------------------|-------------------------------|--------------|---------------|
| RG-55/U, 142, 223, 400 | 1.15 + .02 f (GHz) 0-12.4 GHz | 142-0408-101 | 142-0408-106  |



| CABLE GROUP            | PART NUMBER  | CRIMP HEX   |
|------------------------|--------------|-------------|
| RG-55/u, 142, 223, 400 | 142-0408-101 | .213 (5.41) |
|                        | 142-0408-106 | .213 (5.41) |

1. Identify connector parts. (3 piece parts)
2. Strip cable to dimensions shown. Do not nick braid or center conductor. When stripping LMR-100 low loss cable, remove foil back to where cable jacket is stripped. A wire stripper of correct size is recommended for this step. Twist stranded center conductor into tight bundle and tin (optional). Slide crimp sleeve onto cable as shown.
3. Flare braid and slide cable into body making certain that the cable insulation bottoms on center contact. Solder center conductor to contact through the rear access port. Use a minimum amount of solder for a full fillet joint. **.020 (0.51) diameter solder is recommended.**
4. Arrange braid uniformly around crimp stem. Slide crimp sleeve over braid and crimp securely using recommended crimp tool. Place expansion cap in access port and seat with .187 (4.75) diameter flat punch. Shrink heat shrink tubing over crimp sleeve if applicable.

# SMA - 50 Ohm Connectors

Specifications



INCHES (MILLIMETERS)  
CUSTOMER DRAWINGS AVAILABLE UPON REQUEST

## ELECTRICAL RATINGS

**Impedance:** 50 ohms

**Frequency Range:**

|                                                                       |            |
|-----------------------------------------------------------------------|------------|
| Dummy loads                                                           | 0-2 GHz    |
| Flexible cable connectors                                             | 0-12.4 GHz |
| Uncabled receptacles, RA semi-rigid and adapters                      | 0-18.0 GHz |
| Straight semi-rigid cable connectors and field replaceable connectors | 0-26.5 GHz |

**VSWR:** (f = GHz)

|                               | Straight Cabled Connectors | Right Angle Cabled Connectors |
|-------------------------------|----------------------------|-------------------------------|
| RG-178 cable                  | 1.20 + .025f               | 1.20 + .03f                   |
| RG-316, LMR-100 cable         | 1.15 + .02f                | 1.15 + .03f                   |
| RG-58, LMR-195 cable          | 1.15 + .01f                | 1.15 + .02f                   |
| RG-142 cable                  | 1.15 + .01f                | 1.15 + .02f                   |
| LMR-200, LMR-240 cable        | 1.10 + .03f                | 1.10 + .06f                   |
| .086 semi-rigid               | 1.07 + .008f               | 1.18 + .015f                  |
| .141 semi-rigid (w/contact)   | 1.05 + .008f               | 1.15 + .015f                  |
| .141 semi-rigid (w/o contact) | 1.035 + .005f              |                               |

Jack-bulkhead jack adapter and plug-plug adapter ..... 1.05 + .01f

Jack-jack adapter and plug-jack adapter ..... 1.05 + .005f

Uncabled receptacles, dummy loads ..... N/A

Field replaceable (see page 59) ..... N/A

**Working Voltage:** (Vrms maximum)

**Connectors for Cable Type**

|                                                                                            | Sea Level | 70K Feet |
|--------------------------------------------------------------------------------------------|-----------|----------|
| RG-178                                                                                     | 170       | 45       |
| RG-316; LMR-100, 195, 200                                                                  | 250       | 65       |
| RG-58, RG-142, LMR-240, .086 semi-rigid, uncabled receptacles, .141 semi-rigid w/o contact | 335       | 85       |
| .141 semi-rigid with contact and adapters                                                  | 500       | 125      |
| Dummy loads                                                                                |           | N/A      |

**Dielectric Withstanding Voltage:** (VRMS minimum at sea level)

Connectors for RG-178 ..... 500

Connectors for RG-316; LMR-100, 195, 200 ..... 750

Connectors for RG-58, RG-142, LMR-240, .086 semi-rigid, field replaceable, uncabled receptacles ..... 1000

Connectors for .141 semi-rigid with contact and adapters ..... 1500

Connectors for .141 semi-rigid w/o contact, dummy loads ..... N/A

**Corona Level:** (Volts minimum at 70,000 feet)

Connectors for RG-178 ..... 125

Connectors for RG-316; LMR-100, 195, 200 ..... 190

Connectors for RG-58, RG-142, LMR-240, .086 semi-rigid, uncabled receptacles, .141 semi-rigid w/o contact ..... 250

Connectors for .141 semi-rigid with contact and adapters ..... 375

Dummy loads ..... N/A

**Insertion Loss:** (dB maximum)

|                                                      |      |                                    |
|------------------------------------------------------|------|------------------------------------|
| Straight flexible cable connectors and adapters      | 0.06 | $\sqrt{f}$ (GHz), tested at 6 GHz  |
| Right angle flexible cable connectors                | 0.15 | $\sqrt{f}$ (GHz), tested at 6 GHz  |
| Straight semi-rigid cable connectors with contact    | 0.03 | $\sqrt{f}$ (GHz), tested at 10 GHz |
| Right angle semi-rigid cable connectors              | 0.05 | $\sqrt{f}$ (GHz), tested at 10 GHz |
| Straight semi-rigid cable connectors w/o contact     | 0.03 | $\sqrt{f}$ (GHz), tested at 16 GHz |
| Straight low loss flexible cable connectors          | 0.06 | $\sqrt{f}$ (GHz), tested at 1 GHz  |
| Right Angle low loss flexible cable connectors       | 0.15 | $\sqrt{f}$ (GHz), tested at 1 GHz  |
| Uncabled receptacles, field replaceable, dummy loads |      | N/A                                |

**Insulation Resistance:** 5000 megohms minimum

**Contact Resistance:** (milliohms maximum) **Initial** **After Environmental**

Center contact (straight cabled connectors and uncabled receptacles) ..... 3.0\* 4.0\*

Center contact (right angle cabled connectors and adapters) ..... 4.0 6.0

Field replaceable connectors ..... 6.0 8.0

Outer contact (all connectors) ..... 2.0 N/A

Braid to body (gold plated connectors) ..... 0.5 N/A

Braid to body (nickel plated connectors) ..... 5.0 N/A

\*N/A where the cable center conductor is used as a contact

**RF Leakage:** (dB minimum, tested at 2.5 GHz)

Flexible cable connectors, adapters and .141 semi-rigid connectors w/o contact ..... -60 dB

Field replaceable w/o EMI gasket ..... -70 dB

.086 semi-rigid connectors and .141 semi-rigid connectors with contact, and field replaceable with EMI Gasket ..... -90 dB

Two-way adapters ..... -90 dB

Uncabled receptacles, dummy loads ..... N/A

**RF High Potential Withstanding Voltage:** (Vrms minimum, tested at 4 and 7 MHz)

Connectors for RG-178 ..... 335

Connectors for RG-316; LMR-100, 195, 200 ..... 500

Connectors for RG-58, RG-142, LMR-240, .086 semi-rigid, .141 semi-rigid cable w/o contact, uncabled receptacles ..... 670

Connectors for .141 semi-rigid with contact and adapters ..... 1000

**Power Rating (Dummy Load):** 0.5 watt @ +25°C, derated to 0.25 watt @ +125°C

## MECHANICAL RATINGS

**Engagement Design:** MIL-C-39012, Series SMA

**Engagement/Disengagement Force:** 2 inch-pounds maximum

**Mating Torque:** 7 to 10 inch-pounds

**Bulkhead Mounting Nut Torque:** 15 inch-pounds

**Coupling Proof Torque:** 15 inch-pounds minimum

**Coupling Nut Retention:** 60 pounds minimum

**Contact Retention:**

6 lbs. minimum axial force (captivated contacts)

4 inch-ounce minimum torque (uncabled receptacles)

**Cable Retention:**

**Axial Force\*(lbs) Torque (in-oz)**

Connectors for RG-178 ..... 10 N/A

Connectors for RG-316, LMR-100 ..... 20 N/A

Connectors for LMR-195, 200 ..... 30 N/A

Connectors for RG-58, LMR-240 ..... 40 N/A

Connectors for RG-142 ..... 45 N/A

Connectors for .086 semi-rigid ..... 30 16

Connectors for .141 semi-rigid ..... 60 55

\*Or cable breaking strength whichever is less.

**Durability:** 500 cycles minimum

100 cycles minimum for .141 semi-rigid connectors w/o contact

**ENVIRONMENTAL RATINGS** (Meets or exceeds the applicable paragraph of MIL-C-39012)

**Temperature Range:** -65°C to +165°C

**Thermal Shock:** MIL-STD-202, Method 107, Condition B

**Corrosion:** MIL-STD-202, Method 101, Condition B

**Shock:** MIL-STD-202, Method 213, Condition I

**Vibration:** MIL-STD-202, Method 204, Condition D

**Moisture Resistance:** MIL-STD-202, Method 106

†Avoid user injury due to misapplication. See safety advisory definitions inside front cover.

Cinch Connectivity Solutions

299 Johnson Avenue SW, Waseca, MN 56093 USA • 800.247.8256 • +1 507 833 8822 • cinchconnectivity.com

# SMA - 50 Ohm Connectors

Specifications



INCHES (MILLIMETERS)  
CUSTOMER DRAWINGS AVAILABLE UPON REQUEST

## MATERIAL SPECIFICATIONS

**Bodies:** Brass per QQ-B-626, gold plated\* per MIL-G-45204 .00001" min. or nickel plated per QQ-N-290

**Contacts:** Male - brass per QQ-B-626, gold plated per MIL-G-45204 .00003" min.

Female - beryllium copper per QQ-C-530, gold plated per MIL-G-45204 .00003" min.

**Nut Retention Spring:** Beryllium copper per QQ-C-533. Unplated

**Insulators:** PTFE fluorocarbon per ASTM D 1710 and ASTM D 1457 or Tefzel per ASTM D 3159 or PFA 340 per ASTM

**Expansion Caps:** Brass per QQ-B-613, gold plated per MIL-G-45204 .00001" min. or nickel plated per QQ-N-290

**Crimp Sleeves:** Copper per WW-T-799 or brass per QQ-B-613, gold plated per MIL-G-45204 .00001" min. or nickel plated per QQ-N-290

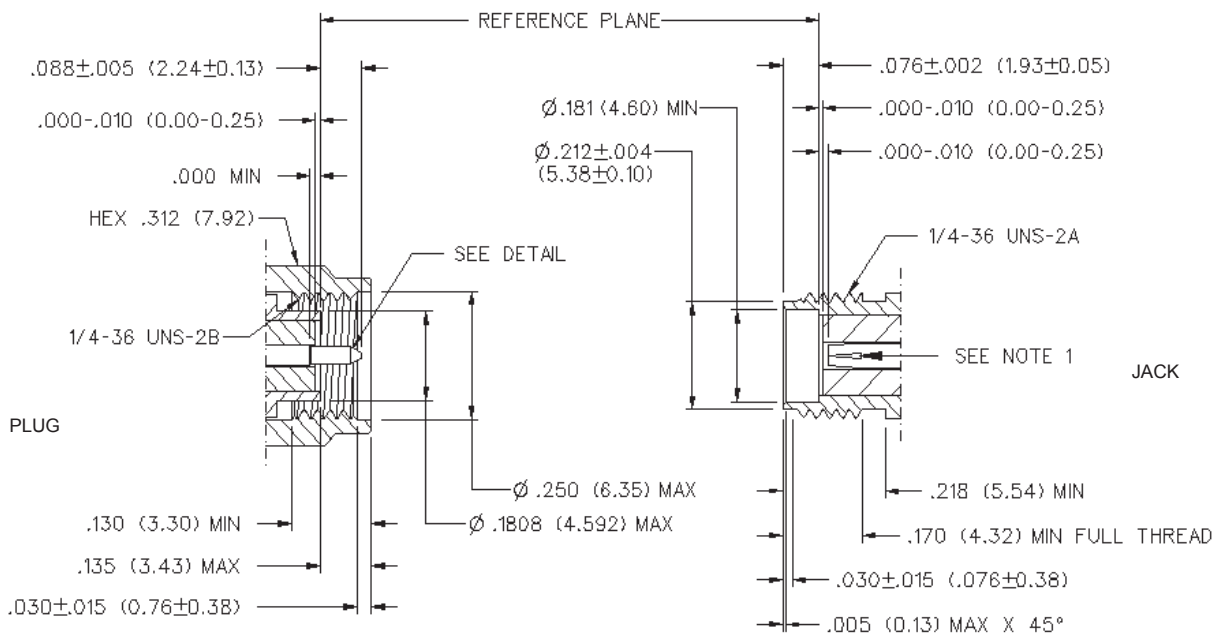
**Mounting Hardware:** Brass per QQ-B-626 or QQ-B-613, gold plated per MIL-G-45204 .00001" min. or nickel plated per QQ-N-290

**Seal Rings:** Silicone rubber per ZZ-R-765

**EMI Gaskets:** Conductive silicone rubber per MIL-G-83528, Type M

\* All gold plated parts include a .00005" min. nickel underplate barrier layer.

### Mating Engagement for SMA Series per MIL-C-39012



#### NOTES

1. ID OF CONTACT TO MEET VSWR, CONTACT RESISTANCE AND INSERTION WITHDRAWAL FORCES WHEN MATED WITH DIA .0355-.0370 MALE PIN.

Cinch Connectivity Solutions

299 Johnson Avenue SW, Waseca, MN 56093 USA • 800.247.8256 • +1 507 833 8822 • cinchconnectivity.com

## X-ON Electronics

Largest Supplier of Electrical and Electronic Components

*Click to view similar products for [RF Connectors / Coaxial Connectors](#) category:*

*Click to view products by [Bel Fuse](#) manufacturer:*

Other Similar products are found below :

[8915-1511-000](#) [89674-0827](#) [6001-7071-019](#) [6002-7051-003](#) [6002-7551-202](#) [6059674-1](#) [619550-1](#) [630059-000](#) [M39030/3-01N](#) [6500-7071-046](#) [6769](#) [CX050L2AQ](#) [7002-1541-010](#) [7002-1542-011](#) [7004-1512-000](#) [7009-1511-004](#) [7010-1511-000](#) [7029-1511-060](#) [7101-1541-010](#) [7101-1571-002](#) [7145-1521-002](#) [7203-1571-003](#) [7209-1511-011](#) [7210-1511-015](#) [7210-1511-019](#) [73137-5015](#) [73216-2241](#) [73404-2300](#) [7405-1521-005](#) [7405-1521-802](#) [8527](#) [8547](#) [FS11V](#) [877931](#) [8808-1511-001](#) [9049-9513-000](#) [9074-9513-000](#) [9101-9573-002](#) [910A205F](#) [9130-9573-002](#) [PL11SC-026](#) [PL375-33](#) [PL40-5](#) [PL74C-221](#) [PL75MC-217](#) [PL803-7](#) [980-8666-005](#) [1200690078](#) [1-201144-1](#) [R107003010W](#)