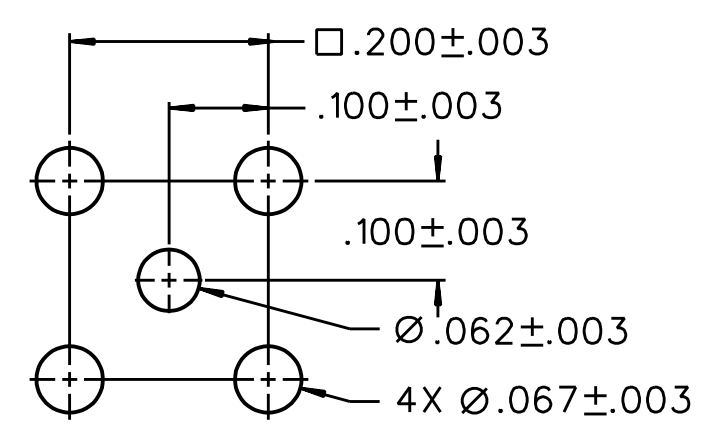
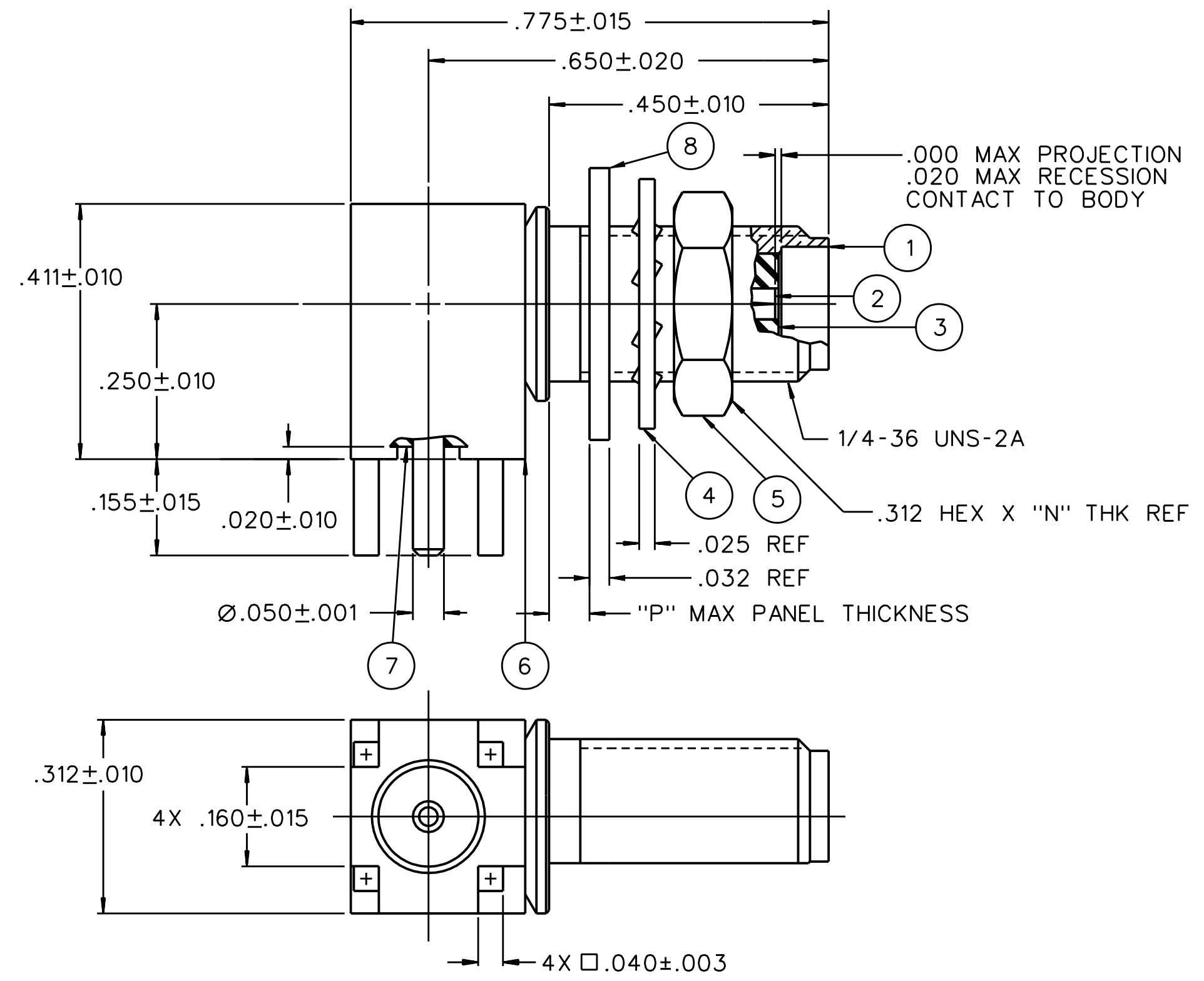
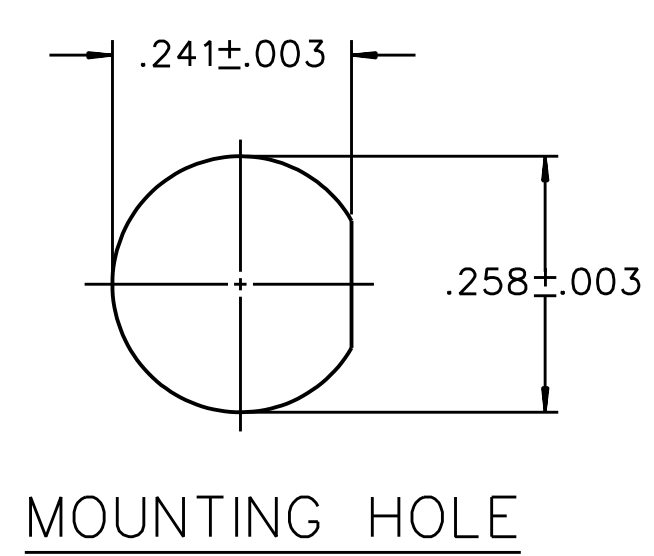


PART NUMBER	ITEM ① BODY	ITEM ② CONTACT (ONE PIECE)	ITEM ③ BODY INSULATOR	ITEM ④ LOCK WASHER	ITEM ⑤ NUT	ITEM ⑥ BASE	ITEM ⑦ BASE INSULATOR	ITEM ⑧ FLAT WASHER	"N"	"P"	DRAWING NO.
142-0701-501	BRASS GOLD PL .00001 MIN OVER NICKEL PL .0001 MIN OVER COPPER PL .00005 MIN	BERYLLIUM COPPER GOLD PL .00005 MIN OVER NICKEL PL .00005 MIN OVER COPPER PL .00005 MIN	TEFLON	BRONZE GOLD PL .00001 MIN OVER NICKEL PL .0001 MIN OVER COPPER PL .00005 MIN	BRASS GOLD PL .00001 MIN OVER NICKEL PL .0001 MIN OVER COPPER PL .00005 MIN	BRASS GOLD PL .00001 MIN OVER NICKEL PL .0001 MIN OVER COPPER PL .00005 MIN	TEFLON		.094	.109	C - 142-0701-501/510
142-0701-502	BRASS GOLD PL .00001 MIN OVER NICKEL PL .0001 MIN OVER COPPER PL .00005 MIN	BERYLLIUM COPPER GOLD PL .00005 MIN OVER NICKEL PL .00005 MIN OVER COPPER PL .00005 MIN	TEFLON			BRASS GOLD PL .00001 MIN OVER NICKEL PL .0001 MIN OVER COPPER PL .00005 MIN	TEFLON		.094	.109	0 REVISIONS
142-0701-503	BRASS GOLD PL .00001 MIN OVER NICKEL PL .0001 MIN OVER COPPER PL .00005 MIN	BERYLLIUM COPPER GOLD PL .00005 MIN OVER NICKEL PL .00005 MIN OVER COPPER PL .00005 MIN	TEFLON		BRASS GOLD PL .00001 MIN OVER NICKEL PL .0001 MIN OVER COPPER PL .00005 MIN	BRASS GOLD PL .00001 MIN OVER NICKEL PL .0001 MIN OVER COPPER PL .00005 MIN	TEFLON	BRASS GOLD PL .00001 MIN OVER NICKEL PL .0001 MIN OVER COPPER PL .00005 MIN	.063	.125	01 03-15-89 [E][J][R][A] [W] 04-12-89 ECO 23895
142-0701-505	BRASS GOLD FLASH	BERYLLIUM COPPER GOLD FLASH	TEFLON		BRASS GOLD FLASH	BRASS GOLD FLASH	TEFLON	BRASS GOLD FLASH	.063	.125	02 09-14-89 [E][J][R][A] [W] 09-19-89 ECO 24146
142-0701-506	BRASS NICKEL PL .0001 MIN OVER COPPER PL .00005 MIN	BERYLLIUM COPPER GOLD PL .00005 MIN OVER NICKEL PL .00005 MIN OVER COPPER PL .00005 MIN	TEFLON	BRONZE NICKEL PL .0001 MIN OVER COPPER PL .00005 MIN	BRASS NICKEL PL .0001 MIN OVER COPPER PL .00005 MIN	BRASS NICKEL PL .0001 MIN OVER COPPER PL .00005 MIN	TEFLON		.094	.109	03 09-14-89 [E][J][R][A] [W] 10-25-89 ECO 24177
142-0701-507	BRASS NICKEL PL .0001 MIN OVER COPPER PL .00005 MIN	BERYLLIUM COPPER GOLD PL .00005 MIN OVER NICKEL PL .00005 MIN OVER COPPER PL .00005 MIN	TEFLON		BRASS NICKEL PL .0001 MIN OVER COPPER PL .00005 MIN	BRASS NICKEL PL .0001 MIN OVER COPPER PL .00005 MIN	TEFLON	BRASS NICKEL PL .0001 MIN OVER COPPER PL .00005 MIN	.063	.125	VERSION UPDATE.
142-0701-508	BRASS NICKEL PL .0001 MIN OVER COPPER PL .00005 MIN	BERYLLIUM COPPER GOLD PL .00005 MIN OVER NICKEL PL .00005 MIN OVER COPPER PL .00005 MIN	TEFLON	BRONZE NICKEL PL .0001 MIN OVER COPPER PL .00005 MIN	BRASS NICKEL PL .0001 MIN OVER COPPER PL .00005 MIN	BRASS NICKEL PL .0001 MIN OVER COPPER PL .00005 MIN	TEFLON	BRASS NICKEL PL .0001 MIN OVER COPPER PL .00005 MIN	.094	.072	4 9-6-91 [R][H][P][R] [M] 10-11-91 ECO 40551



NOTES:

1. SPECIFICATIONS:

IMPEDANCE: 50 OHMS  
 FREQUENCY RANGE: 0-18 GHZ  
 VSWR: NOT APPLICABLE  
 WORKING VOLTAGE: 335 VRMS MAX AT SEA LEVEL  
 DIELECTRIC WITHSTANDING VOLTAGE: 1000 VRMS MIN AT SEA LEVEL  
 INSULATION RESISTANCE: 5000 MEGOHM MIN  
 CONTACT RESISTANCE:  
 CENTER CONTACT - INITIAL 3.0 MILLIOHM MAX, AFTER ENVIRONMENTAL 4.0 MILLIOHM MAX  
 OUTER CONDUCTOR - INITIAL 2.0 MILLIOHM MAX AFTER ENVIRONMENTAL NOT APPLICABLE  
 BRAID TO BODY - NOT APPLICABLE  
 CORONA LEVEL: 250 VOLTS MIN AT 70,000 FEET  
 INSERTION LOSS: NOT APPLICABLE  
 RF LEAKAGE: NOT APPLICABLE  
 RF HIGH POTENTIAL WITHSTANDING VOLTAGE: 670 VRMS AT 4 AND 7 MHZ MIN

MECHANICAL:

ENGAGE/DISENGAGE TORQUE: 2 INCH-POUNDS MAX  
 MATING TORQUE: 7-10 INCH POUNDS  
 COUPLING PROOF TORQUE: NOT APPLICABLE  
 COUPLING NUT RETENTION: NOT APPLICABLE  
 CONTACT RETENTION: 6 LBS MIN AXIAL FORCE  
 CABLE ACCEPTABILITY: NOT APPLICABLE  
 CABLE HEX CRIMP SIZE: NOT APPLICABLE  
 CABLE RETENTION: NOT APPLICABLE  
 DURABILITY: 500 CYCLES MIN

ENVIRONMENTAL:

(MEETS OR EXCEEDS THE APPLICABLE PARAGRAPH OF MIL-PRF-39012)  
 THERMAL SHOCK: MIL-STD-202, METHOD 107, CONDITION B  
 OPERATING TEMPERATURE: -65 DEG C TO 165 DEG C  
 CORROSION: MIL-STD-202, METHOD 101, CONDITION B  
 SHOCK: MIL-STD-202, METHOD 213, CONDITION I  
 VIBRATION: MIL-STD-202, METHOD 204, CONDITION D  
 MOISTURE RESISTANCE: MIL STD 202, METHOD 106

CHANGED: .775±.015 WAS .837±.015, .312±.010 WAS DIA .375±.010, 4X .040±.003 WAS 4X .040±.003, RF HIGH POT 4 AND 7 MHZ WAS 5 MHZ

9-29-92 [R][H][P][R] [M] 10-6-92 ECO 41206

CHANGED: .411±.010 WAS .406±.010

9-14-94 [R][H][P][R] [M] 9-27-94 ECN 46271

ADDED: P/N 142-0701-502

6a 2-17-97 [R][H][P][R] [M] ECN 44649

CHANGED: ITEM 4 LOCKWASHER BRONZE WAS BRASS, .094 THK REF WAS .063 THK REF, .025 REF WAS .032 REF, .109 MAX PANEL THICKNESS WAS .125 MAX PANEL THICKNESS, UPDATED GRAPHICS

7 12-4-02 [R][H][P][R] [M] ECN 47942

ADDED: P/N 142-0701-503, TABULATED DIMENSIONS "N", "P" & "W"

\*\*\*\*\*  
 \* REVISION NUMBER FOLLOWED BY AN ALPHA \*  
 \* CHARACTER INDICATES DRAWING CLARIFICATION OR PART NUMBER ADDITION ONLY. \*  
 \*\*\*\*\*

7a 5-8-03 [R][H][P][R] [M] ECN 48803

ADDED: P/N 142-0701-507

\*\*\*\*\*  
 \* REVISION NUMBER FOLLOWED BY AN ALPHA \*  
 \* CHARACTER INDICATES DRAWING CLARIFICATION OR PART NUMBER ADDITION ONLY. \*  
 \*\*\*\*\*

7b 12-3-03 [R][H][P][R] [M] 12-15-03 ECN 49089

ADDED: P/N 142-0701-508

\*\*\*\*\*  
 \* REVISION NUMBER FOLLOWED BY AN ALPHA \*  
 \* CHARACTER INDICATES DRAWING CLARIFICATION OR PART NUMBER ADDITION ONLY. \*  
 \*\*\*\*\*

7c 10-21-04 [R][H][P][R] [M] 11-2-04 ECN 49495

ADDED: P/N 142-0701-505

7d 4-25-14 [C][W][D][E] [S][M] 4-25-14 ECO 54984

008 5-24-17 [C][W][D][E] [S][M] 5-24-17 ECO 56740

CUSTOMER DRAWING

THIS DRAWING TO BE INTERPRETED PER ASME Y 14.5M - 1994

"μ STATION"

COMPANY CONFIDENTIAL

TOLERANCE UNLESS OTHERWISE SPECIFIED	DRAWN BY <b>Bedney</b>	DATE 3-1-89		<b>cinch</b> CONNECTIVITY SOLUTIONS a bel group	P.O. Box 1732 Waseca, MN 56093 1-800-247-8256
DECIMALS	CHECKED BY	DATE			
.XX			TITLE	JACK ASSEMBLY, RA PC MOUNT BULKHEAD SMA	
.XXX			APPROVED BY RJB	DATE 3-15-89	
MATL			RELEASE DATE	10-25-89	SHEET 2 OF 2
FINISH			U/M	INCH	SCALE
				5:1	DRAWING NO. C - 142-0701-501/510

## X-ON Electronics

Largest Supplier of Electrical and Electronic Components

*Click to view similar products for [RF Connectors / Coaxial Connectors](#) category:*

*Click to view products by [Bel Fuse](#) manufacturer:*

Other Similar products are found below :

[8915-1511-000](#) [89674-0827](#) [6001-7071-019](#) [6002-7051-003](#) [6002-7551-202](#) [6059674-1](#) [619550-1](#) [630059-000](#) [M39030/3-01N](#) [6500-7071-046](#) [6769](#) [CX050L2AQ](#) [7002-1541-010](#) [7002-1542-011](#) [7004-1512-000](#) [7009-1511-004](#) [7010-1511-000](#) [7029-1511-060](#) [7101-1541-010](#) [7101-1571-002](#) [7145-1521-002](#) [7203-1571-003](#) [7209-1511-011](#) [7210-1511-015](#) [7210-1511-019](#) [73137-5015](#) [73216-2241](#) [73404-2300](#) [7405-1521-005](#) [7405-1521-802](#) [8527](#) [8547](#) [FS11V](#) [877931](#) [8808-1511-001](#) [9049-9513-000](#) [9074-9513-000](#) [9101-9573-002](#) [910A205F](#) [9130-9573-002](#) [PL11SC-026](#) [PL375-33](#) [PL40-5](#) [PL74C-221](#) [PL75MC-217](#) [PL803-7](#) [1200690078](#) [1-201144-1](#) [R107003010W](#) [R110A172100](#)