

PART NUMBER	ITEM ① BODY	ITEM ② CONTACT	ITEM ③ INSULATOR	ITEM ④ END CAP	PACKAGING
142-0741-841	BRASS GOLD PL .00001 MIN OVER NICKEL PL .00005 MIN OVER COPPER PL .00005 MIN	BERYLLIUM COPPER GOLD PL .00001-.00002 OVER NICKEL PL .00005 MIN OVER COPPER PL .00005 MIN	TEFLON	BRASS GOLD PL .00001 MIN OVER NICKEL PL .00005 MIN OVER COPPER PL .00005 MIN	BULK PACK 25 PCS
142-0741-842	BRASS GOLD PL .00001 MIN OVER NICKEL PL .00005 MIN OVER COPPER PL .00005 MIN	BERYLLIUM COPPER GOLD PL .00001-.00002 OVER NICKEL PL .00005 MIN OVER COPPER PL .00005 MIN	TEFLON	BRASS GOLD PL .00001 MIN OVER NICKEL PL .00005 MIN OVER COPPER PL .00005 MIN	TAPE AND REEL 475 PCS. PER FIG 1

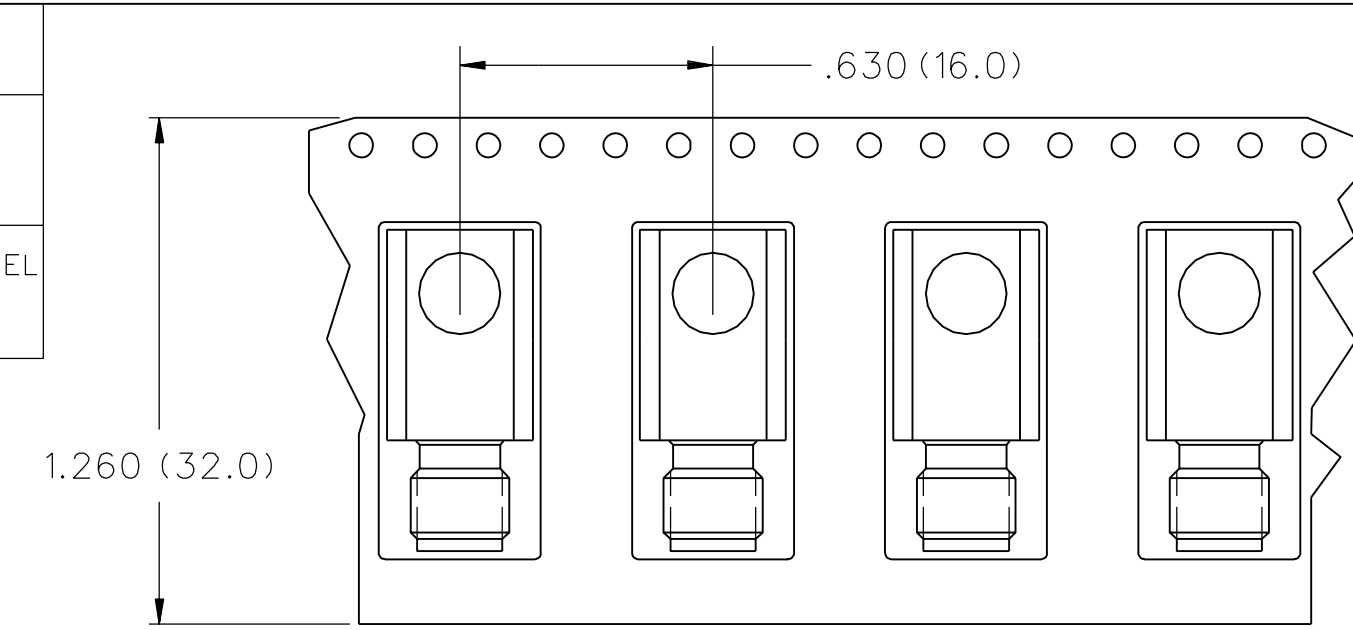
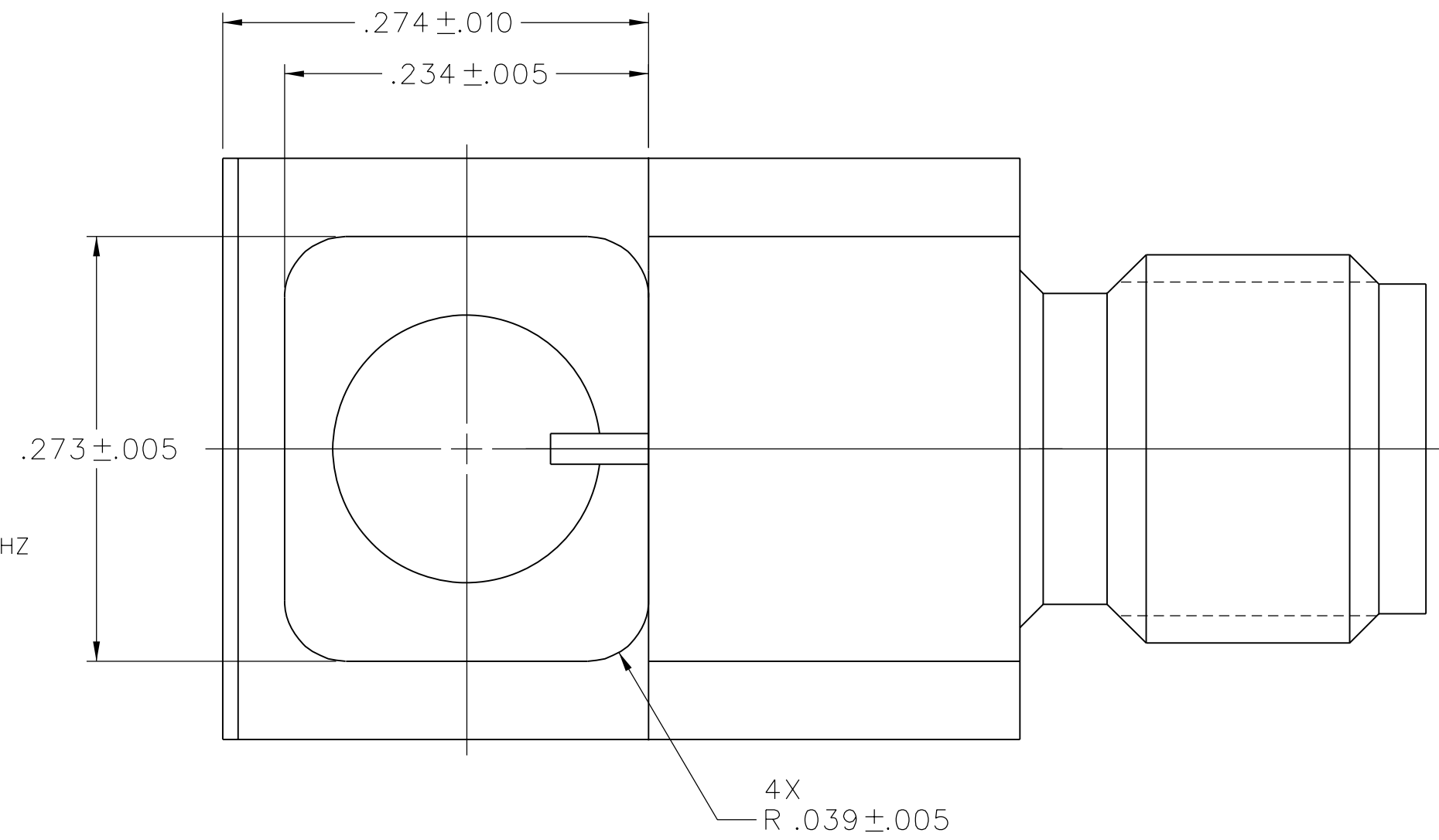
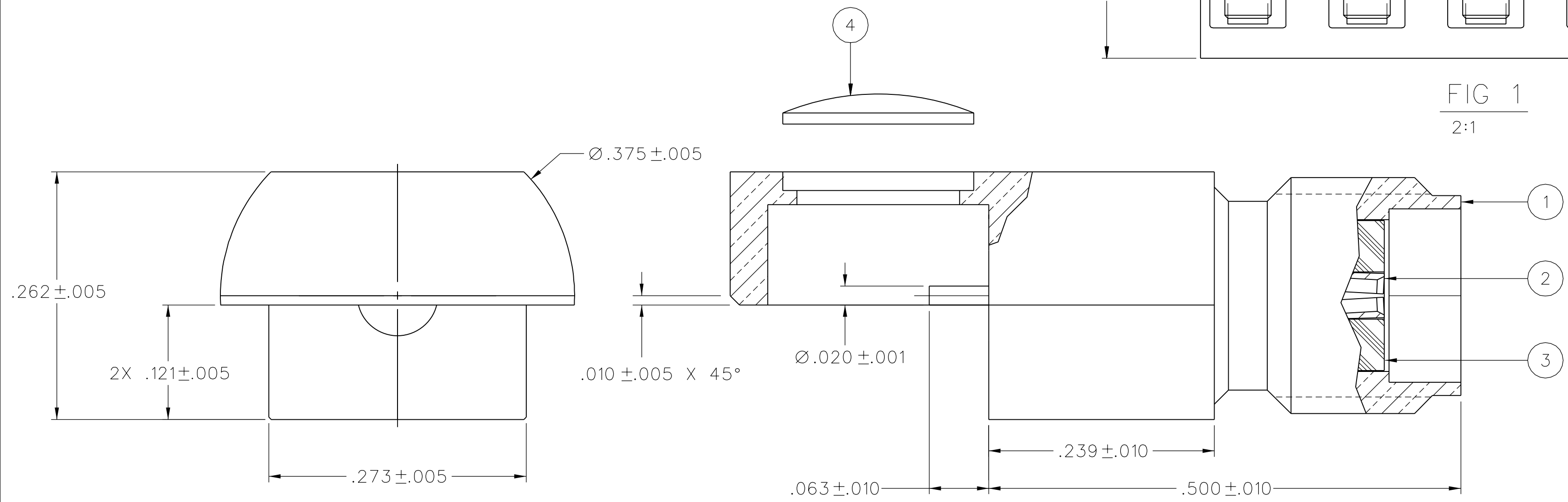


FIG 1  
2:1



NOTES:

- SPECIFICATIONS:
  - IMPEDANCE: 50 OHMS
  - FREQUENCY RANGE: 0-18 GHz
  - VSWR: NOT APPLICABLE
  - WORKING VOLTAGE: 335 VRMS MAX AT SEA LEVEL
  - DIELECTRIC WITHSTANDING VOLTAGE: 1000 VRMS MIN AT SEA LEVEL
  - INSULATION RESISTANCE: 5000 MEGOHM MIN
  - CONTACT RESISTANCE:
    - CENTER CONTACT - INITIAL 3 MILLIOHM MAX, AFTER ENVIRONMENTAL 4 MILLIOHM MAX
    - OUTER CONDUCTOR - INITIAL 2 MILLIOHM MAX, AFTER ENVIRONMENTAL NOT APPLICABLE
  - BRAID TO BODY - NOT APPLICABLE
  - CORONA LEVEL: 250 VOLTS MIN AT 70,000 FEET
  - INSERTION LOSS: NOT APPLICABLE
  - RF LEAKAGE: NOT APPLICABLE
  - RF HIGH POTENTIAL WITHSTANDING VOLTAGE: 670 VRMS AT 4 AND 7 MHZ
- MECHANICAL:
  - ENGAGE/DISENGAGE TORQUE: 2 INCH-POUNDS MAX
  - MATING TORQUE: 7-10 INCH POUNDS MAX
  - COUPLING PROOF TORQUE: 15 INCH POUNDS MAX
  - COUPLING NUT RETENTION: NOT APPLICABLE
  - CONTACT RETENTION: 6 LBS MIN AXIAL FORCE
  - CABLE ACCEPTABILITY: NOT APPLICABLE
  - CABLE HEX CRIMP SIZE: NOT APPLICABLE
  - CABLE RETENTION: NOT APPLICABLE
  - DURABILITY: 500 CYCLES MIN
- ENVIRONMENTAL:
  - (MEETS OR EXCEEDS THE APPLICABLE PARAGRAPH OF MIL-PRF-39012)
  - THERMAL SHOCK: MIL-STD-202, METHOD 107, CONDITION B
  - OPERATING TEMPERATURE: -65 DEG C TO 165 DEG C
  - CORROSION: MIL-STD-202, METHOD 101, CONDITION B
  - SHOCK: MIL-STD-202, METHOD 213, CONDITION I
  - VIBRATION: MIL-STD-202, METHOD 204, CONDITION D

DRAWING NO.  
C - 142-0741-841/850

REVISIONS					
NO.	DATE	BY	REASON	DATE	BY
0			ENGINEERING RELEASE		
1	6-3-02	RJB		6-10-02	ECN 48423
2	11-8-02	RHB			ECN 48604
3	6-6-08	PTAJ		6-12-08	ECN 51536

CHANGED: ITEM 2 CONTACT GOLD PL .00001-.00002 WAS .00005 MAX

ADD: NOTE PLATING THICKNESS MEASURED ON BODY TOP SURFACE AND CONTACT .020 DIAMETER

CUSTOMER DRAWING

THIS DRAWING TO BE INTERPRETED PER ASME Y 14.5M - 1994

"μSTATION"

COMPANY CONFIDENTIAL

TOLERANCE UNLESS OTHERWISE SPECIFIED		DRAWN BY	DATE
DECIMALS	mm	RJB	6-3-02
.XX	_____	CHECKED BY	DATE
.XXX	_____	APPROVED BY	DATE
MATL	_____	RJB	6-10-02
FINISH	_____	RELEASE DATE	6-10-02
		U/M	INCH
		SCALE	10:1

**Connectivity Solutions**  
P.O. Box 1732  
Waseca, MN 56093  
1-800-247-8256

**EMERSON**  
Network Power

TITLE  
JACK ASSEMBLY  
SURFACE MOUNT END LAUNCH  
SMA

SHEET 2 OF 2  
DRAWING NO.  
C - 142-0741-841/850

## X-ON Electronics

Largest Supplier of Electrical and Electronic Components

*Click to view similar products for [RF Connectors / Coaxial Connectors](#) category:*

*Click to view products by [Bel Fuse](#) manufacturer:*

Other Similar products are found below :

[8915-1511-000](#) [89674-0827](#) [6001-7071-019](#) [6002-7051-003](#) [6002-7551-202](#) [6059674-1](#) [619550-1](#) [630059-000](#) [M39030/3-01N](#) [6500-7071-046](#) [6769](#) [CX050L2AQ](#) [7002-1541-010](#) [7002-1542-011](#) [7004-1512-000](#) [7009-1511-004](#) [7010-1511-000](#) [7029-1511-060](#) [7101-1541-010](#) [7101-1571-002](#) [7145-1521-002](#) [7203-1571-003](#) [7209-1511-011](#) [7210-1511-015](#) [7210-1511-019](#) [73137-5015](#) [73216-2241](#) [73404-2300](#) [7405-1521-005](#) [7405-1521-802](#) [8527](#) [8547](#) [FS11V](#) [877931](#) [8808-1511-001](#) [9049-9513-000](#) [9074-9513-000](#) [9101-9573-002](#) [910A205F](#) [9130-9573-002](#) [PL11SC-026](#) [PL375-33](#) [PL40-5](#) [PL74C-221](#) [PL75MC-217](#) [PL803-7](#) [1200690078](#) [1-201144-1](#) [R107003010W](#) [R110A172100](#)