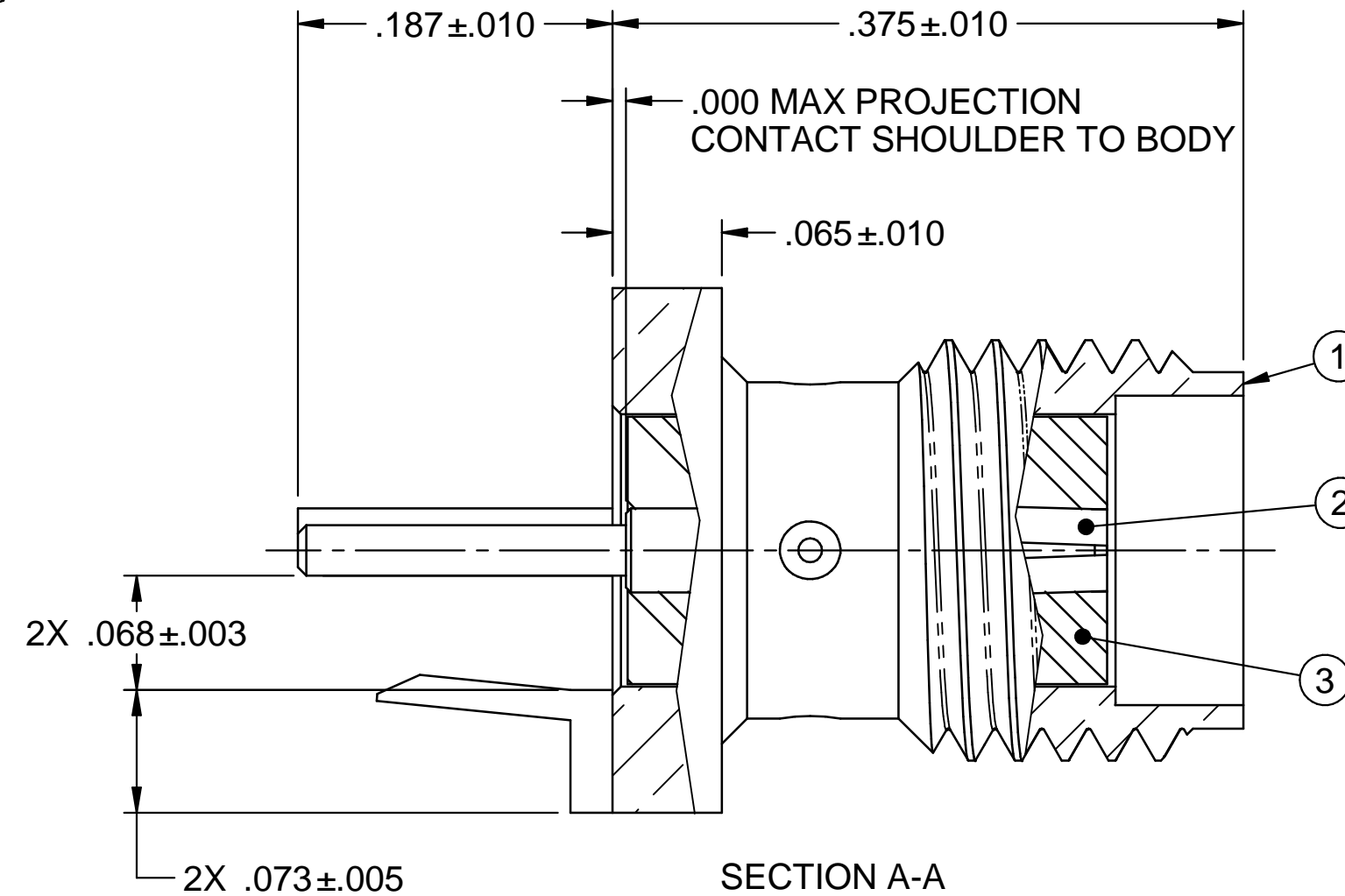
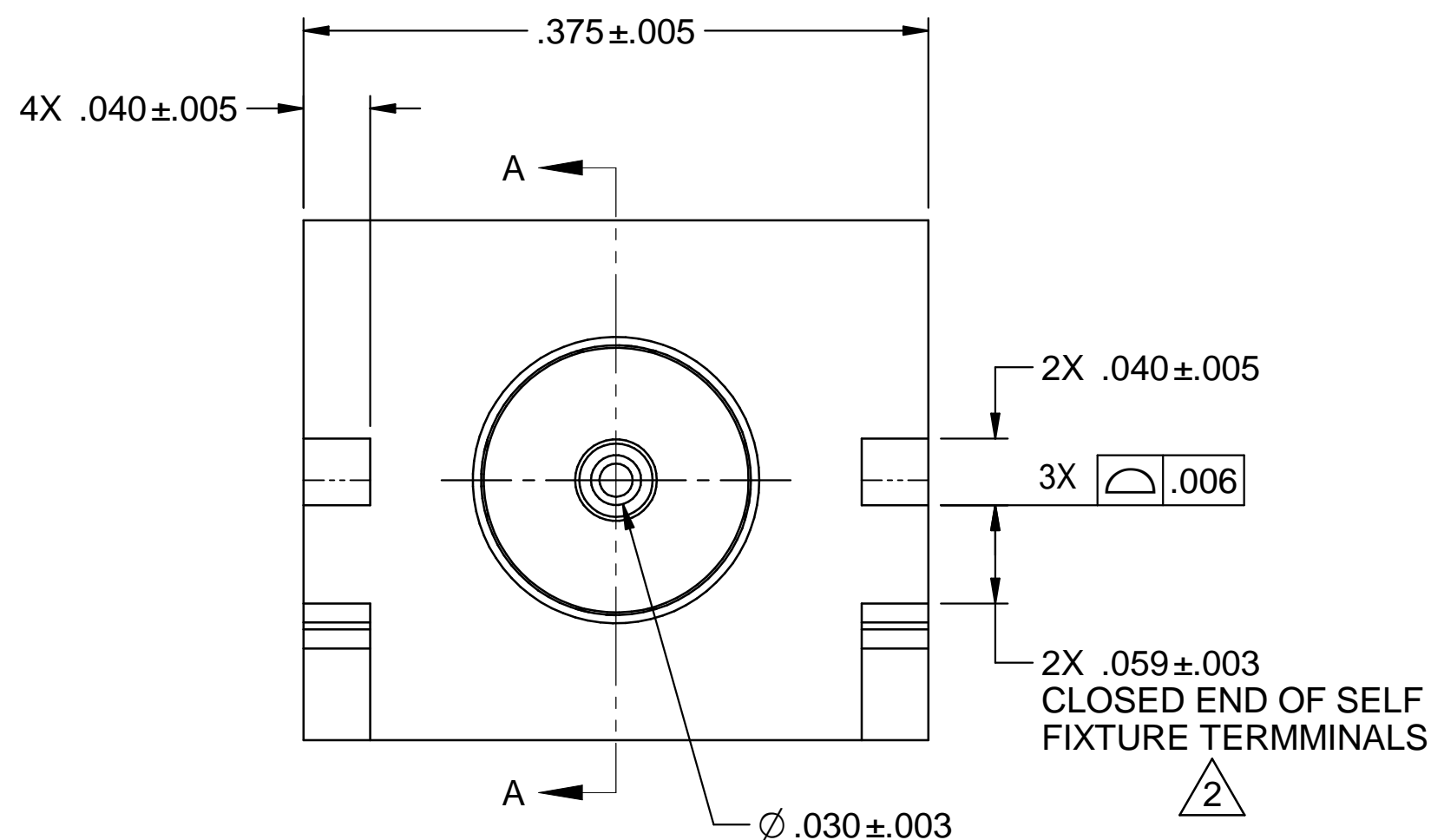
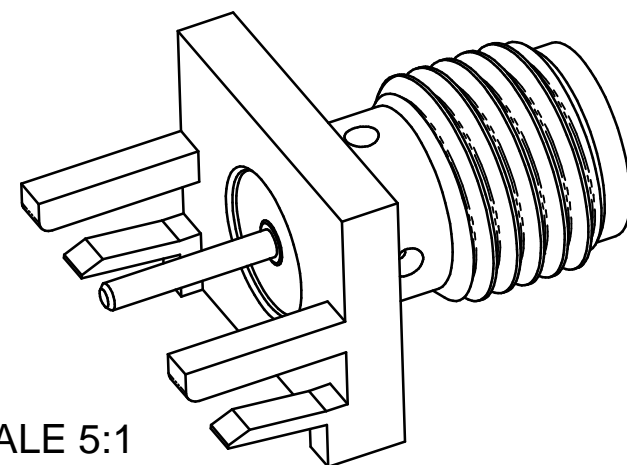


PART NUMBER	ITEM 1 BODY	ITEM 2 CONTACT	ITEM 3 INSULATOR
142-0791-801	BRASS GOLD PL .00001 MIN OVER NICKEL PL .00005 MIN OVER COPPER PL .00005 MIN	BERYLLIUM COPPER GOLD PL .00005 MIN OVER NICKEL PL .00005 MIN OVER COPPER PL .00005 MIN	TEFLON

ZONE	REV	ECO	DESCRIPTION	APPR.	DATE
	1	52058	RELEASED	TAK	10/13/09
	1A	53953		TAK	1/16/12



NOTES: UNLESS OTHERWISE SPECIFIED.

1. SPECIFICATIONS:

ELECTRICAL:

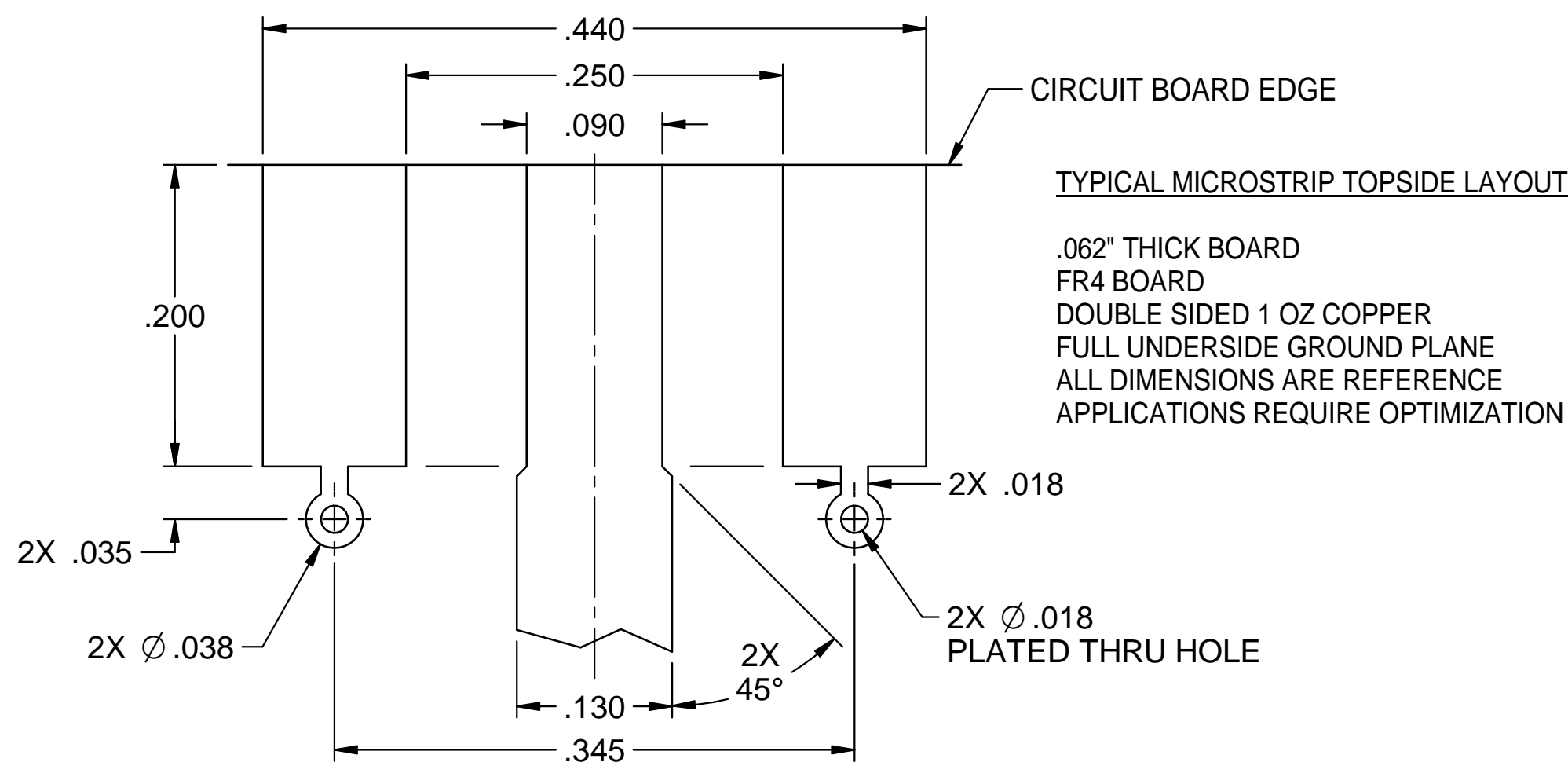
- IMPEDANCE: 50 OHMS
- FREQUENCY RANGE: 0-18 GHz
- VSWR: <math>< 1.50</math> TYPICAL AT 0-18 GHz
- WORKING VOLTAGE: 335 VRMS MAX AT SEA LEVEL
- DIELECTRIC WITHSTANDING VOLTAGE: 1000 VRMS MIN AT SEA LEVEL
- INSULATION RESISTANCE: 5000 MEGOHMS MIN
- CONTACT RESISTANCE: CENTER CONTACT - INITIAL 3 MILLIOHMS MAX
AFTER ENVIRONMENTAL - 4 MILLIOHMS MAX
OUTER CONDUCTOR - INITIAL 2.0 MILLIOHMS MAX
AFTER ENVIRONMENTAL - N/A
- CORONA LEVEL: 250 VOLTS MIN AT 70,000 FEET
- RF HIGH POTENTIAL WITHSTANDING VOLTAGE: 670 VRMS MIN AT 4 AND 7 MHz

MECHANICAL:

- ENGAGEMENT/DISENGAGEMENT TORQUE: 2 INCH POUNDS MAX
- MATING TORQUE: 7-10 INCH POUNDS
- CONTACT RETENTION: 6 LBS MIN AXIAL FORCE
4 OZ-IN MIN RADIAL TORQUE
- DURABILITY: 500 CYCLES MIN

ENVIRONMENTAL:

- (MEETS OR EXCEEDS THE APPLICABLE PARAGRAPH OF MIL-PRF-39012)
- THERMAL SHOCK: MIL-STD-202, METHOD 107, CONDITION B
- OPERATING TEMPERATURE: -65°C TO 165°C
- CORROSION: MIL-STD-202, METHOD 101, CONDITION B
- SHOCK: MIL-STD-202, METHOD 213, CONDITION I
- VIBRATION: MIL-STD-202, METHOD 204, CONDITION D
- MOISTURE RESISTANCE: MIL-STD-202, METHOD 106



2. ALL CONNECTOR TERMINALS SHALL BE SOLDERED TO THE CIRCUIT BOARD.

<p>This PROPRIETARY Document is property of Cinch Connectivity Solutions. It is confidential in nature, non-transferable, and issued with the clear understanding that it is not traced or copied without permission and is returnable upon demand.</p> <p>INTERPRET DRAWING IN ACCORDANCE WITH ASME Y14.5-2009.</p>	Model No. 142-0791-801/810		JOHNSON			
	Cage Code 34078		Title SMA JACK SELF FIXTURE END LAUNCH		Material	
	3RD ANGLE PROJECTION UNITS: INCHES		Drawing No. 142-0791-801/810		Rev. 1A	Finish
	Drawn by TAK	Date 9/18/07	Size C	DO NOT SCALE DRAWING	Scale 10:1	Sheet 1 of 2
Approved by TAK	Date 10/13/09					

X-ON Electronics

Largest Supplier of Electrical and Electronic Components

Click to view similar products for [RF Connectors / Coaxial Connectors](#) category:

Click to view products by [Bel Fuse](#) manufacturer:

Other Similar products are found below :

[8915-1511-000](#) [89674-0827](#) [6001-7071-019](#) [6002-7051-003](#) [6002-7551-202](#) [6059674-1](#) [619550-1](#) [630059-000](#) [M39030/3-01N](#) [6500-7071-046](#) [6769](#) [CX050L2AQ](#) [7002-1541-010](#) [7002-1542-011](#) [7004-1512-000](#) [7009-1511-004](#) [7010-1511-000](#) [7029-1511-060](#) [7101-1541-010](#) [7101-1571-002](#) [7145-1521-002](#) [7203-1571-003](#) [7209-1511-011](#) [7210-1511-015](#) [7210-1511-019](#) [73137-5015](#) [73216-2241](#) [73404-2300](#) [7405-1521-005](#) [7405-1521-802](#) [8527](#) [8547](#) [FS11V](#) [877931](#) [9049-9513-000](#) [9074-9513-000](#) [9101-9573-002](#) [910A205F](#) [9130-9573-002](#) [PL11SC-026](#) [PL375-33](#) [PL40-5](#) [PL74C-221](#) [PL75MC-217](#) [PL803-7](#) [980-8666-005](#) [1200690078](#) [1-201144-1](#) [R107003010W](#) [R110A172100](#)