

NOTES: UNLESS OTHERWISE SPECIFIED.

1. MATERIAL & FINISH:

- 1.1 BODY: GOLD PLATED BRASS
- 1.2 INSULATORS: PTFE (TEFLON)
- 1.3 CENTER CONTACT: GOLD PLATED BERYLLIUM COPPER

2. ELECTRICAL SPECIFICATIONS:

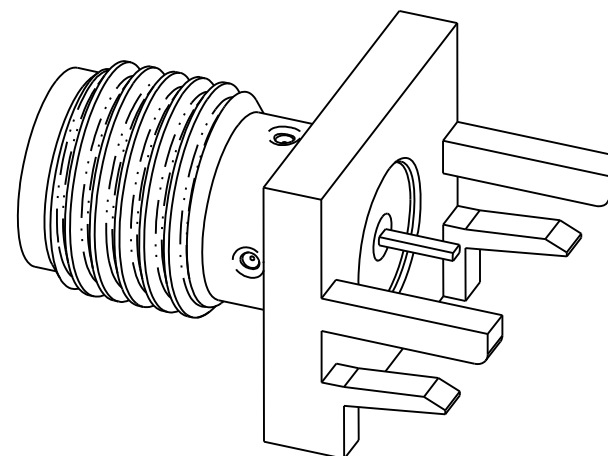
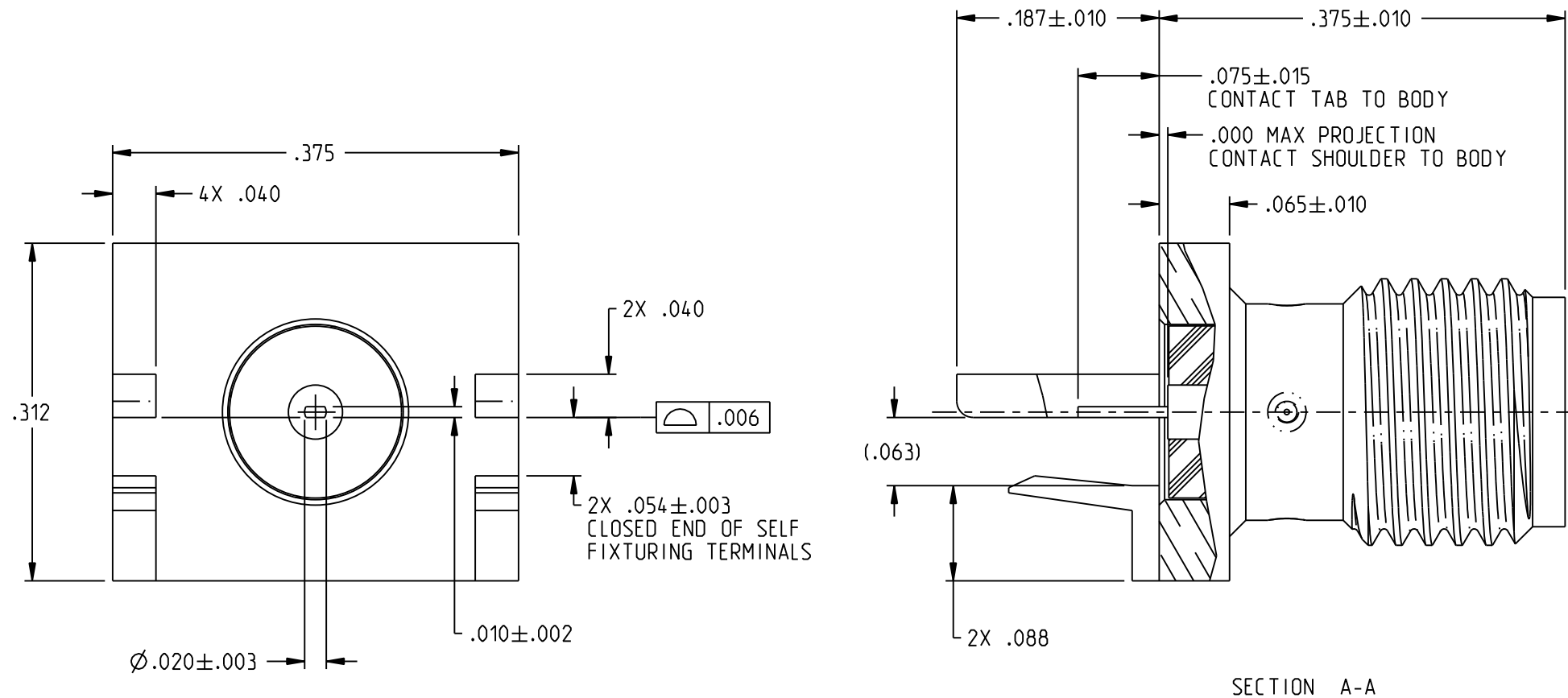
- 2.1 IMPEDANCE: 50 OHMS
- 2.2 FREQUENCY RANGE: 0-18 GHz
- 2.3 WORKING VOLTAGE: 335 VRMS MAX AT SEA LEVEL
- 2.4 DIELECTRIC WITHSTANDING VOLTAGE: 1000 VRMS MIN AT SEA LEVEL
- 2.5 INSULATION RESISTANCE: 5000 MEGOHM MIN
- 2.6 CONTACT RESISTANCE:
  - CENTER CONTACT - INITIAL 3 MILLIOHM MAX,  
AFTER ENVIRONMENTAL 4 MILLIOHM MAX
  - OUTER CONDUCTOR - INITIAL 2.0 MILLIOHM MAX,  
AFTER ENVIRONMENTAL NOT APPLICABLE
- 2.7 CORONA LEVEL: 250 VOLTS MIN AT 70,000 FEET
- 2.8 RF HIGH POTENTIAL WITHSTANDING VOLTAGE: 670 VRMS MIN AT 4 AND 7 MHz

3. MECHANICAL SPECIFICATIONS:

- 3.1 ENGAGE/DISENGAGE TORQUE: 2 INCH POUNDS MAX
- 3.2 MATING TORQUE: 7-10 INCH POUNDS
- 3.3 CONTACT RETENTION: 6 LBS MIN AXIAL FORCE  
4 IN-OZ MIN RADIAL TORQUE
- 3.4 DURABILITY: 500 CYCLES MIN

4. ENVIRONMENTAL:

- 4.1 (MEETS OR EXCEEDS THE APPLICABLE PARAGRAPH OF MIL-PRF-39012)
- 4.2 THERMAL SHOCK: MIL-STD-202, METHOD 107, CONDITION B
- 4.3 OPERATING TEMPERATURE: -65° C TO 165° C
- 4.4 CORROSION: MIL-STD-202, METHOD 101, CONDITION B
- 4.5 SHOCK: MIL-STD-202, METHOD 213, CONDITION I
- 4.6 VIBRATION: MIL-STD-202, METHOD 204 CONDITION D
- 4.7 MOISTURE RESISTANCE: MIL-STD-202, METHOD 106



<p>This PROPRIETARY Document is property of Cinch Connectivity Solutions. It is confidential in nature, non-transferable, and issued with the clear understanding that it is not to be traced or copied without permission and is returnable upon demand.</p> <p>INTERPRET DRAWING IN ACCORDANCE WITH ASME Y14.5-2009.</p>	<p>RoHS2 <input checked="" type="checkbox"/> 2011/65/EU</p> <p>UNLESS OTHERWISE SPECIFIED UNITS: INCH</p> <p>.XX ±.02 .XXX ±.005 ANGLES ±2°</p>	<p><b>JOHNSON</b></p> <p>Title: JACK ASSY SELF FIXTURE END LAUNCH SMA, .059 BOARD THICKNESS</p>	
		<p>Model No. 142-1701-851/860</p> <p>Size B DO NOT SCALE DRAWING</p>	<p>Date 5/18/2016</p> <p>Sheet 1 OF 1</p>

## X-ON Electronics

Largest Supplier of Electrical and Electronic Components

*Click to view similar products for [RF Connectors / Coaxial Connectors](#) category:*

*Click to view products by [Bel Fuse](#) manufacturer:*

Other Similar products are found below :

[8915-1511-000](#) [89674-0827](#) [6001-7071-019](#) [6002-7051-003](#) [6002-7551-202](#) [6059674-1](#) [619550-1](#) [630059-000](#) [M39030/3-01N](#) [6500-7071-046](#) [6769](#) [CX050L2AQ](#) [7002-1541-010](#) [7002-1542-011](#) [7004-1512-000](#) [7009-1511-004](#) [7010-1511-000](#) [7029-1511-060](#) [7101-1541-010](#) [7101-1571-002](#) [7145-1521-002](#) [7203-1571-003](#) [7209-1511-011](#) [7210-1511-015](#) [7210-1511-019](#) [73137-5015](#) [73216-2241](#) [73404-2300](#) [7405-1521-005](#) [7405-1521-802](#) [8527](#) [8547](#) [FS11V](#) [877931](#) [8808-1511-001](#) [9049-9513-000](#) [9074-9513-000](#) [9101-9573-002](#) [910A205F](#) [9130-9573-002](#) [PL11SC-026](#) [PL375-33](#) [PL40-5](#) [PL74C-221](#) [PL75MC-217](#) [PL803-7](#) [980-8666-005](#) [1200690078](#) [1-201144-1](#) [R107003010W](#)