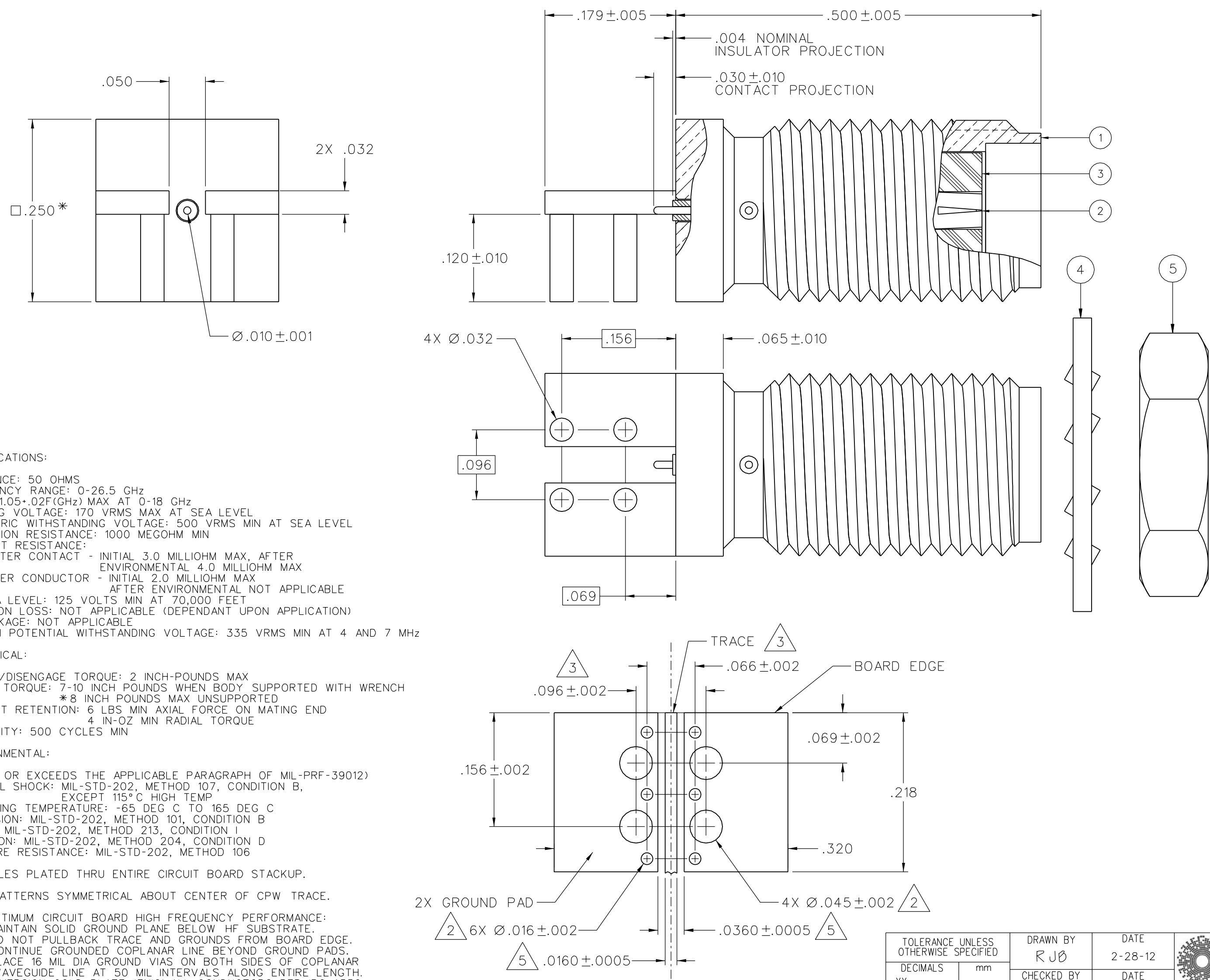


PART NUMBER 142-1711-801	ITEM ① BODY BRASS GOLD PL .00001 MIN OVER NICKEL PL .0001 MIN OVER COPPER PL .00005 MIN	ITEM ② CONTACT BERYLLIUM COPPER GOLD PL .00005 MIN OVER NICKEL PL .00005 MIN OVER COPPER PL .00005 MIN	ITEM ③ INSULATOR TEFLON	ITEM ④ LOCKWASHER BRONZE GOLD PL .00001 MIN OVER NICKEL PL .0001 MIN OVER COPPER PL .00005 MIN	ITEM ⑤ MOUNTING NUT BRASS GOLD PL .00001 MIN OVER NICKEL PL .0001 MIN OVER COPPER PL .00005 MIN
-----------------------------	--	---	-------------------------------	---	--

DRAWING NO. C - 142-1711-801/810						
0 REVISIONS						
ENGINEERING RELEASE						
A	2-28-12	C	K	R	M	2-28-12
		W	N	J	J	ECO 54086
DELETED NOTE 6						
002	4-23-15	M	L	R	M	4-23-15
		S	L	J	J	ECO 55627



- NOTES:
- SPECIFICATIONS:
 - IMPEDANCE: 50 OHMS
 - FREQUENCY RANGE: 0-26.5 GHz
 - VSWR: 1.05+.02F(GHz) MAX AT 0-18 GHz
 - WORKING VOLTAGE: 170 VRMS MAX AT SEA LEVEL
 - DIELECTRIC WITHSTANDING VOLTAGE: 500 VRMS MIN AT SEA LEVEL
 - INSULATION RESISTANCE: 1000 MEGOHM MIN
 - CONTACT RESISTANCE:
 - CENTER CONTACT - INITIAL 3.0 MILLIOHM MAX, AFTER ENVIRONMENTAL 4.0 MILLIOHM MAX
 - OUTER CONDUCTOR - INITIAL 2.0 MILLIOHM MAX AFTER ENVIRONMENTAL NOT APPLICABLE
 - CORONA LEVEL: 125 VOLTS MIN AT 70,000 FEET
 - INSERTION LOSS: NOT APPLICABLE (DEPENDANT UPON APPLICATION)
 - RF LEAKAGE: NOT APPLICABLE
 - RF HIGH POTENTIAL WITHSTANDING VOLTAGE: 335 VRMS MIN AT 4 AND 7 MHz
 - MECHANICAL:
 - ENGAGE/DISENGAGE TORQUE: 2 INCH-POUNDS MAX
 - MATING TORQUE: 7-10 INCH POUNDS WHEN SUPPORTED WITH WRENCH *8 INCH POUNDS MAX UNSUPPORTED
 - CONTACT RETENTION: 6 LBS MIN AXIAL FORCE ON MATING END 4 IN-OZ MIN RADIAL TORQUE
 - DURABILITY: 500 CYCLES MIN
 - ENVIRONMENTAL:
 - (MEETS OR EXCEEDS THE APPLICABLE PARAGRAPH OF MIL-PRF-39012)
 - THERMAL SHOCK: MIL-STD-202, METHOD 107, CONDITION B, EXCEPT 115°C HIGH TEMP
 - OPERATING TEMPERATURE: -65 DEG C TO 165 DEG C
 - CORROSION: MIL-STD-202, METHOD 101, CONDITION B
 - SHOCK: MIL-STD-202, METHOD 213, CONDITION I
 - VIBRATION: MIL-STD-202, METHOD 204, CONDITION D
 - MOISTURE RESISTANCE: MIL-STD-202, METHOD 106
 - ALL HOLES PLATED THRU ENTIRE CIRCUIT BOARD STACKUP.
 - HOLE PATTERNS SYMMETRICAL ABOUT CENTER OF CPW TRACE.
 - FOR OPTIMUM CIRCUIT BOARD HIGH FREQUENCY PERFORMANCE:
 - A. MAINTAIN SOLID GROUND PLANE BELOW HF SUBSTRATE.
 - B. DO NOT PULLBACK TRACE AND GROUNDS FROM BOARD EDGE.
 - C. CONTINUE GROUNDED COPLANAR LINE BEYOND GROUND PADS.
 - D. PLACE 16 MIL DIA GROUND VIAS ON BOTH SIDES OF COPLANAR WAVEGUIDE LINE AT 50 MIL INTERVALS ALONG ENTIRE LENGTH.
 - E. IMMERSION GOLD PLATE (ENIG) ALL CONDUCTORS PER IPC-4552.
 - REFERENCE DIMENSIONS FOR 50 OHM GROUNDED CPW LINE, USING ROGERS RO4003, 8 MIL HIGH FREQUENCY CIRCUIT BOARD SUBSTRATE:
 - TRACE WIDTH = 16 MILS
 - GROUND GAPS = 10 MILS
 - CONDUCTOR THICKNESS = 1 MIL (INCLUDES PLATING)

MOUNTING FOOTPRINT
10:1 (TOP VIEW, INCLUDING TRACE DIMENSIONS)

TOLERANCE UNLESS OTHERWISE SPECIFIED		DRAWN BY RJB	DATE 2-28-12
DECIMALS	mm	CHECKED BY	DATE
.XX	—	APPROVED BY RJB	DATE 4-20-12
.XXX ±.003	—	RELEASE DATE	4-20-12
MATL	—	U/M	INCH
FINISH	—	SCALE	10:1

CUSTOMER DRAWING

THIS DRAWING TO BE INTERPRETED PER ASME Y 14.5M - 1994

"μSTATION"

COMPANY CONFIDENTIAL

cinch P.O. Box 1732
CONNECTIVITY SOLUTIONS Waseca, MN 56093
a bel group 1-800-247-8256

TITLE
HIGH FREQ END LAUNCH
SMA JACK ASSEMBLY,
PC MOUNT, 10 MIL PIN

SHEET 2 OF 2
DRAWING NO.
C - 142-1711-801/810

X-ON Electronics

Largest Supplier of Electrical and Electronic Components

Click to view similar products for [RF Connectors / Coaxial Connectors](#) category:

Click to view products by [Bel Fuse](#) manufacturer:

Other Similar products are found below :

[8915-1511-000](#) [89674-0827](#) [6001-7071-019](#) [6002-7051-003](#) [6002-7551-202](#) [6059674-1](#) [619550-1](#) [630059-000](#) [M39030/3-01N](#) [6500-7071-046](#) [6769](#) [CX050L2AQ](#) [7002-1541-010](#) [7002-1542-011](#) [7004-1512-000](#) [7009-1511-004](#) [7010-1511-000](#) [7029-1511-060](#) [7101-1541-010](#) [7101-1571-002](#) [7145-1521-002](#) [7203-1571-003](#) [7209-1511-011](#) [7210-1511-015](#) [7210-1511-019](#) [73137-5015](#) [73216-2241](#) [73404-2300](#) [7405-1521-005](#) [7405-1521-802](#) [8527](#) [8547](#) [FS11V](#) [877931](#) [8808-1511-001](#) [9049-9513-000](#) [9074-9513-000](#) [9101-9573-002](#) [910A205F](#) [9130-9573-002](#) [PL11SC-026](#) [PL375-33](#) [PL40-5](#) [PL74C-221](#) [PL75MC-217](#) [PL803-7](#) [1200690078](#) [1-201144-1](#) [R107003010W](#) [R110A172100](#)