

| PART NUMBER  | ITEM ①<br>BODY  | ITEM ②<br>CONTACT  | ITEM ③<br>INSULATOR |
|--------------|---|--|---------------------|
| 145-0701-241 | BRASS<br>GOLD PL .00001 MIN OVER<br>NICKEL PL .00005 MIN OVER<br>COPPER | BERYLLIUM COPPER<br>GOLD PL .00005 MIN OVER<br>NICKEL PL .00005 MIN OVER<br>COPPER | TEFLON              |

| REV | ECO             | DATE      |
|-----|-----------------|-----------|
| 1   | INITIAL RELEASE | 27SEP2021 |

NOTES:

1. ELECTRICAL SPECIFICATIONS:

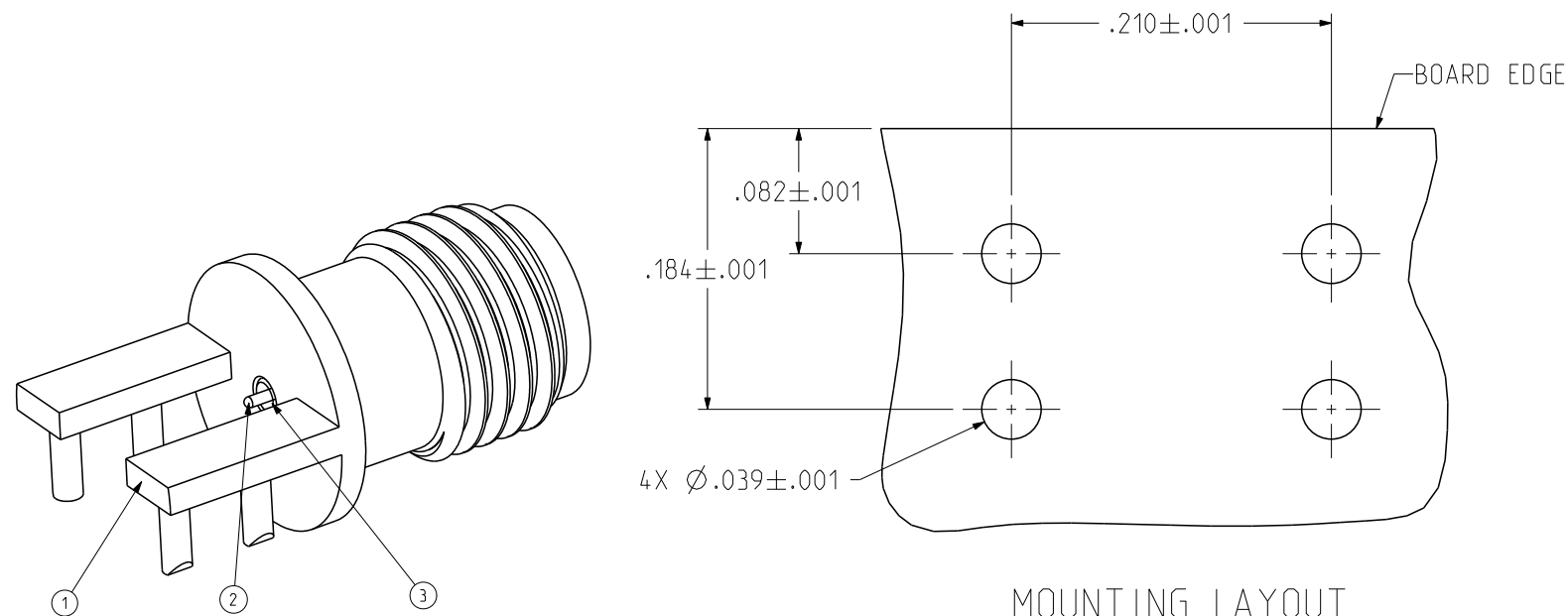
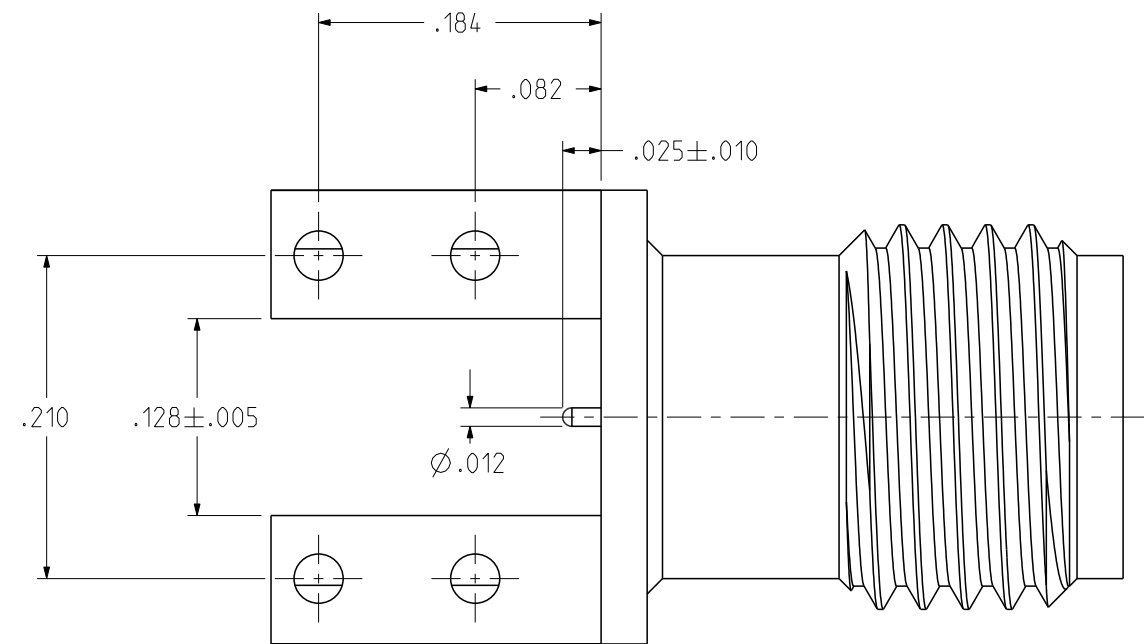
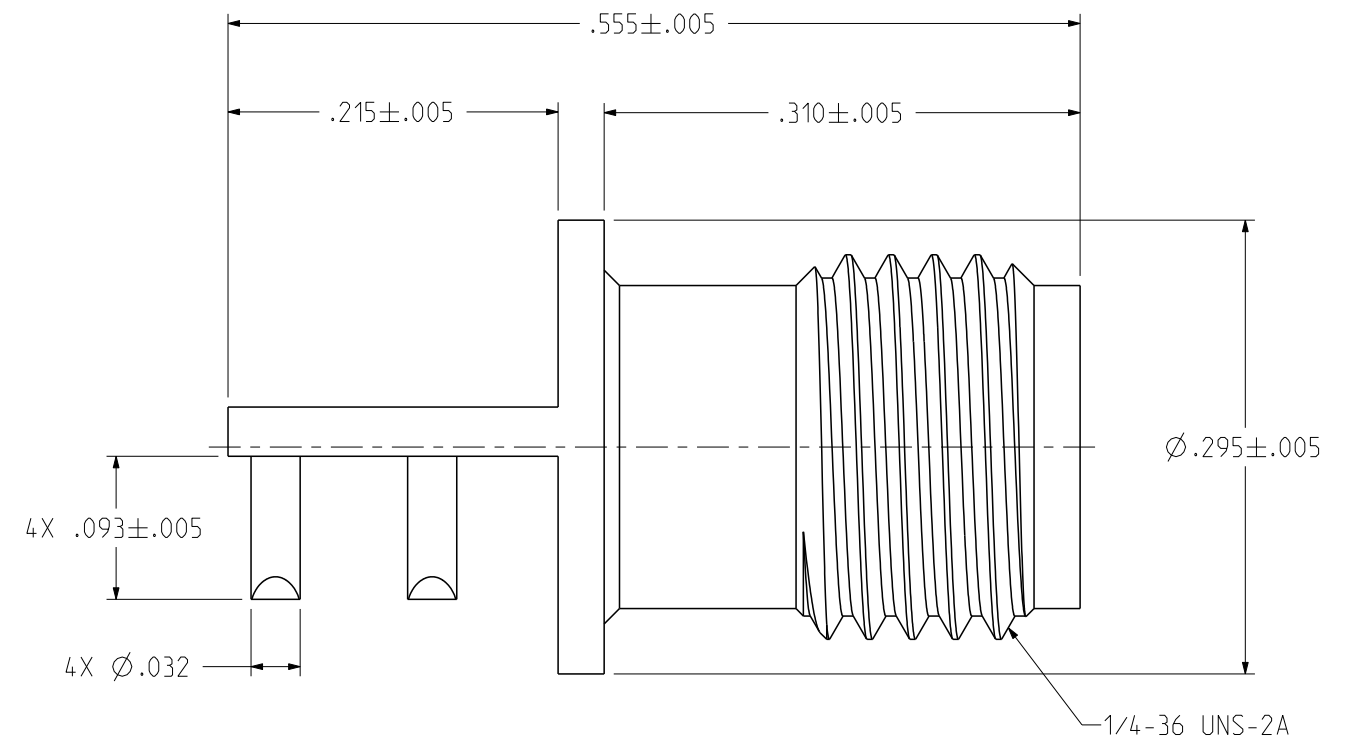
- 1.1 IMPEDANCE: 50 OHMS
- 1.2 FREQUENCY RANGE: 0-40 GHz
- 1.3 VSWR: 1.5 MAX
- 1.4 INSERTION LOSS: 0.05 SQRT(F) dB MAX (F IN GHz)
- 1.5 WORKING VOLTAGE: 250 VRMS MAX AT SEA LEVEL
- 1.6 DIELECTRIC WITHSTANDING VOLTAGE: 1000 VRMS MIN AT SEA LEVEL
- 1.7 INSULATION RESISTANCE: 5000 MEGOHM MIN
- 1.8 CONTACT RESISTANCE:
  - 1.8.1 CENTER CONTACT - INITIAL 3.0 MILLIOHM MAX, AFTER ENVIRONMENTAL NOT APPLICABLE
  - 1.8.2 OUTER CONDUCTOR - INITIAL 2.0 MILLIOHM MAX, AFTER ENVIRONMENTAL NOT APPLICABLE
- 1.9 RF LEAKAGE: -90dB TYPICAL AT 2.5 GHz

2. MECHANICAL SPECIFICATIONS:

- 2.1 ENGAGEMENT/DISENGAGEMENT FORCE: 2 IN LBS MAX
- 2.2 MATING TORQUE: 7 TO 10 INCH-POUNDS
- 2.3 DURABILITY: 500 CYCLES MIN

3. ENVIRONMENTAL:

- 3.1 THERMAL SHOCK: MIL-STD-202, METHOD 107, CONDITION B
- 3.2 OPERATING TEMPERATURE: -45 °C TO 85 °C
- 3.3 CORROSION: MIL-STD-202, METHOD 101, CONDITION B
- 3.4 SHOCK: MIL-STD-202, METHOD 213, CONDITION I
- 3.5 VIBRATION: MIL-STD-202, METHOD 204, CONDITION D
- 3.6 MOISTURE RESISTANCE: MIL-STD-202, METHOD 106



MOUNTING LAYOUT

|  |  |   |   |
|--|--|---|---|
|  | Model No: 145-0701-241/250   | JOHNSON   |   |
|  | RoHS <input checked="" type="checkbox"/> (EU)/2015/863 COMPLIANT<br>UNLESS OTHERWISE SPECIFIED<br>UNITS: INCH<br>.XX ± .01<br>.XXX ± .003<br>.XXXX ± .0010<br>ANGLE ± 2° | Title: 2.92MM JACK, PCB END LAUNCH, THROUGH HOLE SOLDER LEGS, DIA .012" PIN<br>Drawing No: 145-0701-241/250<br>Date: 09/27/2021 | Size B<br>DO NOT SCALE DRAWING<br>Workmanship Std: NONE<br>Sheet 1 OF 1 |

## X-ON Electronics

Largest Supplier of Electrical and Electronic Components

*Click to view similar products for [RF Connectors](#) / [Coaxial Connectors](#) category:*

*Click to view products by [Bel Fuse](#) manufacturer:*

Other Similar products are found below :

[89674-0827](#) [6059674-1](#) [630059-000](#) [6501-1071-002](#) [6769](#) [7002-1541-010](#) [7002-1572-002](#) [7004-1512-000](#) [7009-1511-004](#) [7101-1541-010](#)  
[7101-1571-002](#) [7105-1521-002](#) [7203-1571-003](#) [7209-1511-011](#) [7210-1511-040](#) [7242-1511-000](#) [7405-1521-005](#) [7405-1521-802](#)  
[804S01D04M040](#) [8527](#) [8547](#) [FS11V](#) [877931](#) [8808-1511-001](#) [9049-9513-000](#) [9074-9513-000](#) [PL11C-026](#) [PL40-36](#) [9408-1113-000](#) [980-](#)  
[8666-005](#) [11 SMA-50-2-6 / 111 NE](#) [11 SMA-50-3-6 / 111 NE](#) [1-201144-1](#) [120919](#) [R107003010W](#) [R112186000](#) [R113053000W](#) [R113082097](#)  
[R113236000](#) [R114083000](#) [R114670000W](#) [R123415000W](#) [R124076320](#) [R124076450](#) [R124175123](#) [R125075000W](#) [R125075001](#)  
[R125172000W](#) [R125415030](#) [R141007161](#)