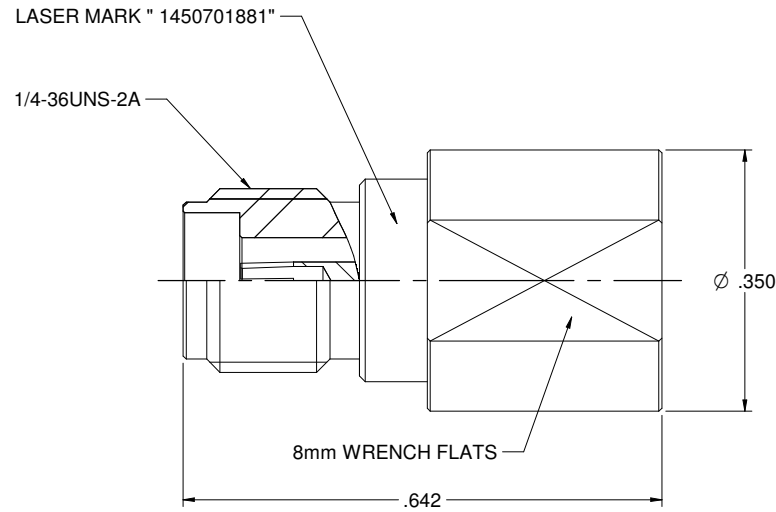


MODEL NO.	PACKAGING
145-0701-881	ONE PCS PER BAG

REV	ECO	DATE
001	ECO-19-0019	05/31/2019



NOTES: UNLESS OTHERWISE SPECIFIED

1. MATERIAL & FINISH:

- 1.1 BODY: PASSIVATED STAINLESS STEEL
- 1.2 INNER BODY: GOLD PLATED BRASS
- 1.3 CONTACT PIN: GOLD PLATED BERYLLIUM COPPER
- 1.4 INSULATOR: PEEK, NATURAL
- 1.5 RESISTOR: 50 OHMS +/- 1% 1/4W

2. ELECTRICAL:

- 2.1 IMPEDANCE: 50 OHMS
- 2.2 FREQUENCY RANGE: DC-40 GHz
- 2.3 RETURN LOSS: -20DB MAX
- 2.4 DIELECTRIC WITHSTANDING VOLTAGE: 750 VRMS MIN
- 2.5 CONTACT RESISTANCE:
 - 2.5.1 CENTER CONTACT: 3 MILLIOHMS MAX
 - 2.5.2 OUTER CONTACT: 2 MILLIOHMS MAX
- 2.6 INSULATOR RESISTANCE: 5000 MEGOHM MIN
- 2.7 WORKING VOLTAGE: 250 VRMS MAX

3. MECHANICAL:

- 3.1 ENGAGEMENT AND DISENGAGEMENT FORCE: 0.23 MN MAX
- 3.2 COUPLING TORQUE RECOMMENDED: 0.8 NM TO 1.1 NM
- 3.3 COUPLING TORQUE PROOF: 1.7 NM
- 3.4 CONTACT RETENTION: 22 N MIN
- 3.5 DURABILITY: 500CYCLES MIN

4. ENVIRONMENT:

- 4.1 OPERATING TEMPERATURE: -55 TO 125°C
- 4.2 THERMAL SHOCK: MIL-STD-202, METHOD 107, CONDITION B.
- 4.3 SHOCK: MIL-STD-202, METHOD 213, CONDITION I
- 4.4 VIBRATION: MIL-STD-202, METHOD 204, CONDITION D
- 4.5 MOISTURE RESISTANCE: MIL-STD-202, METHOD 106
- 4.6 SALT SPRAY: MIL-STD-202, METHOD 101, CONDITION B

	Model No. 145-0701-881/890	Johnson	
<small>ALL DIMENSIONS UNLESS OTHERWISE SPECIFIED ARE IN INCHES AND DECIMALS THEREOF. DIMENSIONS IN PARENTHESES INDICATE FRACTIONAL DIMENSIONS. DIMENSIONS IN BRACKETS INDICATE DIMENSIONS TO BE MAINTAINED FOR FUNCTIONALITY.</small>	<small>XXXX ± 02 XXXXX ± 01 ANGLES: 10°</small>	<small>DATE: 05/31/2019</small>	<small>SIZE: C DO NOT SCALE DRAWING</small>
<small>REVISIONS</small>	<small>DATE</small>	<small>BY</small>	<small>APPROVED BY</small>
		Betty Yu	NONE
		145-0701-881/890	001
			Sheet 1 of 1

X-ON Electronics

Largest Supplier of Electrical and Electronic Components

Click to view similar products for [RF Terminators](#) category:

Click to view products by [Bel Fuse](#) manufacturer:

Other Similar products are found below :

[M390303-02N](#) [M39030/3-04S](#) [M39030/3-09S](#) [M39030/3-11N](#) [TNG1-9-78-D3](#) [TNA2-50](#) [TNG1-6-78](#) [TNH1-1-50](#) [TNGFL1-1-78](#)
[R4042N5000](#) [53S1RR-001N3](#) [142275](#) [56S1RR-001N4](#) [65_BNC-50-0-7/133_NE](#) [71S1RR-001N4](#) [02S17R-001D3](#) [R404240120](#) [R404260000](#)
[HT-10-2](#) [FL LCX 50-OHM-RSMA](#) [M39030/3-04N](#) [TNA1-6-50](#) [131-3801-811](#) [TNA1-1-50](#) [65_N-50-0-51/113_NE](#) [65_BNC-50-0-2/133_NE](#)
[65_N-50-0-1/133_NE](#) [65002_N-50-1/122_NE](#) [65_MMCX-50-0-31/111_OE](#) [18K15R-0.5E3](#) [2702702](#) [TRM-2161-M0-35M-02](#) [53S17R-](#)
[001N3](#) [1100.19.0001](#) [6701.01.B](#) [18S24H-40ML5](#) [TRM-2053-M0-NNN-02](#) [R404759000](#) [M39030/6-02N](#) [TRM-2053-MC-NNN-02](#)
[M39030/3-03S](#) [SF8012-6009](#) [6701.01.A](#) [65_MCX-50-0-4/111_NE](#) [65_716-50-0-2/003_-E](#) [65_SMB-50-0-1/111_NE](#) [M39030/3-12N](#) [82-](#)
[5722-RFX](#) [8018-6174](#) [SF8018-6005](#)