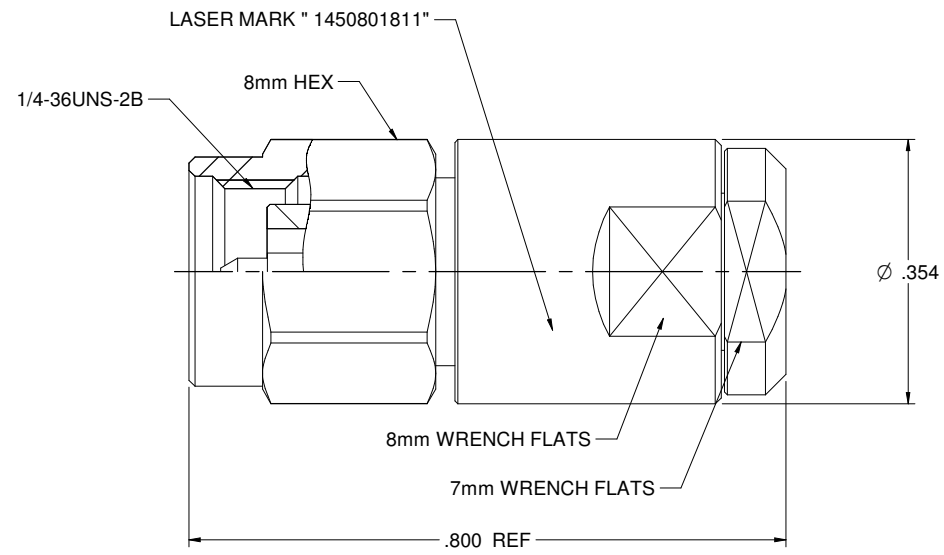


MODEL NO.	PACKAGING
145-0801-811	ONE PCS PER BAG

REV	ECO	DATE
001	ECO-19-0019	05/31/2019



NOTES: UNLESS OTHERWISE SPECIFIED

1. MATERIAL & FINISH:
  - 1.1 BODY & NUT: PASSIVATED STAINLESS STEEL
  - 1.2 INNER BODY: GOLD PLATED BRASS
  - 1.3 CONTACT PIN, C RING: GOLD PLATED BERYLLIUM COPPER
  - 1.4 INSULATOR: PEEK, NATURAL
  - 1.5 GASKET: SILICONE RED
  - 1.6 RESISTOR: 50 OHMS +/- 1% 1/4W
2. ELECTRICAL:
  - 2.1 IMPEDANCE: 50 OHMS
  - 2.2 FREQUENCY RANGE: DC-40 GHz
  - 2.3 VOLTAGE STANDING WAVE RATIO: 1.2 MAX
  - 2.4 DIELECTRIC WITHSTANDING VOLTAGE: 750 VRMS MIN
  - 2.5 CONTACT RESISTANCE:
    - 2.5.1 CENTER CONTACT: 3 MILLIOHM MAX
    - 2.5.2 OUTER CONTACT: 2 MILLIOHM MAX
  - 2.6 INSULATOR RESISTANCE: 5000 MEGOHM MIN
  - 2.7 WORKING VOLTAGE: 250 VRMS MAX
3. MECHANICAL:
  - 3.1 ENGAGEMENT AND DISENGAGEMENT FORCE: 0.23 NM MAX
  - 3.2 COUPLING TORQUE RECOMMENDED: 0.8 NM TO 1.1 NM
  - 3.3 COUPLING PROOF TORQUE: 1.7 NM
  - 3.4 COUPLING NUT RETENTION: 267 NM
  - 3.5 CONTACT RETENTION: 22 NM
  - 3.6 DURABILITY: 500 CYCLES MIN
4. ENVIRONMENT:
  - 4.1 OPERATING TEMPERATURE: -55 TO 125°C
  - 4.2 THERMAL SHOCK: MIL-STD-202, METHOD 107, CONDITION B
  - 4.3 SHOCK: MIL-STD-202, METHOD 213, CONDITION I
  - 4.4 VIBRATION: MIL-STD-202, METHOD 204, CONDITION D
  - 4.5 MOISTURE RESISTANCE: MIL-STD-202, METHOD 106
  - 4.6 SALT SPRAY: MIL-STD-202 METHOD 101, CONDITION B

	Model No. 145-0801-811/820		Part No. 2.92mm (SMK) TERMINATOR W/O CHAIN PLUG 50 OHMS +/- 1%, 1/4W

## X-ON Electronics

Largest Supplier of Electrical and Electronic Components

*Click to view similar products for [RF Terminators](#) category:*

*Click to view products by [Bel Fuse](#) manufacturer:*

Other Similar products are found below :

[M390303-02N](#) [M39030/3-04S](#) [M39030/3-09S](#) [M39030/3-11N](#) [TNG1-9-78-D3](#) [TNA2-50](#) [TNG1-6-78](#) [TNH1-1-50](#) [TNGFL1-1-78](#)  
[R4042N5000](#) [53S1RR-001N3](#) [142275](#) [56S1RR-001N4](#) [65\\_BNC-50-0-7/133\\_NE](#) [71S1RR-001N4](#) [02S17R-001D3](#) [R404240120](#) [R404260000](#)  
[HT-10-2](#) [FL LCX 50-OHM-RSMA](#) [M39030/3-04N](#) [TNA1-6-50](#) [131-3801-811](#) [TNA1-1-50](#) [65\\_N-50-0-51/113\\_NE](#) [65\\_BNC-50-0-2/133\\_NE](#)  
[65\\_N-50-0-1/133\\_NE](#) [65002\\_N-50-1/122\\_NE](#) [65\\_MMCX-50-0-31/111\\_OE](#) [18K15R-0.5E3](#) [2702702](#) [TRM-2161-M0-35M-02](#) [53S17R-](#)  
[001N3](#) [1100.19.0001](#) [6701.01.B](#) [18S24H-40ML5](#) [TRM-2053-M0-NNN-02](#) [R404759000](#) [M39030/6-02N](#) [TRM-2053-MC-NNN-02](#)  
[M39030/3-03S](#) [SF8012-6009](#) [6701.01.A](#) [65\\_MCX-50-0-4/111\\_NE](#) [65\\_716-50-0-2/003\\_-E](#) [65\\_SMB-50-0-1/111\\_NE](#) [M39030/3-12N](#) [82-](#)  
[5722-RFX](#) [8018-6174](#) [SF8018-6005](#)