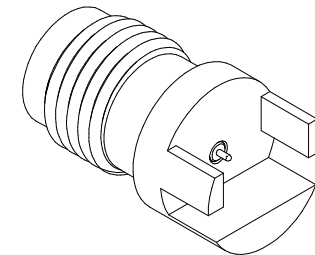
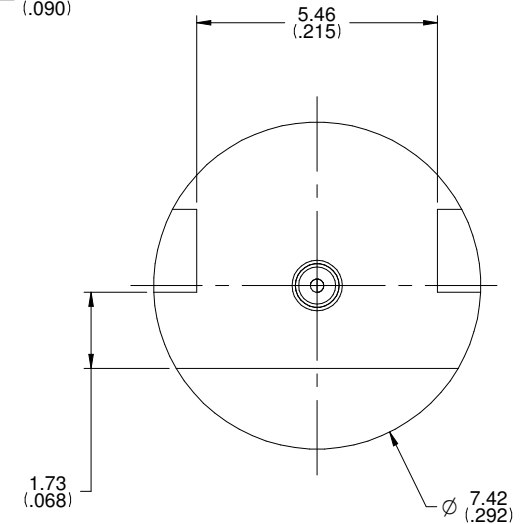
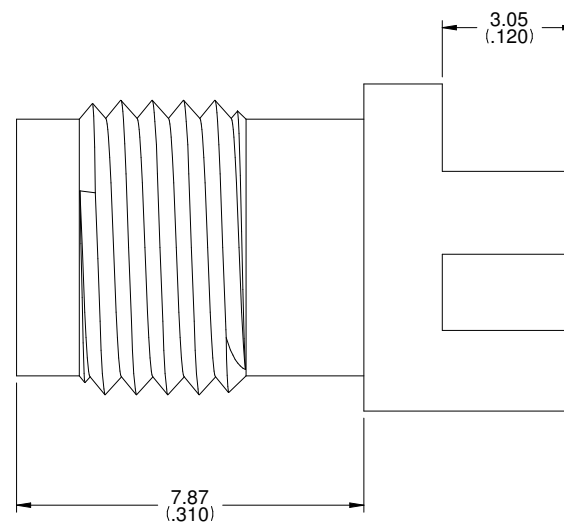
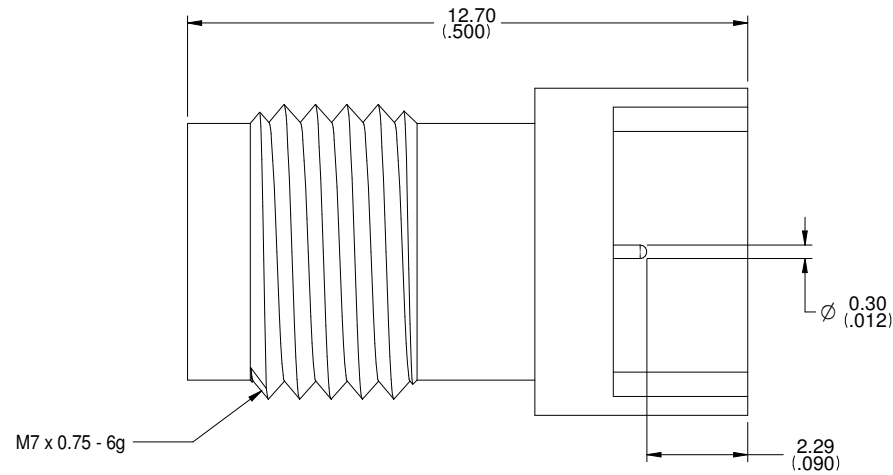


MODEL NUMBER

147-0701-241

REV	ECO	DATE
1	ECO-19-0031	7/25/2019



**SPECIFICATION:**

**ELECTRICAL:**

IMPEDANCE: 50 OHMS  
 FREQUENCY RANGE: 0-50 GHz  
 VSWR: 1.5 MAX  
 INSERTION LOSS: 0.05  $\sqrt{F}$  dB MAX (F IN GHz)  
 WORKING VOLTAGE: 150 VRMS MAX AT SEA LEVEL  
 DIELECTRIC WITHSTANDING VOLTAGE: 500VRMS MIN AT SEA LEVEL  
 INSULATION RESISTANCE: 5000 MEGOHM MIN  
 CONTACT RESISTANCE:  
     CENTER CONTACT - INITIAL 4 MILLIOHM MAX, AFTER ENVIRONMENTAL NOT APPLICABLE  
     OUTER CONDUCTOR - INITIAL 2.5 MILLIOHM MAX, AFTER ENVIRONMENTAL NOT APPLICABLE  
 RF LEAKAGE: -90dB TYPICAL AT 2.5GHz

**MECHANICAL:**

COUPLING TORQUE RECOMMENDED: 0.8 Nm TO 1.1 Nm  
 COUPLING TEST TORQUE: 1.65 Nm  
 DURABILITY: 500 CYCLES MIN

**ENVIRONMENTAL:**

OPERATING TEMPERATURE: -40 TO 85°C  
 THERMAL SHOCK: IEC 61169-1, SUBCLAUSE 9.4.4  
 CORROSION: IEC 61169-1, SUBCLAUSE 9.4.6  
 SHOCK: IEC 61169-1, SUBCLAUSE 9.3.14  
 VIBRATION: IEC 61169-1, SUBCLAUSE 9.3.3  
 MOISTURE RESISTANCE: IEC 61169-1, SUBCLAUSE 9.4.3

**MATERIAL AND FINISH:**

BODY: GOLD PLATED BRASS  
 CENTER CONTACT: GOLD PLATED BERYLLIUM COPPER  
 INSULATOR: PTFE (TEFLON)

	Revision: SEE NOTE RoHS2 2011/65/EU SEE NOTE X:0.2 X.X:0.1 X.XX:0.07 ANGLES: 12 DEG	Model No: 147-0701-241 Design: R.SHEN Date: 5/9/19 Size: C DO NOT SCALE DRAWING	<b>JOHNSON</b> Title: 2.4mm END LAUNCH JACK FOR .062" BOARD DIA .012" PIN Drawing No: 147-0701-241 Rev: 1 Sheet 1 of 1
	Johnson Controls, Inc.		

## X-ON Electronics

Largest Supplier of Electrical and Electronic Components

*Click to view similar products for [RF Connectors / Coaxial Connectors](#) category:*

*Click to view products by [Bel Fuse](#) manufacturer:*

Other Similar products are found below :

[8915-1511-000](#) [89674-0827](#) [6001-7071-019](#) [6002-7051-003](#) [6002-7551-202](#) [6059674-1](#) [619550-1](#) [630059-000](#) [M39030/3-01N](#) [6500-7071-046](#) [6769](#) [CX050L2AQ](#) [7002-1541-010](#) [7002-1542-011](#) [7004-1512-000](#) [7009-1511-004](#) [7010-1511-000](#) [7029-1511-060](#) [7101-1541-010](#) [7101-1571-002](#) [7145-1521-002](#) [7203-1571-003](#) [7209-1511-011](#) [7210-1511-015](#) [7210-1511-019](#) [73137-5015](#) [73216-2241](#) [73404-2300](#) [7405-1521-005](#) [7405-1521-802](#) [8527](#) [8547](#) [FS11V](#) [877931](#) [8808-1511-001](#) [9049-9513-000](#) [9074-9513-000](#) [9101-9573-002](#) [910A205F](#) [9130-9573-002](#) [PL11SC-026](#) [PL375-33](#) [PL40-5](#) [PL74C-221](#) [PL75MC-217](#) [PL803-7](#) [1200690078](#) [1-201144-1](#) [R107003010W](#) [R110A172100](#)