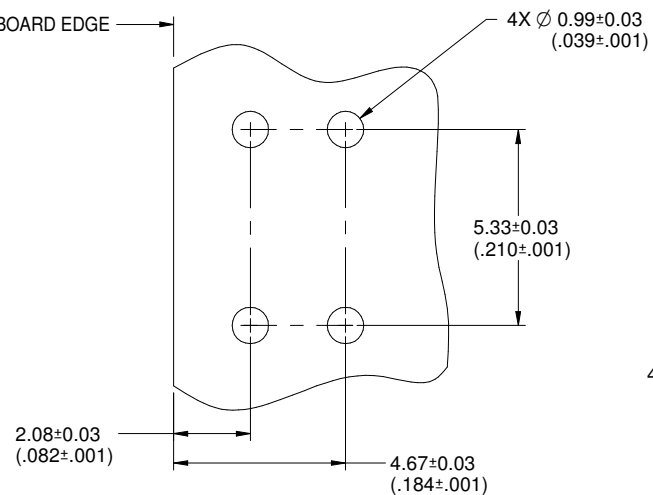


REV	ECO	DATE
1	ECO-19-0033	7/31/2019
1A	ECO-19-0038	9/9/2019

MODEL NUMBER

147-0701-251

BOARD EDGE



RECOMMENDED MOUNTING HOLE DIMENSIONS

SPECIFICATION:

ELECTRICAL:

- IMPEDANCE: 50 OHMS
- FREQUENCY RANGE: 0-50 GHz
- VSWR: 1.5 MAX
- INSERTION LOSS: 0.05 √F dB MAX (F IN GHz)
- WORKING VOLTAGE: 150 VRMS MAX AT SEA LEVEL
- DIELECTRIC WITHSTANDING VOLTAGE: 500VRMS MIN AT SEA LEVEL
- INSULATION RESISTANCE: 5000 MEGOHM MIN
- CONTACT RESISTANCE:
 - CENTER CONTACT - INITIAL 4 MILLIOHM MAX, AFTER ENVIRONMENTAL NOT APPLICABLE
 - OUTER CONDUCTOR - INITIAL 2.5 MILLIOHM MAX, AFTER ENVIRONMENTAL NOT APPLICABLE
- RF LEAKAGE: -90dB TYPICAL AT 2.5GHz

MECHANICAL:

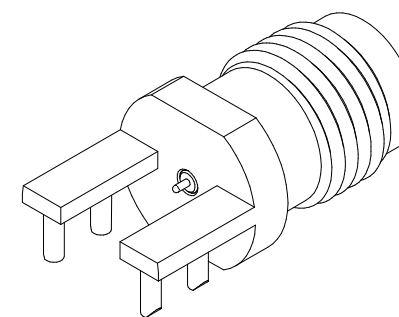
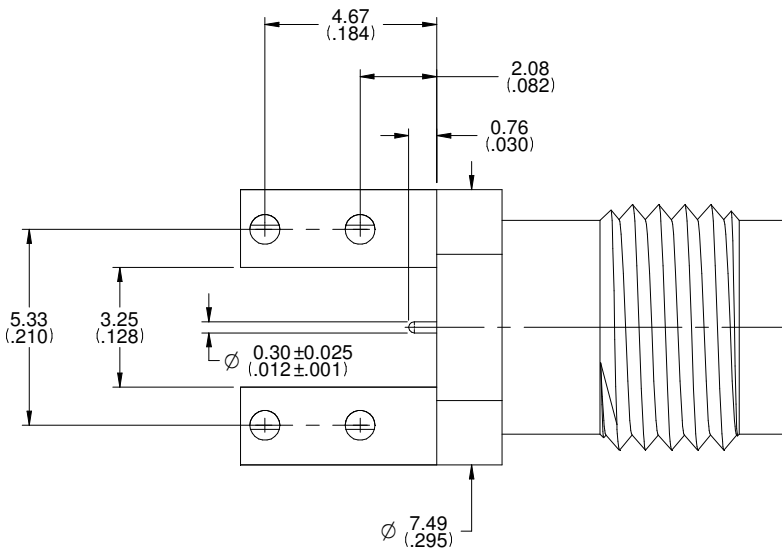
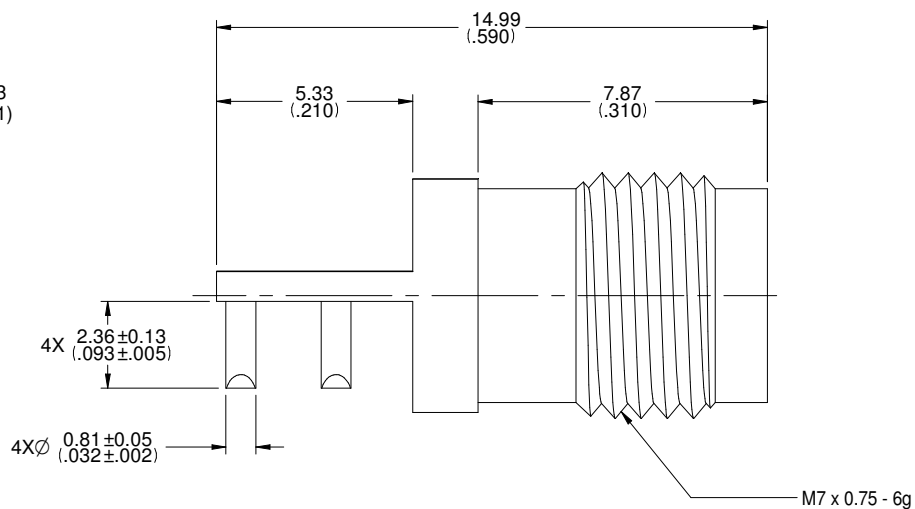
- COUPLING TORQUE RECOMMENDED: 0.8 Nm TO 1.1 Nm
- COUPLING TEST TORQUE: 1.65 Nm
- DURABILITY: 500 CYCLES MIN

ENVIRONMENTAL:

- OPERATING TEMPERATURE: -40 TO 85°C
- THERMAL SHOCK: IEC 61169-1, SUBCLAUSE 9.4.4
- CORROSION: IEC 61169-1, SUBCLAUSE 9.4.6
- SHOCK: IEC 61169-1, SUBCLAUSE 9.3.14
- VIBRATION: IEC 61169-1, SUBCLAUSE 9.3.3
- MOISTURE RESISTANCE: IEC 61169-1, SUBCLAUSE 9.4.3

MATERIAL AND FINISH:

- BODY: GOLD PLATED BRASS
- CENTER CONTACT: GOLD PLATED BERYLLIUM COPPER
- INSULATOR: PTFE (TEFLON)



	SEE NOTE	Model No. 147-0701-251	
	SEE NOTE	RoHS2 201185EU	
SEE NOTE X ±0.2 XX ±0.1 XXX ±0.07 ANGLES 12 DEG	Date: 7/31/19 Scale: C DO NOT SCALE DRAWING	Design: R.SHEN	Sheet 1 of 1

X-ON Electronics

Largest Supplier of Electrical and Electronic Components

Click to view similar products for [RF Connectors / Coaxial Connectors](#) category:

Click to view products by [Bel Fuse](#) manufacturer:

Other Similar products are found below :

[8915-1511-000](#) [89674-0827](#) [6001-7071-019](#) [6002-7051-003](#) [6002-7551-202](#) [6059674-1](#) [619550-1](#) [630059-000](#) [M39030/3-01N](#) [6500-7071-046](#) [6769](#) [CX050L2AQ](#) [7002-1541-010](#) [7002-1542-011](#) [7004-1512-000](#) [7009-1511-004](#) [7010-1511-000](#) [7029-1511-060](#) [7101-1541-010](#) [7101-1571-002](#) [7145-1521-002](#) [7203-1571-003](#) [7209-1511-011](#) [7210-1511-015](#) [7210-1511-019](#) [73137-5015](#) [73216-2241](#) [73404-2300](#) [7405-1521-005](#) [7405-1521-802](#) [8527](#) [8547](#) [FS11V](#) [877931](#) [9049-9513-000](#) [9074-9513-000](#) [9101-9573-002](#) [910A205F](#) [9130-9573-002](#) [PL11SC-026](#) [PL375-33](#) [PL40-5](#) [PL74C-221](#) [PL75MC-217](#) [PL803-7](#) [980-8666-005](#) [1200690078](#) [1-201144-1](#) [R107003010W](#) [R110A172100](#)