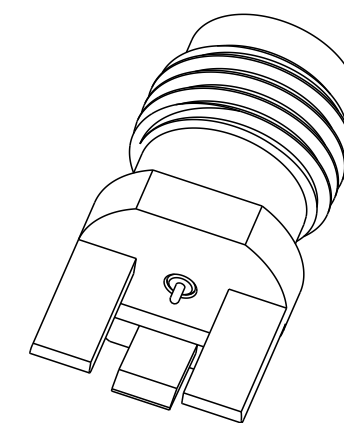
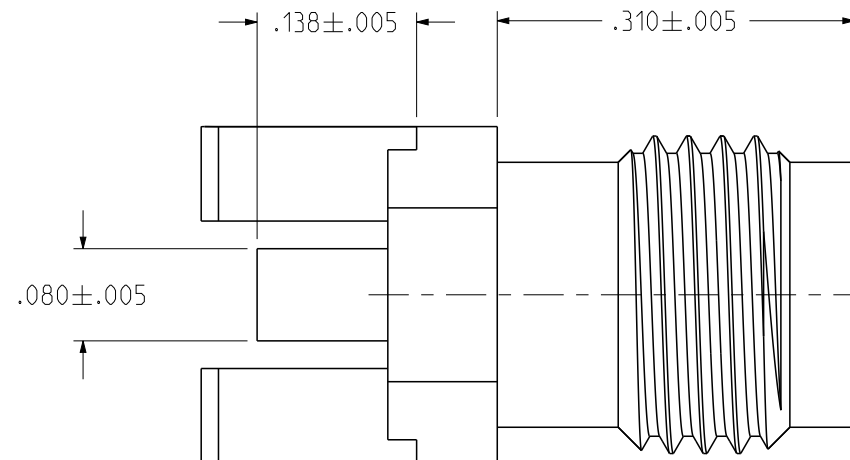
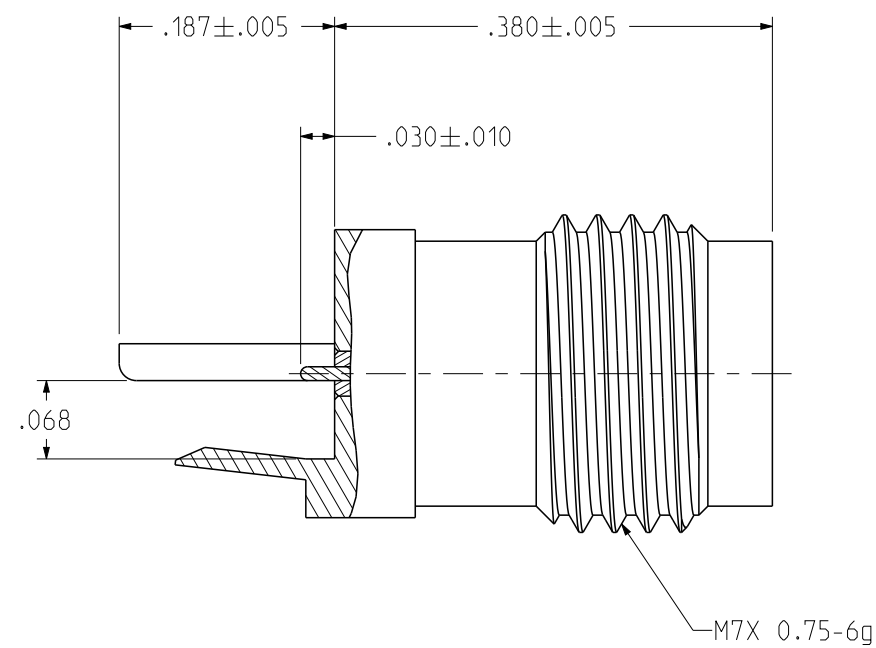
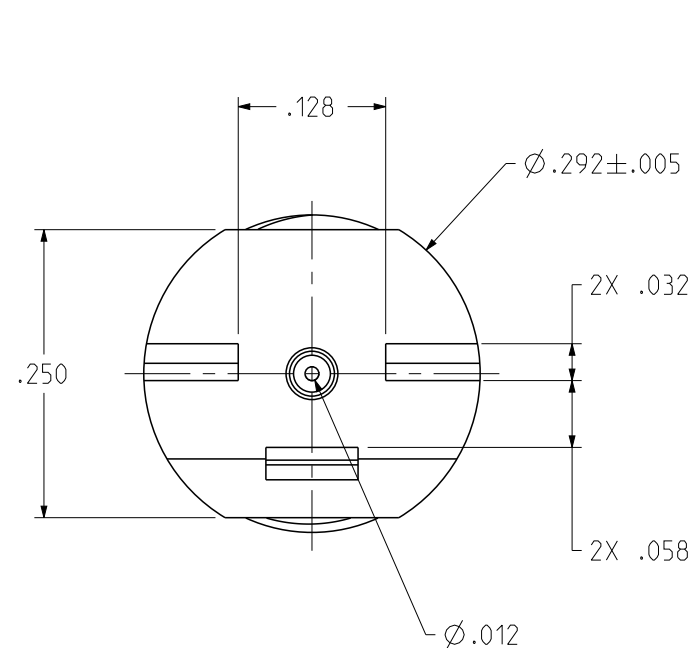


PART NUMBER
147-0731-201

REV	ECO	DATE
1	INITIAL RELEASE	30SEP2021



SCALE 4:1

NOTES:

1. MATERIALS AND FINISH:
 - 1.1 BODIES: GOLD PLATED BRASS
 - 1.2 CONTACT: GOLD PLATED BERYLLIUM COPPER
 - 1.3 INSULATOR: PTFE
2. ELECTRICAL SPECIFICATIONS:
 - 2.1 IMPEDANCE: 50 OHMS
 - 2.2 FREQUENCY RANGE: DC-50 GHz
 - 2.3 VSWR: 1.50 MAX
 - 2.4 WORKING VOLTAGE: 150 VRMS MAX AT SEA LEVEL
 - 2.5 DIELECTRIC WITHSTANDING VOLTAGE: 500 VRMS MIN AT SEA LEVEL
 - 2.6 INSULATION RESISTANCE: 5000 MEGOHM MIN
 - 2.7 CONTACT RESISTANCE:
 - 2.7.1 CENTER CONTACT - INTIAL 4.0 MILLIOHM MAX, AFTER ENVIRONMENTAL NOT APPLICABLE
 - 2.7.2 OUTER CONDUCTOR - INITIAL 2.5 MILLIOHM MAX, AFTER ENVIRONMENTAL NOT APPLICABLE
3. MECHANICAL SPECIFICATIONS:
 - 3.1 ENGAGEMENT/DISENGAGEMENT FORCE: 2 INCH-POUNDS MAX
 - 3.2 MATING TORQUE: 7 TO 10 INCH-POUNDS
 - 3.3 DURABILITY: 500 CYCLES MIN
4. ENVIRONMENTAL:

(MEETS OR EXCEEDS THE APPLICABLE PARAGRAPH OF MIL-PRF-39012)

 - 4.1 THERMAL SHOCK: MIL-STD-202, METHOD 107, CONDITION B
 - 4.2 OPERATING TEMPERATURE: -65 °C TO 165 °C
 - 4.3 CORROSION: MIL-STD-202, METHOD 101, CONDITION B
 - 4.4 SHOCK: MIL-STD-202, METHOD 213, CONDITION I
 - 4.5 VIBRATION: MIL-STD-202, METHOD 204, CONDITION D
 - 4.6 MOISTURE RESISTANCE: MIL-STD-202, METHOD 106

<p>This PROPRIETARY Document is property of Cinch Connectivity Solutions. It is confidential in nature, non-transferable, and issued with the clear understanding that it is not traced or copied without permission and is returnable upon demand.</p> <p>INTERPRET DRAWING IN ACCORDANCE WITH ASME Y14.5-2009.</p>	Model No: 147-0731-201/210	Title: JOHNSON 2.4MM JACK, PCB END LAUNCH, SELF FIXTURING FOR .062 BOARD	
	RoHS <input checked="" type="checkbox"/> (EU)/2015/863 COMPLIANT	Cage Code 3RD ANGLE PROJECTION	Drawing No. 147-0731-201/210
UNLESS OTHERWISE SPECIFIED UNITS: INCH .XX ± .01 .XXX ± .003 .XXXX ± .0010 ANGLE ± 2°	Drawn by: Roman Yao	Date: 09/30/2021	Size B DO NOT SCALE DRAWING Workmanship Std/Sheet NONE 1 OF 1

X-ON Electronics

Largest Supplier of Electrical and Electronic Components

Click to view similar products for [RF Connectors](#) / [Coaxial Connectors](#) category:

Click to view products by [Bel Fuse](#) manufacturer:

Other Similar products are found below :

[89674-0827](#) [6059674-1](#) [630059-000](#) [6501-1071-002](#) [6769](#) [7002-1541-010](#) [7002-1572-002](#) [7004-1512-000](#) [7009-1511-004](#) [7101-1541-010](#)
[7101-1571-002](#) [7105-1521-002](#) [7203-1571-003](#) [7209-1511-011](#) [7210-1511-040](#) [7242-1511-000](#) [7405-1521-005](#) [7405-1521-802](#)
[804S01D04M040](#) [8527](#) [8547](#) [FS11V](#) [877931](#) [8808-1511-001](#) [9049-9513-000](#) [9074-9513-000](#) [PL11C-026](#) [PL40-36](#) [9408-1113-000](#) [980-](#)
[8666-005](#) [11 SMA-50-2-6 / 111 NE](#) [11 SMA-50-3-6 / 111 NE](#) [1-201144-1](#) [120919](#) [R107003010W](#) [R112186000](#) [R113053000W](#) [R113082097](#)
[R113236000](#) [R114083000](#) [R114670000W](#) [R123415000W](#) [R124076320](#) [R124076450](#) [R124175123](#) [R125075000W](#) [R125075001](#)
[R125172000W](#) [R125415030](#) [R141007161](#)