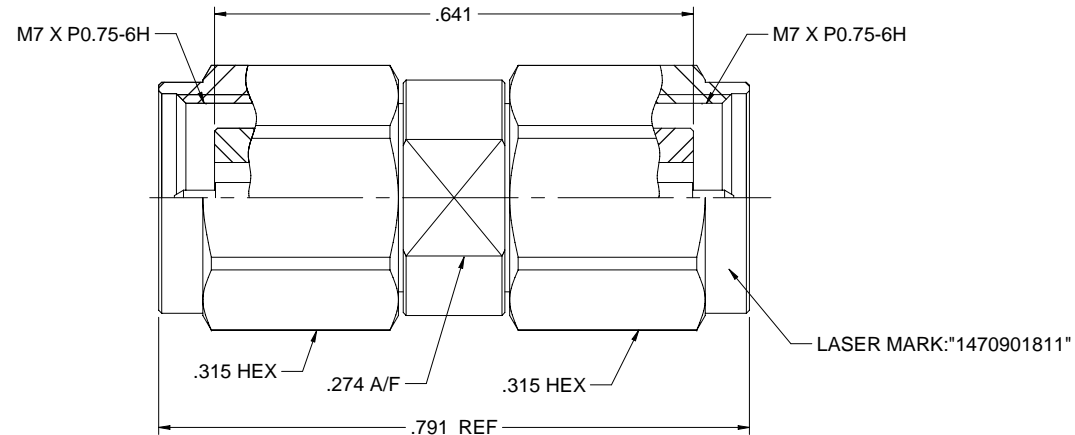


MODEL NO.	PACKAGING
147-0901-811	ONE PCS PER BAG

REV	ECO	DATE
001	ECO-17-002	11/28/2017



NOTES: UNLESS OTHERWISE SPECIFIED

1. MATERIAL & FINISH:

- 1.1 BODY & SHELL: PASSIVATED STAINLESS STEEL
- 1.2 CONTACT PIN : GOLD PLATED BERYLLIUM COPPER
- 1.3 INSULATOR: ULTEM 1000 AMBER
- 1.4 C RING: BERYLLIUM COPPER
- 1.5 GASKET: SILICONE RED

2. ELECTRICAL:

- 2.1 IMPEDANCE: 50 OHMS
- 2.2 FREQUENCY RANGE: 0-50 GHz
- 2.3 VOLTAGE STANDING WAVE RATIO: 1.2 MAX
- 2.4 DIELECTRIC WITHSTANDING VOLTAGE: 500 VRMS MIN
- 2.5 CONTACT RESISTANCE:
  - 2.5.1 CENER CONTACT: 4 MILLIOHM MAX
  - 2.5.2 OUTER CONTACT: 2.5 MILLIOHM MAX
- 2.6 INSULATOR RESISTANCE: 5000 MEGOHM MIN
- 2.7 INSERTION LOSS: 0.05 X $\sqrt{F}$ (GHZ) DB MAX

3. MECHANICAL:

- 3.1 ENGAGEMENT FORCE/DISENGAGEMENT FORCE: 0.23NM MAX
- 3.2 COUPLING PROOF TORQUE: 1.65 NM MIN
- 3.3 COUPLING NUT RETENTION: 267 N MIN
- 3.4 CONTACT RETENTION: 20N MIN
- 3.5 DURABILITY (MATING): 500 CYCLES MIN

4. ENVIRONMENT:

- 4.1 THERMAL SHOCK: MIL-STD-202, METHOD 107, CONDITION B.
- 4.2 OPERATING TEMPERATURE: -55 TO 125°C
- 4.3 SALT SPRAY: MIL-STD-202, METHOD 101, CONDITION B
- 4.4 SHOCK: MIL-STD-202, METHOD 213, CONDITION I
- 4.5 VIBRATION: MIL-STD-202, METHOD 204, CONDITION D
- 4.6 MOISTURE RESISTANCE: MIL-STD-202, METHOD 106

	Model No. 147-0901-811	Johnson	
	RoHS2 EU 2011/65/EU	File: ADAPTER ASSEMBLY.PLUG TO PLUG.2.4mm	Rev. 001
	DATE: 10/19/2017	Drawng No. 147-0901-811	Rev. 001
	Size C	DO NOT SCALE DRAWING	Sheet 1 of 1

## X-ON Electronics

Largest Supplier of Electrical and Electronic Components

*Click to view similar products for [RF Adapters - In Series](#) category:*

*Click to view products by [Bel Fuse](#) manufacturer:*

Other Similar products are found below :

[5916-1103-603](#) [5919-1503-000](#) [651A505](#) [82-5552](#) [9030-9523-502](#) [PN2C](#) [A0407000](#) [R114703000W](#) [R125771001](#) [R127871001](#)  
[R141710000W](#) [R141723161](#) [R141730000](#) [R143730700](#) [R143770000](#) [R161703000W](#) [R161753000W](#) [R161791530W](#) [R201705000](#)  
[R222705200](#) [R222M40010W](#) [R223703180](#) [R316754000](#) [R405006000](#) [R443162000](#) [AD78TL](#) [HRM-513S](#) [1996352-2](#) [2157155-1](#) [252169-75](#)  
[AD158](#) [2101130-1](#) [252186](#) [R114704000W](#) [R114720000W](#) [R125705001](#) [R125705701](#) [R125771000](#) [R125771001W](#) [R127704001](#)  
[R127.870.001](#) [R127872001](#) [R141717000](#) [R142710000](#) [R142723000](#) [R143703000](#) [R143704000](#) [R143705700](#) [R161771000W](#) [R176754000](#)