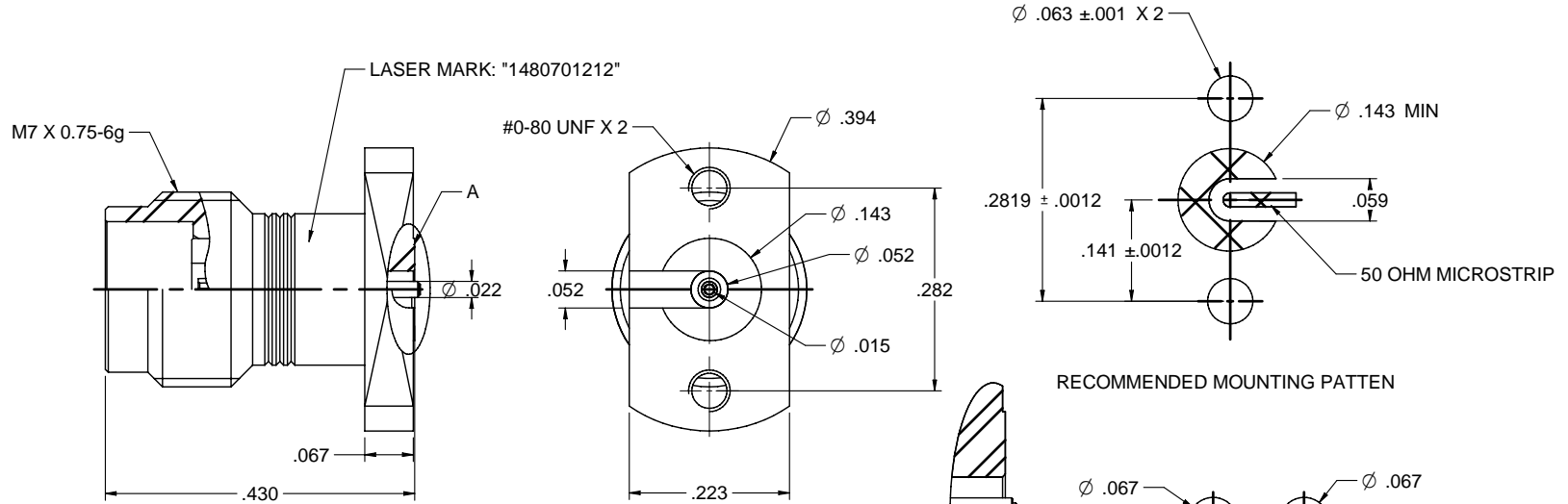
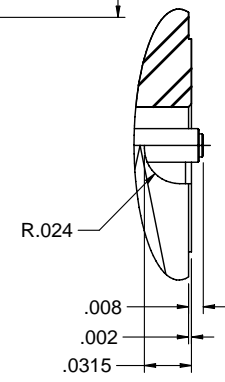
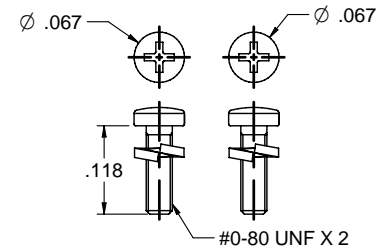


MODEL NO.	PACKAGING
148-0701-212	ONE PCS PER BAG

REV	ECO	DATE
001	ECO-19-001	08/28/2019



RECOMMENDED MOUNTING PATTERN



A DETAIL (10/1)

SCALE (3/1)

1. BOARD THICKNESS: 1.57-2.79mm

NOTES: UNLESS OTHERWISE SPECIFIED

1. MATERIAL & FINISH:
  - 1.1 BODY: PASSIVATED STAINLESS STEEL
  - 1.2 CONTACT PIN : GOLD PLATED BERYLLIUM COPPER
  - 1.3 INSULATOR: PTFE WHITE
  - 1.4 WASHER: STAINLESS STEEL
  - 1.5 BOLT: SUS302
  - 1.6 LOCK RING: NICKEL PLATED BRASS
2. ELECTRICAL:
  - 2.1 IMPEDANCE: 50 OHMS
  - 2.2 FREQUENCY RANGE: DC-67 GHz
  - 2.3 INSULATION RESISTANCE: 5000 MOHM MIN
  - 2.4 CONTACT RESISTANCE:
    - 2.4.1 CENTER CONTACT: 4 MILLIOHM MAX
    - 2.4.2 OUTER CONTACT: 2.5 MILLIOHM MAX
  - 2.5 DIELECTRIC WITHSTANDING VOLTAGE: 500VRMS MIN
  - 2.6 VOLTAGE STANDING WAVE RATIO (VSWR): 1.4 MAX
3. MECHANICAL:
  - 3.1 ENGAGEMENT/ DISENGAGEMENT FORCE: 0.23 NM MAX
  - 3.2 CONTACT RETENTION: 7 N MIN
  - 3.3 DURABILITY: 500 CYCLES MIN
4. ENVIRONMENT:
  - 4.1 THERMAL SHOCK: MIL-STD-202, METHOD 107, CONDITION B.
  - 4.2 OPERATING TEMPERATURE: -65 TO 165°C
  - 4.3 SHOCK: MIL-STD-202, METHOD 213, CONDITION I
  - 4.4 VIBRATION: MIL-STD-202, METHOD 204, CONDITION D
  - 4.5 MOISTURE RESISTANCE: MIL-STD-202, METHOD 106

	Model No. 148-0701-211/220	Johnson	
	RoHS2 2011/65/EU REACH 2019/1021/EC	Title: JACK, PCB, COMPRESSION MOUNT, SIDE GROOVE, 1.85mm	Drawing No. 148-0701-211/220 Rev. 001
DATE: 08/28/2019 DRAWING: C ANGLE: 15°	Designer: Betty.Yu	DO NOT SCALE DRAWING	SHEET NO. NONE Sheet 1 of 1

## X-ON Electronics

Largest Supplier of Electrical and Electronic Components

*Click to view similar products for [RF Connectors / Coaxial Connectors](#) category:*

*Click to view products by [Bel Fuse](#) manufacturer:*

Other Similar products are found below :

[8915-1511-000](#) [89674-0827](#) [6001-7071-019](#) [6002-7051-003](#) [6002-7551-202](#) [6059674-1](#) [619550-1](#) [630059-000](#) [M39030/3-01N](#) [6500-7071-046](#) [6769](#) [CX050L2AQ](#) [7002-1541-010](#) [7002-1542-011](#) [7004-1512-000](#) [7009-1511-004](#) [7010-1511-000](#) [7029-1511-060](#) [7101-1541-010](#) [7101-1571-002](#) [7145-1521-002](#) [7203-1571-003](#) [7209-1511-011](#) [7210-1511-015](#) [7210-1511-019](#) [73137-5015](#) [73216-2241](#) [73404-2300](#) [7405-1521-005](#) [7405-1521-802](#) [8527](#) [8547](#) [FS11V](#) [877931](#) [9049-9513-000](#) [9074-9513-000](#) [9101-9573-002](#) [910A205F](#) [9130-9573-002](#) [PL11SC-026](#) [PL375-33](#) [PL40-5](#) [PL74C-221](#) [PL75MC-217](#) [PL803-7](#) [980-8666-005](#) [1200690078](#) [1-201144-1](#) [R107003010W](#) [R110A172100](#)