

PART NUMBER
148-0801-801

REV	ECO	DATE
1	INITIAL RELEASE	17AUG2021

NOTES:

1. MATERIAL AND FINISH:

- 1.1 BODY: STAINLESS STEEL, PASSIVATED
- 1.2 CONTACT: BERYLLIUM COPPER, GOLD PLATE
- 1.3 INSULATOR: ULTEM 1000, AMBER
- 1.4 GASKET: SILICONE, RED

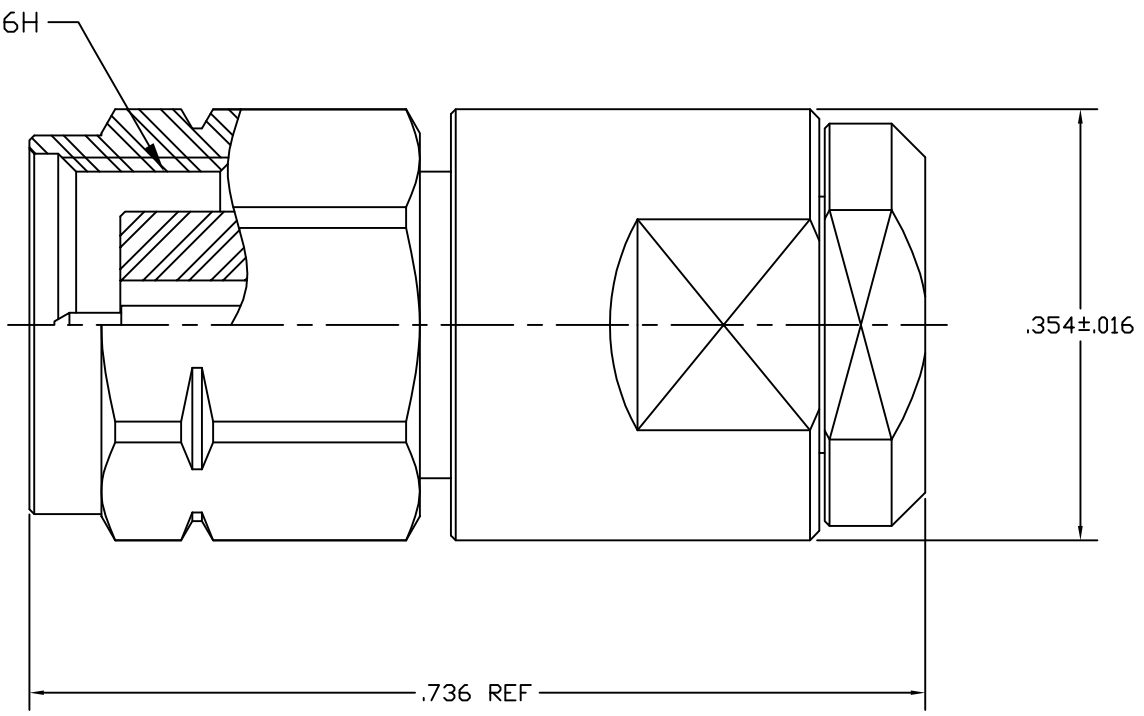
2. ELECTRICAL SPECIFICATIONS:


- 2.1 IMPEDANCE: 50 OHMS NOMINAL
- 2.2 FREQUENCY RANGE: DC~67 GHz
- 2.3 VSWR: 1.30 MAX

3. MECHANICAL SPECIFICATIONS:

- 3.1 ENGAGE/DISENGAGE FORCE: 0.23 Nm MAX (1.85MM)
- 3.2 COUPLING NUT RETENTION: 267 N MIN
- 3.3 COUPLING PROOF TORQUE: 1.65 Nm MIN
- 3.4 DURABILITY: 500 CYCLES MIN

M7xP0.75-6H



 <p>cinch CONNECTIVITY SOLUTIONS <small>a bel group</small></p> <p><small>This PROPRIETARY document is property of Cinch Connectivity Solutions. It is confidential in nature, non-transferable, and issued with the clear understanding that it is not to be used or copied without permission and is returnable upon demand.</small></p> <p><small>INTERPRET DRAWING IN ACCORDANCE WITH ASME Y14.5-2009.</small></p>	Model No:	148-0801-801	JOHNSON	
	RoHS <input checked="" type="checkbox"/>	Cage Code	Title: 1.85MM TERMINATION, PLUG, WITHOUT CHAIN	
	(EU)/2015/863 COMPLIANT	3RD ANGLE PROJECTION		
	UNLESS OTHERWISE SPECIFIED UNITS ARE:	Drawn by:	Drawing No. 148-0801-801 REV. 1	
.XXX±.008	TOMMY REN			
.XXXX±.004	Date:	Size B DO NOT SCALE DRAWING Workmanship Std Sheet 1 OF 1		
ANGLES±5°	08/17/2021			

X-ON Electronics

Largest Supplier of Electrical and Electronic Components

Click to view similar products for [RF Connectors / Coaxial Connectors](#) category:

Click to view products by [Bel Fuse](#) manufacturer:

Other Similar products are found below :

[8915-1511-000](#) [89674-0827](#) [6001-7071-019](#) [6002-7051-003](#) [6002-7551-202](#) [6059674-1](#) [619550-1](#) [630059-000](#) [M39030/3-01N](#) [6500-7071-046](#) [6769](#) [CX050L2AQ](#) [7002-1541-010](#) [7002-1542-011](#) [7002-1572-002](#) [7003-1542-011](#) [7004-1512-000](#) [7009-1511-004](#) [7010-1511-000](#) [7029-1511-060](#) [7101-1541-010](#) [7101-1571-002](#) [7145-1521-002](#) [7203-1571-003](#) [7209-1511-011](#) [7210-1511-015](#) [7210-1511-019](#) [73137-5015](#) [73216-2241](#) [73404-2300](#) [7405-1521-005](#) [7405-1521-802](#) [8527](#) [8547](#) [FS11V](#) [9049-9513-000](#) [9074-9513-000](#) [9101-9573-002](#) [910A205F](#) [9130-9573-002](#) [PL11SC-026](#) [PL375-33](#) [PL40-5](#) [PL74C-221](#) [PL75MC-217](#) [PL803-7](#) [980-8666-005](#) [1200690078](#) [1-201144-1](#) [R107003010W](#)