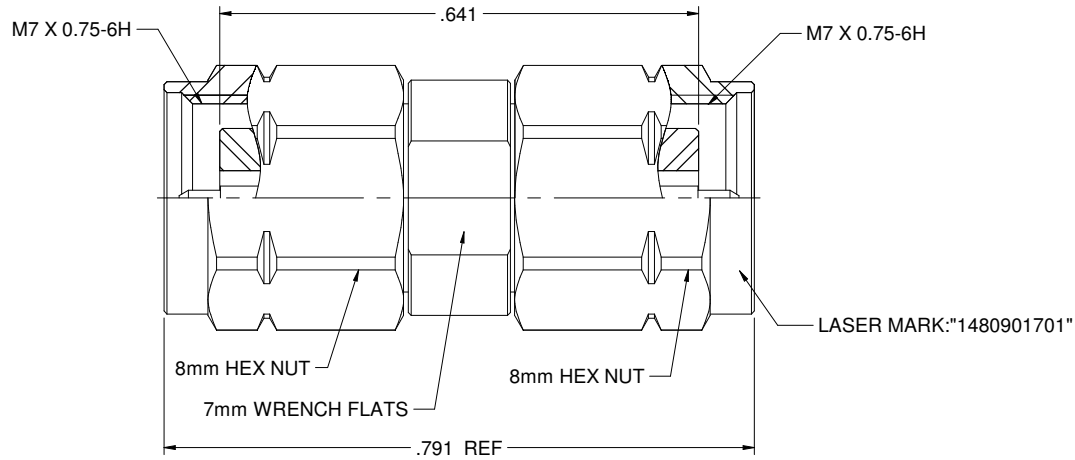


MODEL NO.	PACKAGING
148-0901-701	ONE PCS PER BAG

REV	ECO	DATE
001	ECO-17-0003	12/18/2017



NOTES: UNLESS OTHERWISE SPECIFIED

1. MATERIAL & FINISH:

- 1.1 BODY & SHELL: PASSIVATED STAINLESS STEEL
- 1.2 CONTACT PIN : GOLD PLATED BERYLLIUM COPPER
- 1.3 INSULATOR: ULTEM 1000 AMBER
- 1.4 GASKET: SILICONE RED
- 1.5 C RING: BERYLLIUM COPPER

2. ELECTRICAL:

- 2.1 IMPEDANCE: 50 OHMS
- 2.2 FREQUENCY RANGE: 0-67 GHZ
- 2.3 VOLTAGE STANDING WAVE RATIO: 1.2 MAX
- 2.4 INSERTION LOSS: 0.05 X<sub>v</sub>/F (GHZ)DB MAX
- 2.5 DIELECTRIC WITHSTANDING VOLTAGE: 500 VRMS MIN
- 2.6 CONTACT RESISTANCE: CENTER CONTACT: 4 MILLIOHMS MAX  
OUTER CONTACT: 2.5 MILLIOHMS MAX
- 2.7 INSULATION RESISTANCE: 5000 MOHM MIN

3. MECHANICAL:

- 3.1 ENGAGEMENT/ DISENGAGEMENT FORCE: 0.23 NM MAX
- 3.2 COUPLING PROOF TORQUE: 1.65 NM MIN
- 3.3 COUPLING NUT RETENTION: 267 N MIN
- 3.4 CONTACT RETENTION: 20 N MIN
- 3.5 DURABILITY: 500 CYCLES MIN

4. ENVIRONMENT:

- 4.1 THERMAL SHOCK: MIL-STD-202, METHOD 107, CONDITION B.
- 4.2 OPERATING TEMPERATURE: -55 TO 125°C
- 4.3 SALT SPRAY: MIL-STD-202, METHOD 101, CONDITION B
- 4.4 SHOCK: MIL-STD-202, METHOD 213, CONDITION I
- 4.5 VIBRATION: MIL-STD-202, METHOD 204, CONDITION D
- 4.6 MOISTURE RESISTANCE: MIL-STD-202, METHOD 106

	Model No. 148-0901-701/710	<b>Johnson</b>	
		Title: ADAPTER ASSEMBLY, PLUG TO PLUG, 1.85mm	
<small>THIS DRAWING IS THE PROPERTY OF CINCH CONNECTIVITY CORPORATION. IT IS TO BE USED ONLY FOR THE PROJECT AND QUANTITY SPECIFIED IN THE ORDER. IT IS NOT TO BE REPRODUCED OR TRANSMITTED IN ANY FORM OR BY ANY MEANS, ELECTRONIC OR MECHANICAL, INCLUDING PHOTOCOPYING, RECORDING, OR BY ANY INFORMATION STORAGE AND RETRIEVAL SYSTEM.</small>	<small>XXXX ±.02</small> <small>XXXXX ±.01</small> <small>ANGLES: 45°</small>	<small>DATE</small> Betty Yu 12/12/2017	<small>SIZE</small> C <small>DO NOT SCALE DRAWING</small>
<small>REVISIONS</small>		<small>DRAWING NO.</small> 148-0901-701/710	<small>REV</small> 001 <small>SHEET 1 OF 1</small>

## X-ON Electronics

Largest Supplier of Electrical and Electronic Components

*Click to view similar products for [RF Adapters - In Series category:](#)*

*Click to view products by [Bel Fuse manufacturer:](#)*

Other Similar products are found below :

[5916-1103-603](#) [5919-1503-000](#) [651A505](#) [82-5552](#) [9030-9523-502](#) [PN2C](#) [A0407000](#) [R114703000W](#) [R125771001](#) [R141710000W](#)  
[R141723161](#) [R141730000](#) [R143730700](#) [R143770000](#) [R161703000W](#) [R161753000W](#) [R161791530W](#) [R201705000](#) [R222705200](#)  
[R222M40010W](#) [R223703180](#) [R316754000](#) [R405006000](#) [R443162000](#) [AD78TL](#) [HRM-513S](#) [1996352-2](#) [2157155-1](#) [252169-75](#) [AD158](#)  
[2101130-1](#) [252186](#) [R114704000W](#) [R114720000W](#) [R125705001](#) [R125705701](#) [R125771000](#) [R125771001W](#) [R127704001](#) [R127.870.001](#)  
[R127872001](#) [R141717000](#) [R142710000](#) [R142723000](#) [R143703000](#) [R143704000](#) [R143705700](#) [R161715000W](#) [R161771000W](#) [R176754000](#)