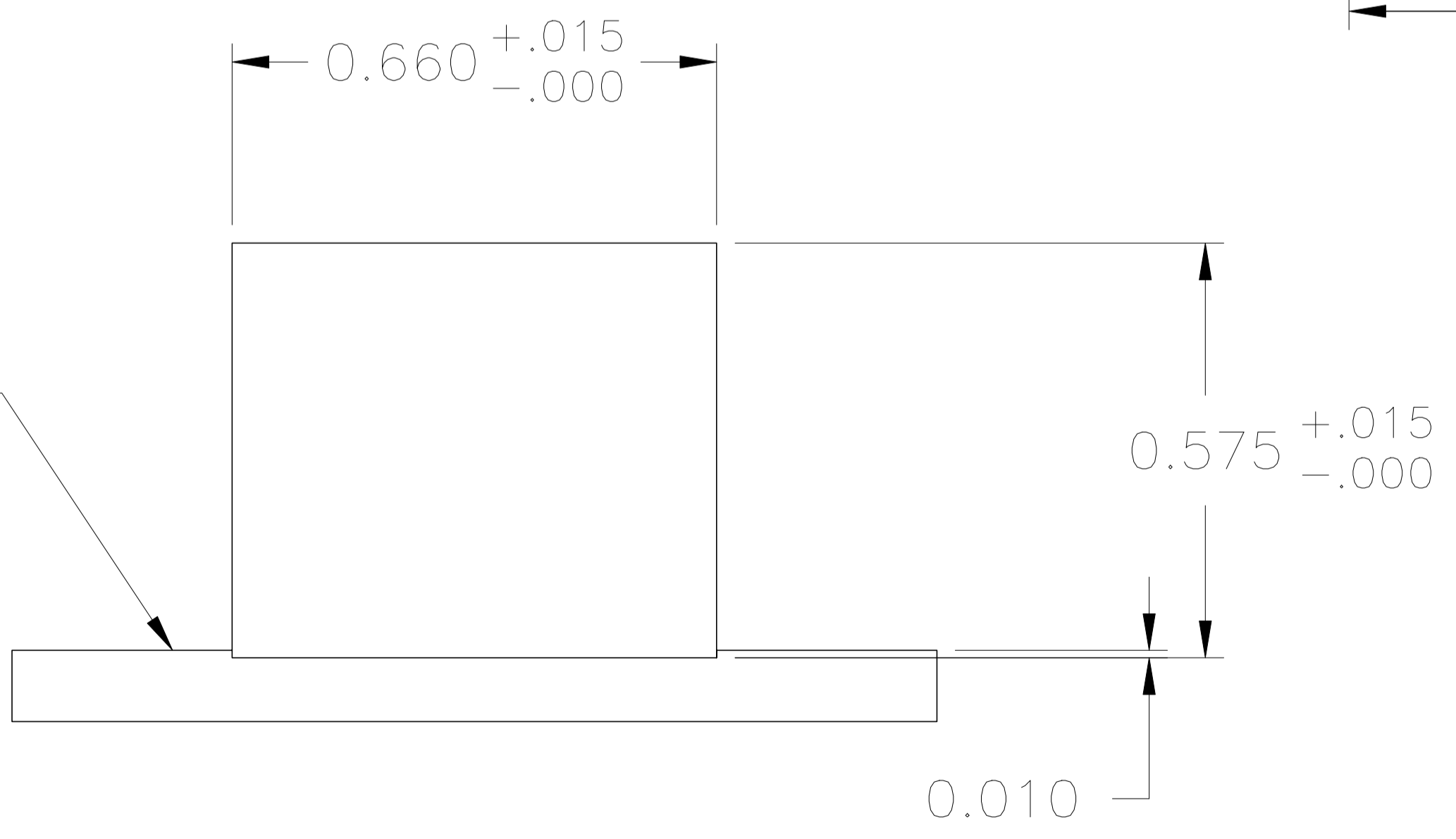
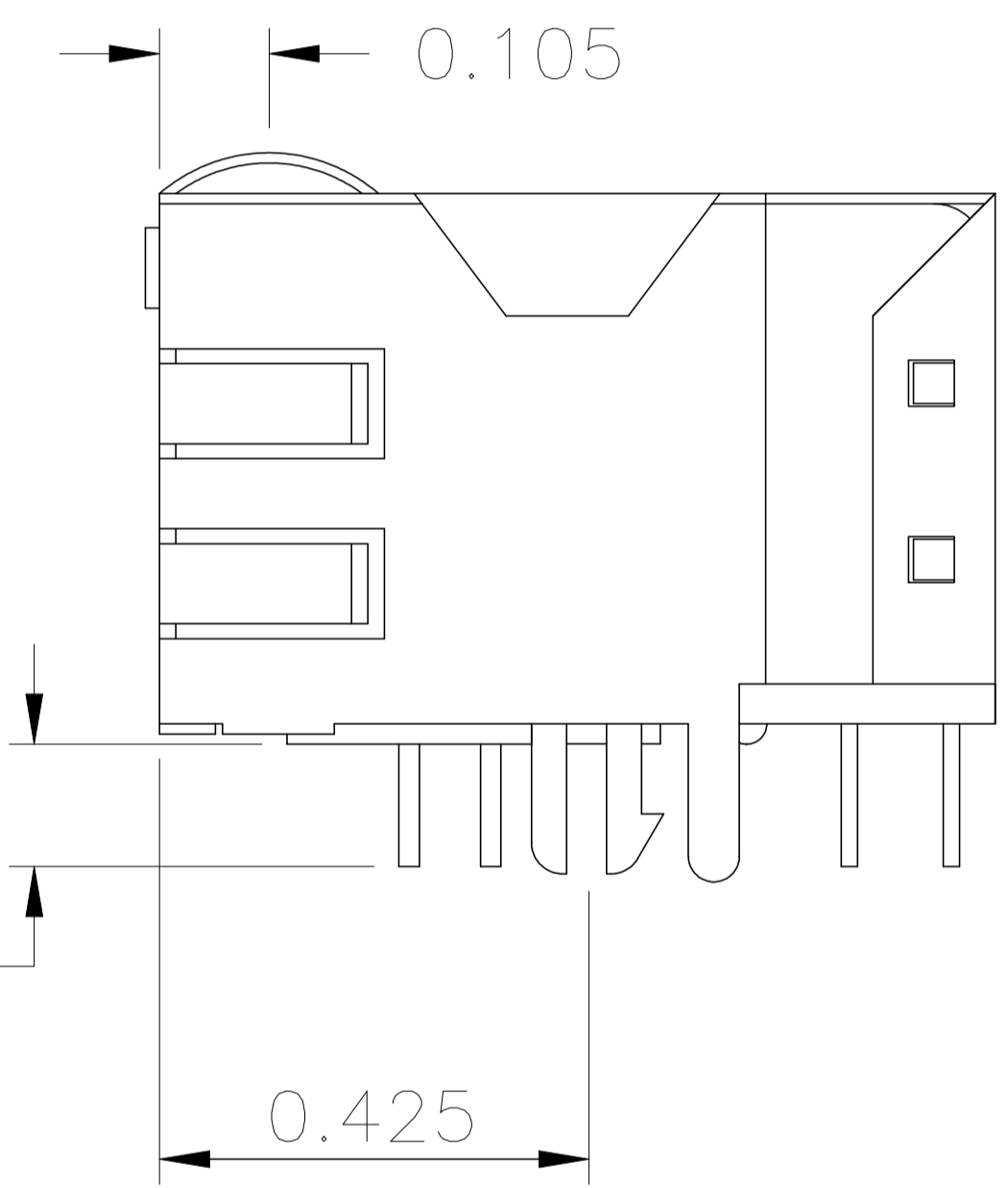
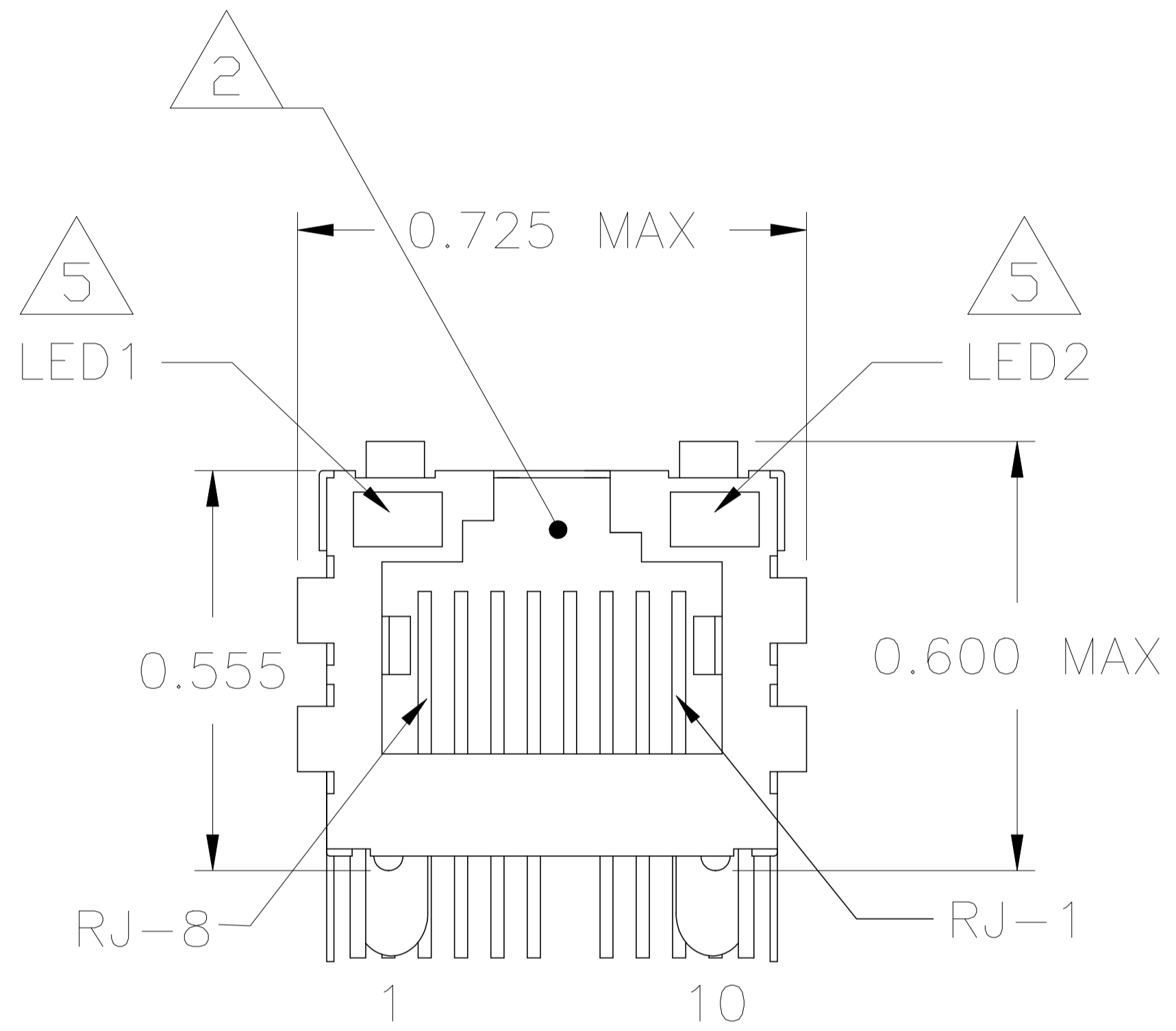
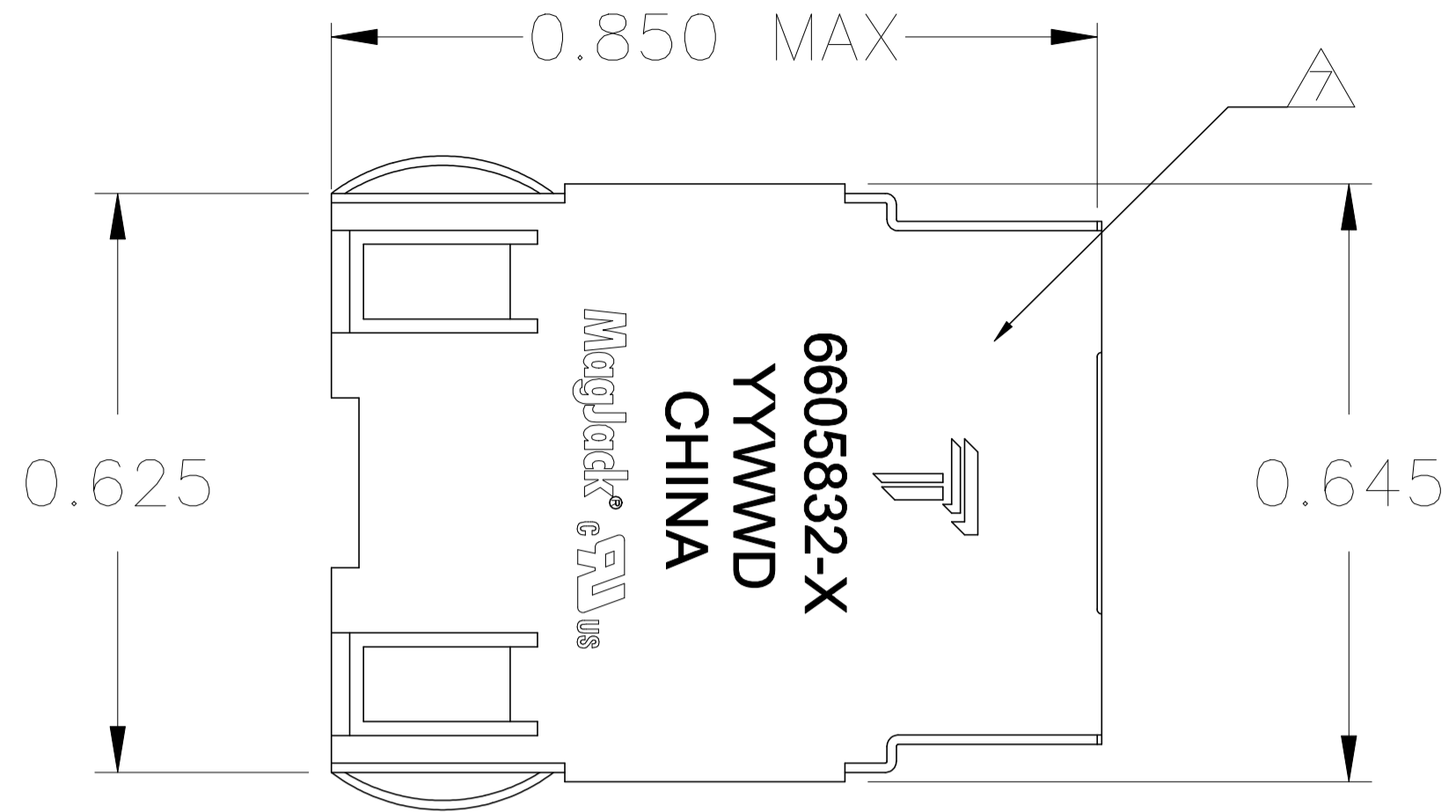


THIS DRAWING AND THE SUBJECT MATTER SHOWN THEREON ARE CONFIDENTIAL AND THE PROPERTY OF BEL/STEWART/TRP CONNECTOR AND SHALL NOT BE REPRODUCED, COPIED, OR USED IN ANY MANNER WITHOUT THE WRITTEN CONSENT OF TRP CONNECTOR.

PRODUCT MAY BE PROTECTED BY ONE OR MORE OF THE FOLLOWING US PATENTS:  
 5736910 5939955 6425781 6428361 6554638 6840817 7123117  
 7429195 7717749 7808751 6217391 6149050 7924130

REVISIONS				
P	REV	DESCRIPTION	DATE	APVD
E		EC-1411035 COMPANY LOGO CHANGE	09JAN2015	HY KZ

MECHANICAL:

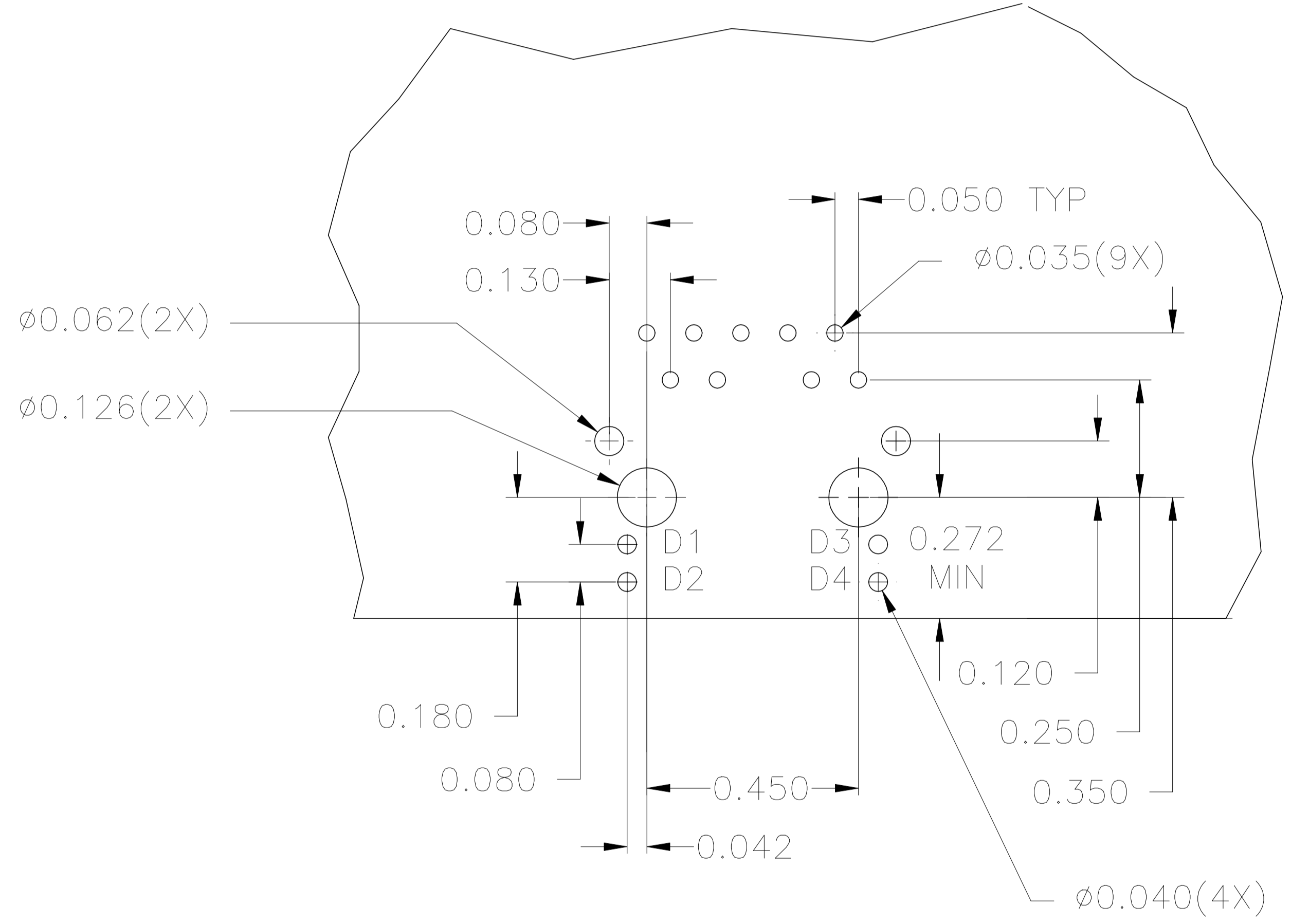
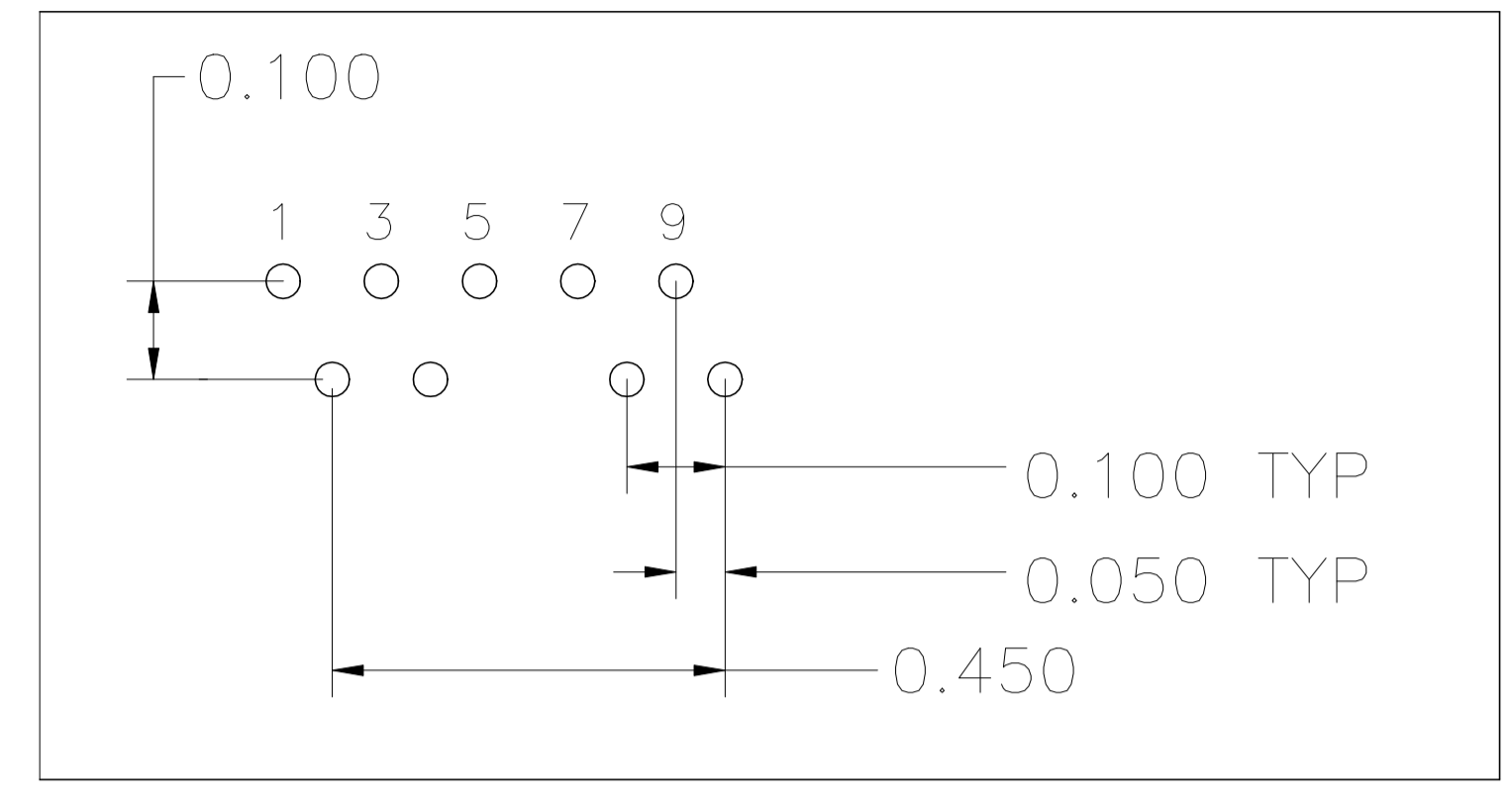
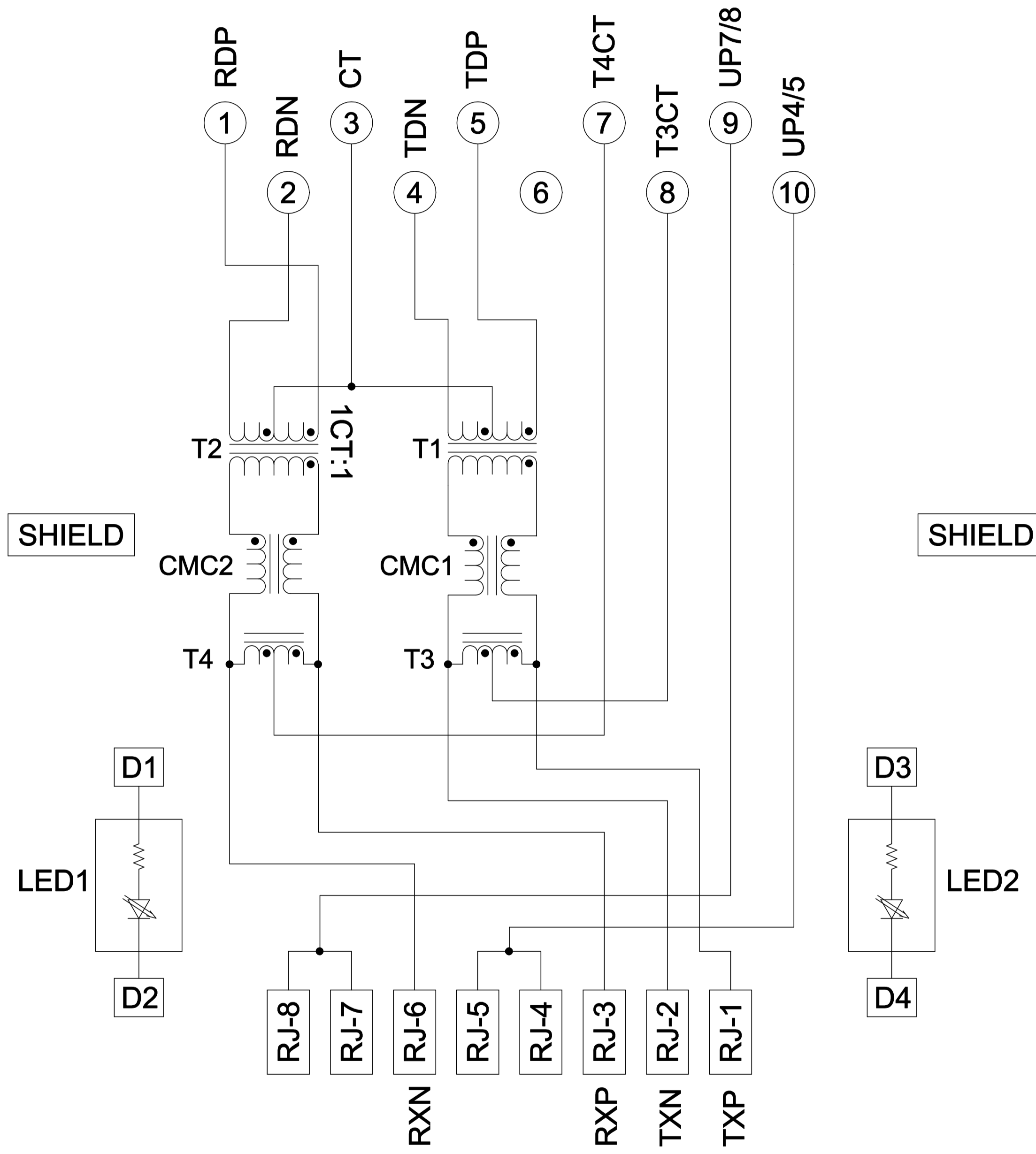


Suggested Panel Cutout

- 1 MATERIALS:
  - HOUSING - THERMOPLASTIC PET POLYESTER FLAMMABILITY RATING UL 94V-0.
  - SHIELD - 0.010" THICK, C26800 BRASS PREPLATED WITH 30μ INCH MIN SEMI-BRIGHT NICKEL, SOLDER TABS POST DIPPED WITH 100μ INCH MIN SAC SOLDER.
  - MOD JACK CONTACTS - 0.0157" x 0.018" PHOSPHOR BRONZE, 50μ INCH MIN OVERALL NICKEL UNDERPLATE, WITH SELECT 50μ INCH MIN HARD GOLD FINISH PLATE. SOLDER TAILS WITH 100μ INCH MIN MATTE TIN AND/OR SAC SOLDER DIP.
- 2 RJ45 JACK CAVITY CONFORMS TO FCC RULES AND REGULATIONS PART 68, SUB PART F.
- 3 MAGNETICS
  - IMPEDANCE: 100 OHMS
  - TURNS RATIO (CHIP: CABLE): TX = 1:1, RX = 1:1
  - OPEN CIRCUIT INDUCTANCE (OCL): 350μ H MIN @100kHz, 0.1VRMS, 8mADC BIAS FROM 0°C TO 70°C, TX AND RX
  - POE CURRENT: 350mADC MAX
  - PERFORMANCE @ 25°C:
    - INSERTION LOSS (IL): 1.1dB MAX FROM 0.5MHz TO 100MHz
    - RETURN LOSS (RL): 18dB MIN FROM 0.5MHz TO 30MHz
    - 18-20LOG(f/30)dB MIN FROM 30.1MHz TO 60MHz
    - 12dB MIN FROM 60.1MHz TO 80MHz
    - CROSSTALK ATTENUATION: 35dB MIN FROM 0.5MHz TO 40MHz
    - 33-20\*LOG(f/50)dB MIN FROM 40.1MHz TO 100MHz
    - COMMON MODE REJECTION RATIO (CMRR): 30dB MIN FROM 0.5MHz TO 100MHz
    - ISOLATION VOLTAGE: 1500VAC (MAX) AT 60Hz FOR 60 SECS.
- 4. OPERATING TEMPERATURE: FROM 0°C - +70°C.
- 5 LEDs WITH BUILT-IN RESISTOR
  - LEDs ARE DRIVEN WITH 5V VOLTAGE AND THE MAX OPERATING CURRENT IS 20mA.
  - LED COLOR : DOMINANT WAVELENGTH (λD): GREEN 568 nm TYP. @ VF=5V
  - FORWARD CURRENT (IF): GREEN 12 mA TYP. @ VF=5V
  - DOMINANT WAVELENGTH (λD): YELLOW 588 nm TYP. @ VF=5V
  - FORWARD CURRENT (IF): YELLOW 13 mA TYP. @ VF=5V
- 6 INDICATED CONNECTIONS ARE FOR NIC CONFIGURATION. THE MAGNETICS ARE SYMMETRIC TO SUPPORT AUTO-MDI/MDIX.
- 7 TRP CONNECTOR LOGO, PART NUMBER, DATE CODE, COUNTRY OF ORIGIN AND AGENCY APPROVAL MARKING IN APPROXIMATE LOCATION SHOWN.
- 8. THE PART IS RECOMMENDED FOR WAVE SOLDERING PROCESS, PEAK WAVE SOLDERING TEMPERATURE IS 265°C MAX, 10 SECONDS MAX.

THIS DRAWING IS A CONTROLLED DOCUMENT.		DWN L. VARELA - DOCK5 04MAR2005		GREEN LED1		GREEN LED2		1-6605832-1 PART NUMBER	
DIMENSIONS: INCHES		CHK D. FAROLE 04MAR2005		APVD D. FAROLE 04MAR2005		DESC 1X1 7V15 10/100 POE TAB UP W/ LED		DONGGUAN CHINA	
TOLERANCES UNLESS OTHERWISE SPECIFIED:		MODEL NAME		MAGJACK SINGLE POE		SIZE A1		RESTRICTED TO	
0 PLC ± -		1 PLC ± -		2 PLC ± .01		3 PLC ± .005		C=6605832	
4 PLC ± -		ANGLES ± -		PRODUCT SPEC 108-2100		APPLICATION SPEC -		CUSTOMER DRAWING	
SCALE NTS		SHEET 1 OF 2		REV E		SCALE NTS		SHEET 1 OF 2	

# 7V15 Magnetic CIRCUIT △<sub>3</sub>△<sub>6</sub>



**Suggested Footprint**

THIS DRAWING IS A CONTROLLED DOCUMENT.		DWN L. VARELA - DOCK5 04MAR2005	CHK D. FAROLE 04MAR2005	APVD D. FAROLE 04MAR2005	 DONGGUAN CHINA
DIMENSIONS: INCHES	TOLERANCES UNLESS OTHERWISE SPECIFIED:	0 PLC ± -	1 PLC ± -	2 PLC ± .01	3 PLC ± .005
PRODUCT SPEC 108-2100	APPLICATION SPEC -	4 PLC ± -	ANGLES ± -	MODEL NAME MAGJACK SINGLE POE	DESC 1X1 7V15 10/100 POE TAB UP W/ LED
CUSTOMER DRAWING		SIZE A1	CAGE CODE -	DRAWING NO C=6605832	RESTRICTED TO -
		SCALE NTS	SHEET 2	OF 2	REV E

## X-ON Electronics

Largest Supplier of Electrical and Electronic Components

*Click to view similar products for [Modular Connectors / Ethernet Connectors](#) category:*

*Click to view products by [Bel Fuse](#) manufacturer:*

Other Similar products are found below :

[8949-H88/06BLKA/SN](#) [74441-0010/BKN](#) [MP1010RX-1000](#) [MP44RX-1000](#) [PHJ-4P4C-1-V-4](#) [PHP-6P6C-5](#) [GAX-3-66](#) [GAX-8-62](#) [GDCX-PA-66-50](#) [GDCX-PN-64](#) [GDCX-PN-66](#) [GDCX-PN-66-50](#) [GDLX-A-66](#) [GDLX-N-66](#) [GDLX-S-66](#) [GDLX-S-88K](#) [GDLX-SMT-S-88](#) [GDTX-S-88-50](#) [GDX-PA-1010](#) [GLX-N-1010M-BLK](#) [GLX-S-88M-BLK](#) [GMX-N-1010](#) [GMX-S-1010](#) [GMX-S-66](#) [GMX-SMT4-N-88](#) [GPX-2-64](#) [GSGX-N-2-88](#) [GSGX-N-4-88](#) [GSX-NS2-88-3.05](#) [GSX-NS2-88-3.05-50](#) [GSX-NS-88-3.05-50](#) [PT-108A-8C-UL](#) [PT-J951-8C](#) [PTS-J531-8CS-50UL](#) [1-1775629-2](#) [A-2014-0-4](#) [GWLX-S-88-GR](#) [GWLX-S9-88-YG](#) [DC-1021-8-WH-6](#) [1300530003](#) [1324640-4](#) [RJ11FTVC2G](#) [RJ11FTVC2N](#) [RJFTVX2SA1G](#) [132764-001](#) [1413235](#) [MP88X-1000](#) [MPS88RX-5000](#) [E5288-S000K3-L](#) [E5908-15A242-L](#)