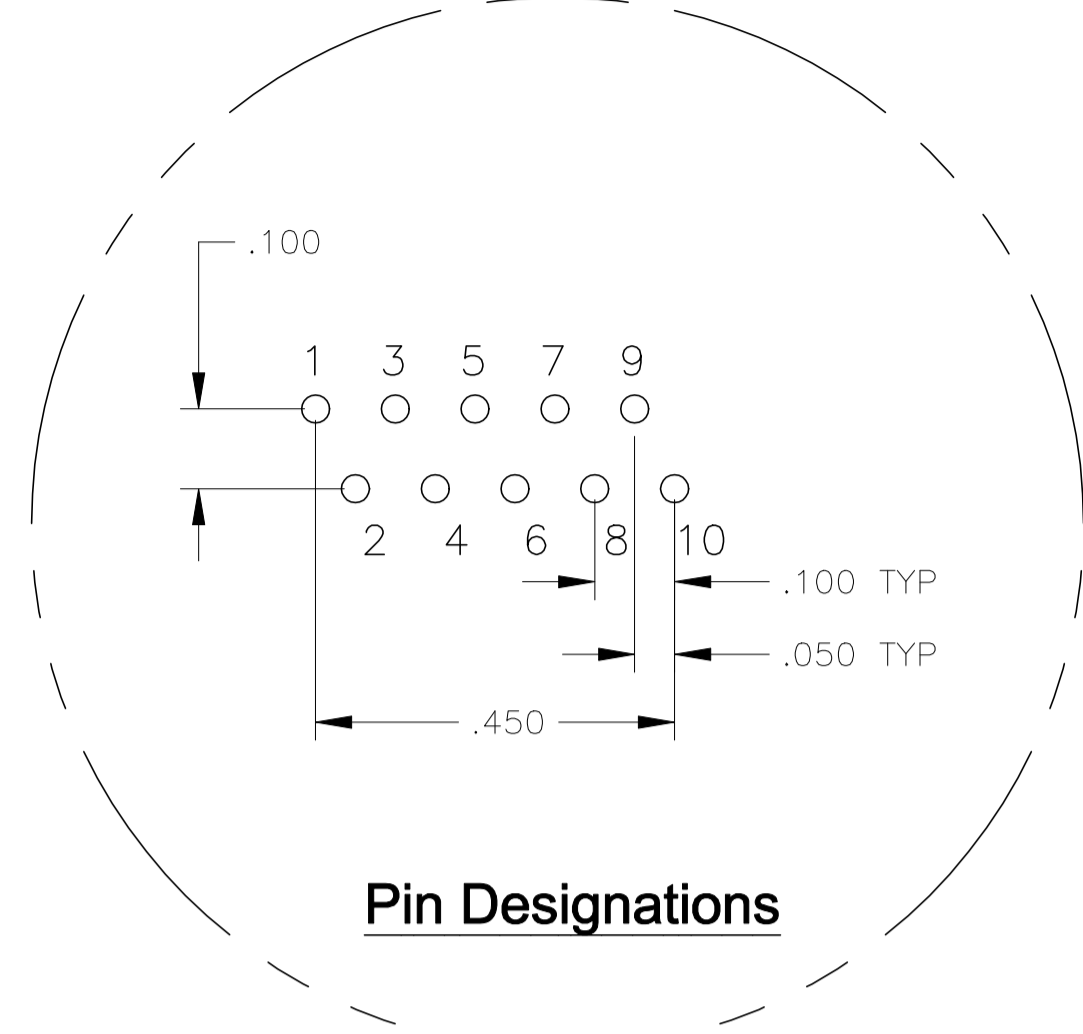
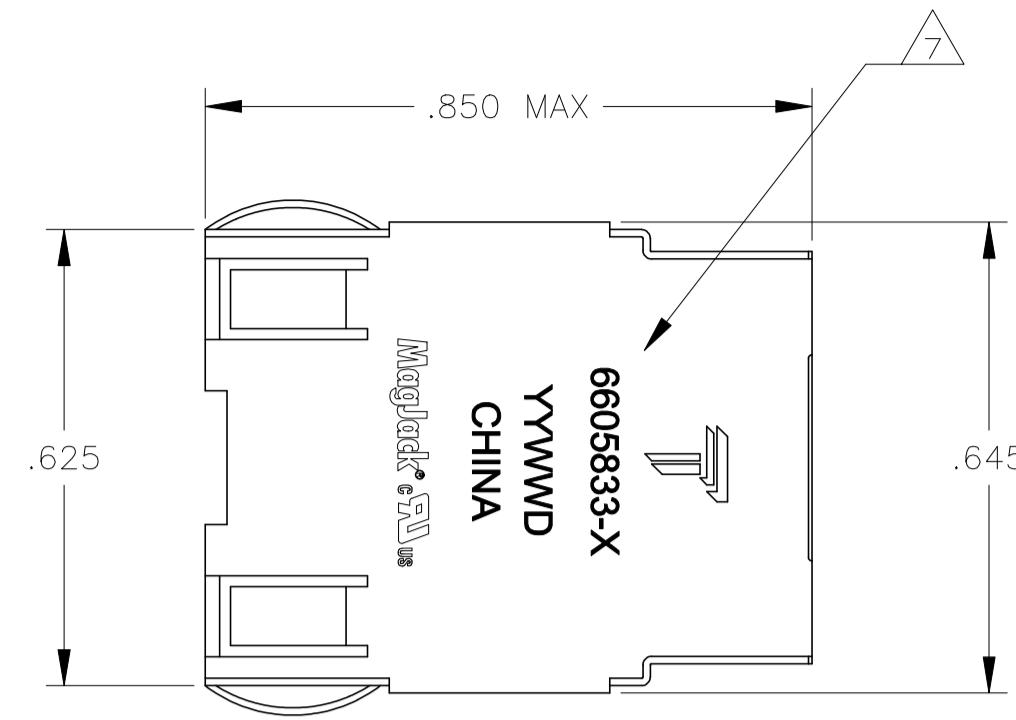


THIS DRAWING AND THE SUBJECT MATTER SHOWN THEREON ARE CONFIDENTIAL AND THE PROPERTY OF BEL/STEWART/TRP CONNECTOR AND SHALL NOT BE REPRODUCED, COPIED, OR USED IN ANY MANNER WITHOUT THE WRITTEN CONSENT OF TRP CONNECTOR.

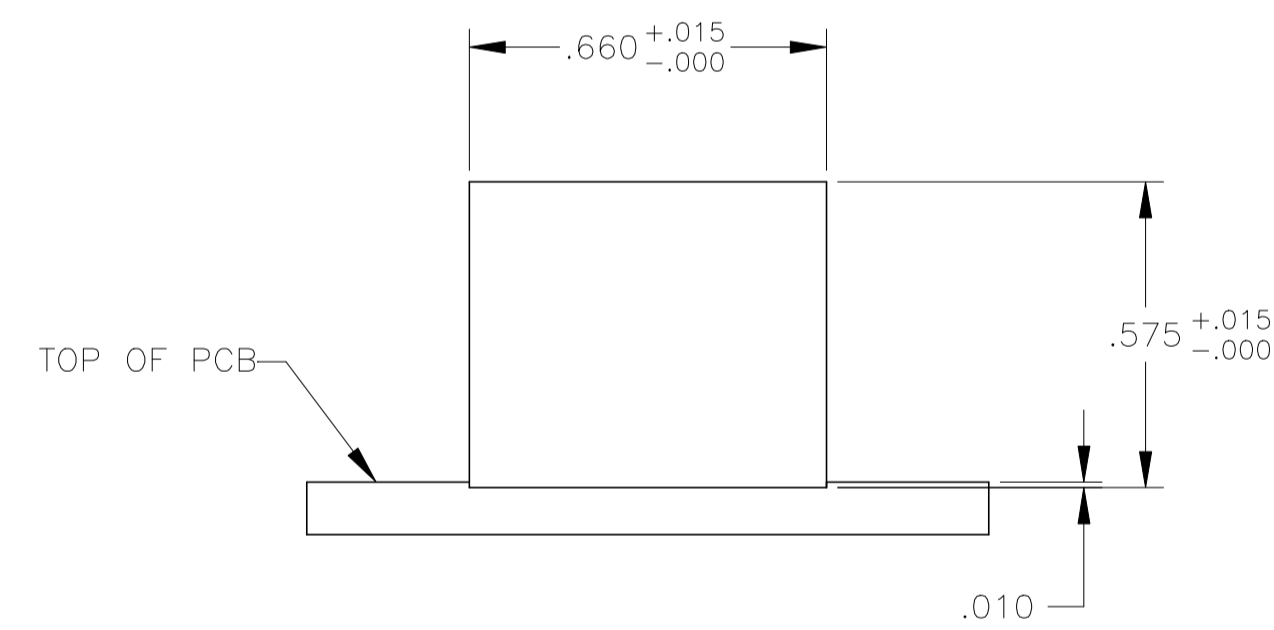
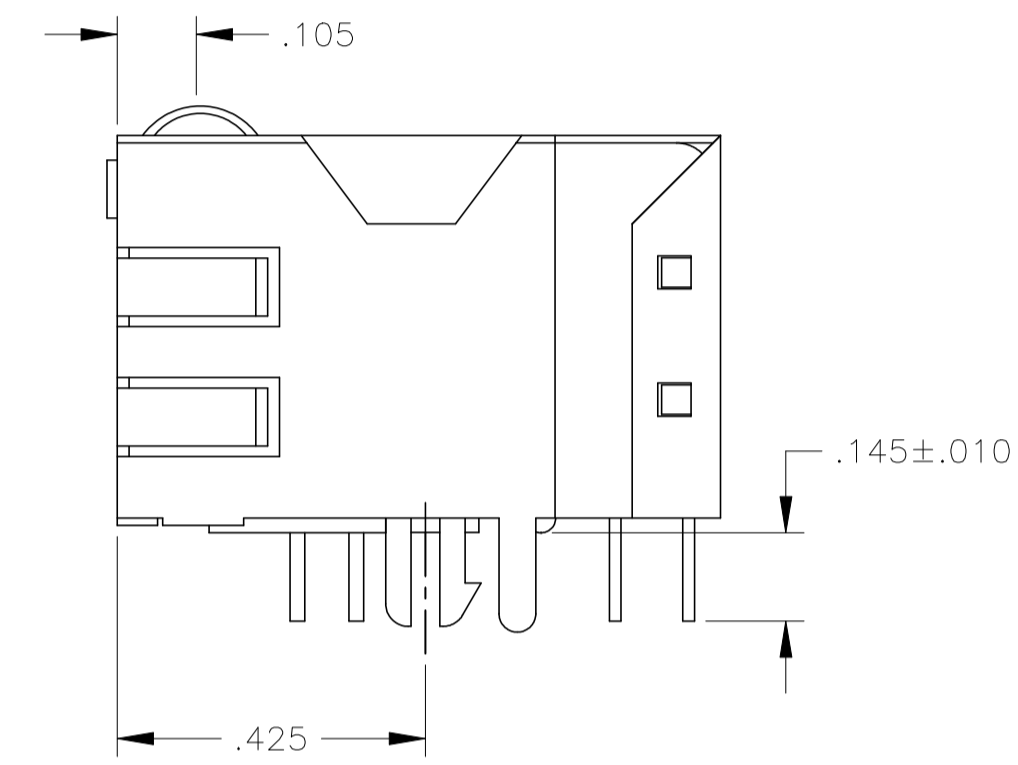
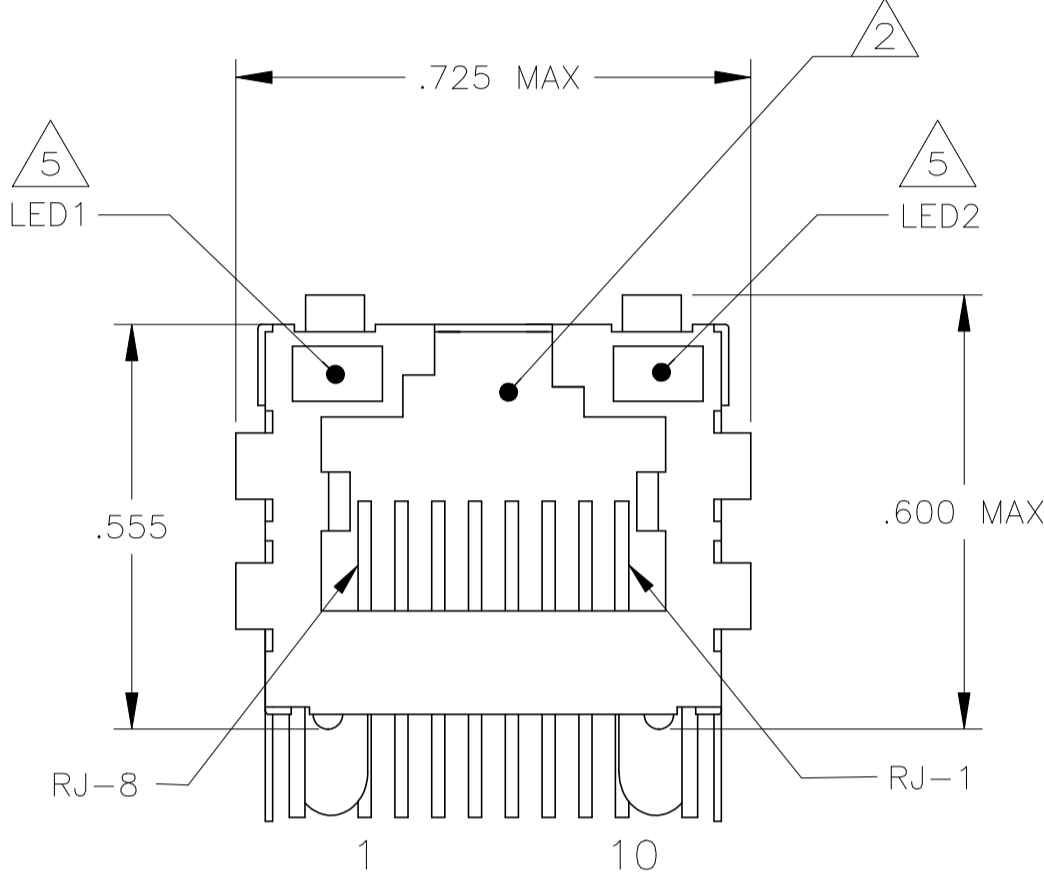
PRODUCT MAY BE PROTECTED BY ONE OR MORE OF THE FOLLOWING US PATENTS:  
 5736910 5939955 6425781 6428361 6554638 6840817 7123117  
 7429195 7717749 7808751 6217391 6149050 7924130

| REVISIONS |     |                                |           |       |
|-----------|-----|--------------------------------|-----------|-------|
| P         | LYR | DESCRIPTION                    | DATE      | APVD  |
| E         |     | EC-1411035 COMPANY LOGO CHANGE | 09JAN2015 | HY KZ |

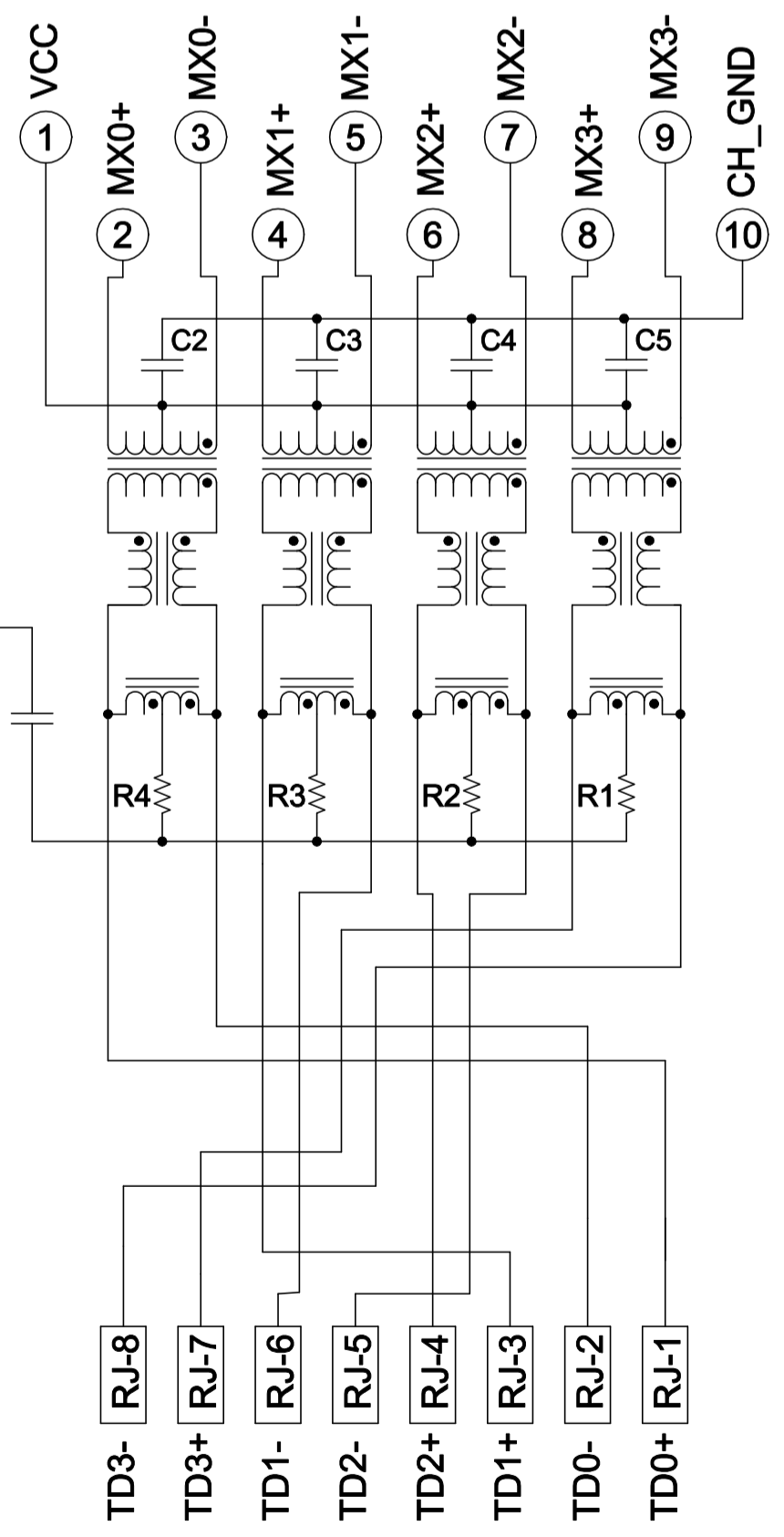
**MECHANICAL:**



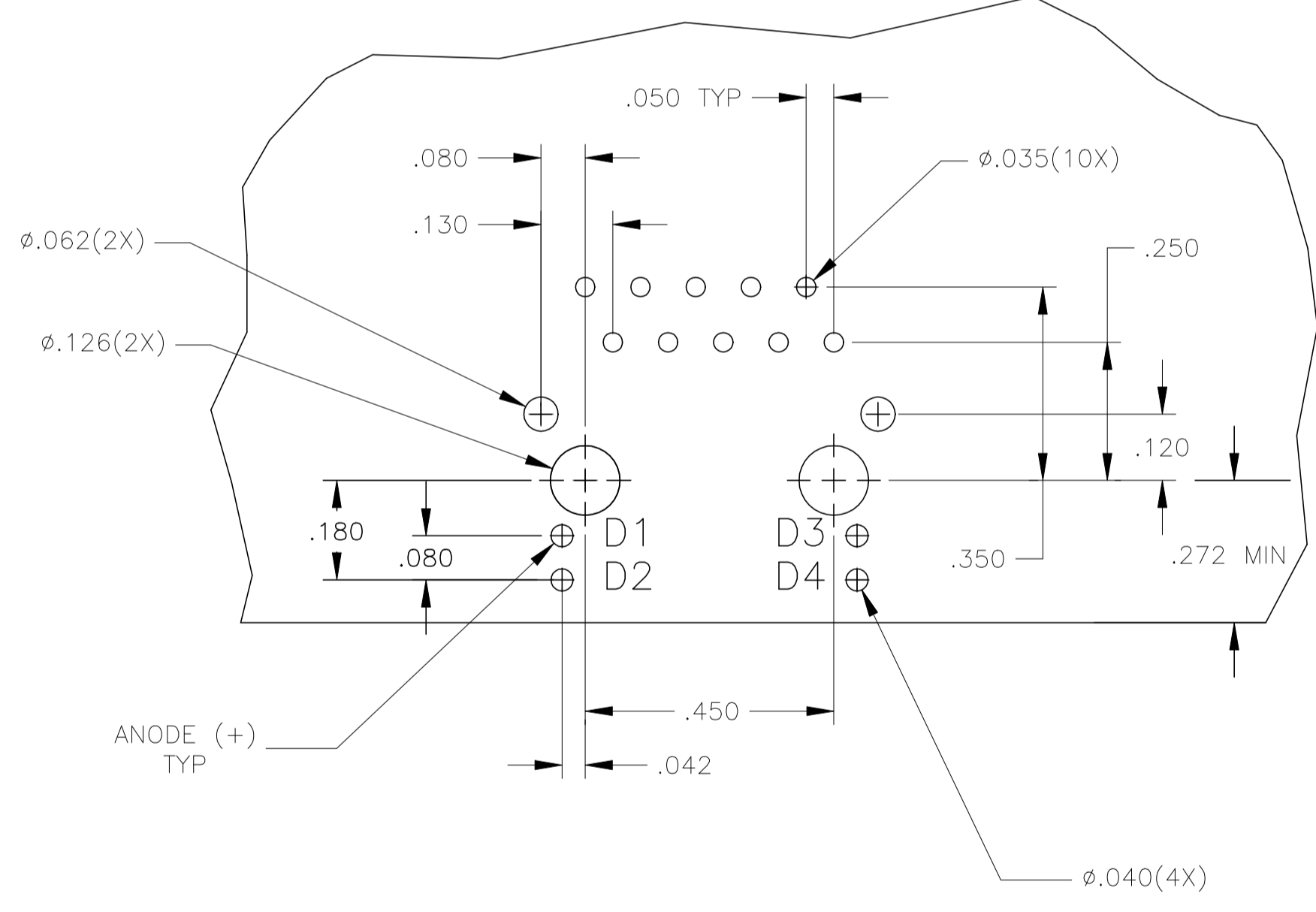
- MATERIALS:**
- HOUSING - THERMOPLASTIC PET POLYESTER FLAMMABILITY RATING UL 94V-0.
  - SHIELD - .010" THICK, C26800 BRASS PREPLATED WITH 30μINCH MIN SEMI-BRIGHT NICKEL, SOLDER TABS POST DIPPED WITH 100μINCH MIN SAC SOLDER.
  - MOD JACK CONTACTS - 0.0157" x 0.018" PHOSPHOR BRONZE, 50μINCH MIN OVERALL NICKEL UNDERPLATE, WITH SELECT 50μINCH MIN HARD GOLD FINISH PLATE. SOLDER TAILS WITH 100μINCH MIN MATTE TIN AND/OR SAC SOLDER DIP.
  - LIGHT EMITTING DIODE(LED) - DIFFUSED EPOXY LENS, .020" x .020" CARBON STEEL WIREFRAME LEADS PRE-PLATED WITH 80μINCH SILVER OVER 40μINCH NICKEL UNDERPLATE OVER 40μINCH COPPER UNDERPLATE, POST-PLATED WITH 100μINCH MIN MATTE TIN AND/OR SAC SOLDER DIP OR PURE TIN SOLDER DIP.
- RJ45 JACK CAVITY CONFORMS TO FCC RULES AND REGULATIONS PART 68, SUB PART F.**
- MAGNETICS**
- APPLICATION: 10/100/1000 BASE-T
  - IMPEDANCE: 100 OHMS
  - TURNS RATIO (CHIP-CABLE): 1:1 ALL FOUR PAIRS
  - OPEN CIRCUIT INDUCTANCE (OCL): 350uH MIN @100kHz, 0.1VRMS, 8mADC BIAS FROM 0°C TO 70°C, ALL FOUR PAIRS
  - ALL FOUR PAIRS BI-DIRECTIONAL
  - PERFORMANCE @ 25°C:
- INSERTION LOSS (IL): 1.1dB MAX FROM 0.5MHZ TO 100MHZ  
 RETURN LOSS (RL): 18dB MIN FROM 0.5MHZ TO 40MHZ  
 12-20LOG(f/80)dB MIN FROM 40.1MHZ TO 100MHZ  
 CROSSTALK ATTENUATION: 35dB MIN FROM 0.5MHZ TO 40MHZ  
 33-20xLOG(f/50)dB MIN FROM 40.1MHZ TO 100MHZ  
 COMMON MODE REJECTION RATIO (CMRR): 30dB MIN FROM 0.5MHZ TO 100MHZ  
 -ISOLATION VOLTAGE: 2250VDC (MAX) FOR 60 SECONDS WITH A RISE TIME OF 500V/SEC.
4. OPERATING TEMPERATURE: FROM 0°C TO +70°C.



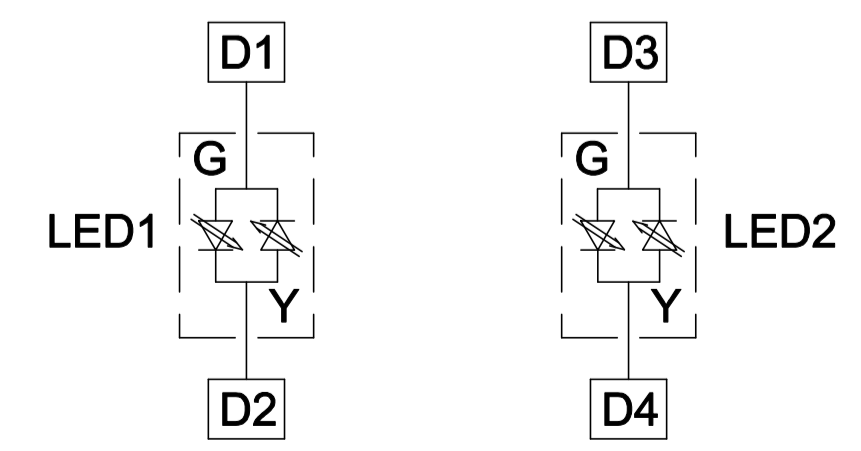
**7G05P1 SERIES MAGNETIC CIRCUIT**



**C1=1000 pF, 2kV CAPACITOR**  
**R1-R4 = 75 OHMS, 1/16 W RESISTORS**  
**C2-C5 = 0.1uF, 50V, X7R CAPACITORS**



**Suggested PCB Layout (Component Side)**



**LED CONFIGURATION FOR 6605833-6 ONLY**

- THE 250 OHM LED RESISTORS ARE OPTIONAL, PLEASE SEE CHART FOR PRESENCE OR ABSENCE OF LED RESISTORS. IF THE LED WITHOUT 250 OHM RESISTORS, LED IS DRIVEN WITH CONSTANT CURRENT AT APPROX 20mA.**
- LED COLOR: DOMINANT WAVELENGTH (λD): GREEN 568 nm TYP. @ IF=20mA  
 FORWARD VOLTAGE (VF): GREEN 2.2V TYP. @ IF=20mA  
 DOMINANT WAVELENGTH (λD): YELLOW 588 nm TYP. @ IF=20mA  
 FORWARD VOLTAGE (VF): YELLOW 2.1V TYP. @ IF=20mA.
- IF THE LED WITH 250 OHM RESISTORS, LED IS DRIVEN WITH 5V VOLTAGE AND THE MAX OPERATING CURRENT IS 20mA.  
 LED COLOR : DOMINANT WAVELENGTH (λD): GREEN 568 nm TYP. @ VF=5V  
 FORWARD CURRENT (IF): GREEN 12 mA TYP. @ VF=5V
- THE MAGNETICS ARE SYMMETRIC AND SUPPORT AUTO-MDI/MDIX.**
- TRP CONNECTOR LOGO, PART NUMBER, DATE CODE, COUNTRY OF ORIGIN AND AGENCY APPROVAL MARKING IN APPROXIMATE LOCATION SHOWN.**

8. THESE PARTS ARE RECOMMENDED FOR WAVE SOLDERING PROCESS. PREHEAT TEMPERATURE IS 120°C TO 160°C, 120 SECONDS TO 180 SECONDS, PEAK WAVE SOLDERING TEMPERATURE IS 260°C MAX, 10 SECONDS MAX.

|              |                   |              |                   |             |
|--------------|-------------------|--------------|-------------------|-------------|
| GREEN        | YES               | GREEN        | YES               | 1-6605833-1 |
| GREEN/YELLOW | NO                | GREEN/YELLOW | NO                | 6605833-6   |
| LED1         | 250 OHMS RESISTOR | LED2         | 250 OHMS RESISTOR | PART NUMBER |

|  |       |                        |  |  |  |
|--|-------|------------------------|--|--|--|
| THIS DRAWING IS A CONTROLLED DOCUMENT. |       | DWN: L. VARELA - DOCK5 |  | 04MAR2005                              |  |
| DIMENSIONS: INCHES                     |       | CHK: D. FAROLE         |  | 04MAR2005                              |  |
| TOLERANCES UNLESS OTHERWISE SPECIFIED: |       | APVD: D. FAROLE        |  | 04MAR2005                              |  |
| 0 PLC                                  | ±     | MODEL NAME             |  | DESC: 1X1 7G05P1 GIGABIT TAB UP W/ LED |  |
| 1 PLC                                  | ±     | MAGJACK SINGLE         |  | SIZE: A1                               |  |
| 2 PLC                                  | ±.010 | NON-POE                |  | CAGE CODE: C=6605833                   |  |
| 3 PLC                                  | ±.005 | CUSTOMER DRAWING       |  | DRAWING NO: 6605833                    |  |
| 4 PLC                                  | ±     | SCALE: NTS             |  | SHEET: 1 OF 1                          |  |
| ANGLES                                 | ±     | REV: E                 |  |  |  |

## X-ON Electronics

Largest Supplier of Electrical and Electronic Components

*Click to view similar products for [Bel Fuse](#) manufacturer:*

Other Similar products are found below :

[P2404DB](#) [FC100V20A-G](#) [5SF 200-R](#) [606DUGP](#) [M24308/1-12F](#) [M24308/2-336Z](#) [M24308/2-343Z](#) [M24308/24-5F](#) [70-1080](#) [73-6311-10](#) [73-6670-7](#) [PL1WC-026](#) [PL375C-201](#) [PL75-45BR](#) [PS-15206](#) [PSAC-17312](#) [PSK3616-7](#) [QM48T40033-PDB0](#) [127-0000-905](#) [127-0692-001](#) [127-2701-602](#) [ADBJ20-E1-BJ79](#) [DAMA15S](#) [ADPL75-E1-UBJ20](#) [ADRMF70](#) [ADT-2540-7M-SMM-02](#) [DCB-3510-FF-SMA-02](#) [DCDM100CS](#) [DCDM-15S6E5-36.0K](#) [DCHM15SCBRPN-HT1](#) [RFI21-13](#) [RFI75-8-D3](#) [DDM50SA156](#) [DEME9S](#) [DEMM9SM](#) [DFC10U48D12](#) [140-0000-954](#) [141-3901-802](#) [142-0233-001](#) [AM2003-9](#) [142-9404-011](#) [142-0298-001](#) [14-5642](#) [146-0701-301](#) [MS24264R10T20PY](#) [MS24264R10T2PY-LC](#) [MS24264R10T5PY-LC](#) [MS24264R10T5SY-LC](#) [MS24264R14B15SN-LC](#) [MS24264R14T15SN](#)