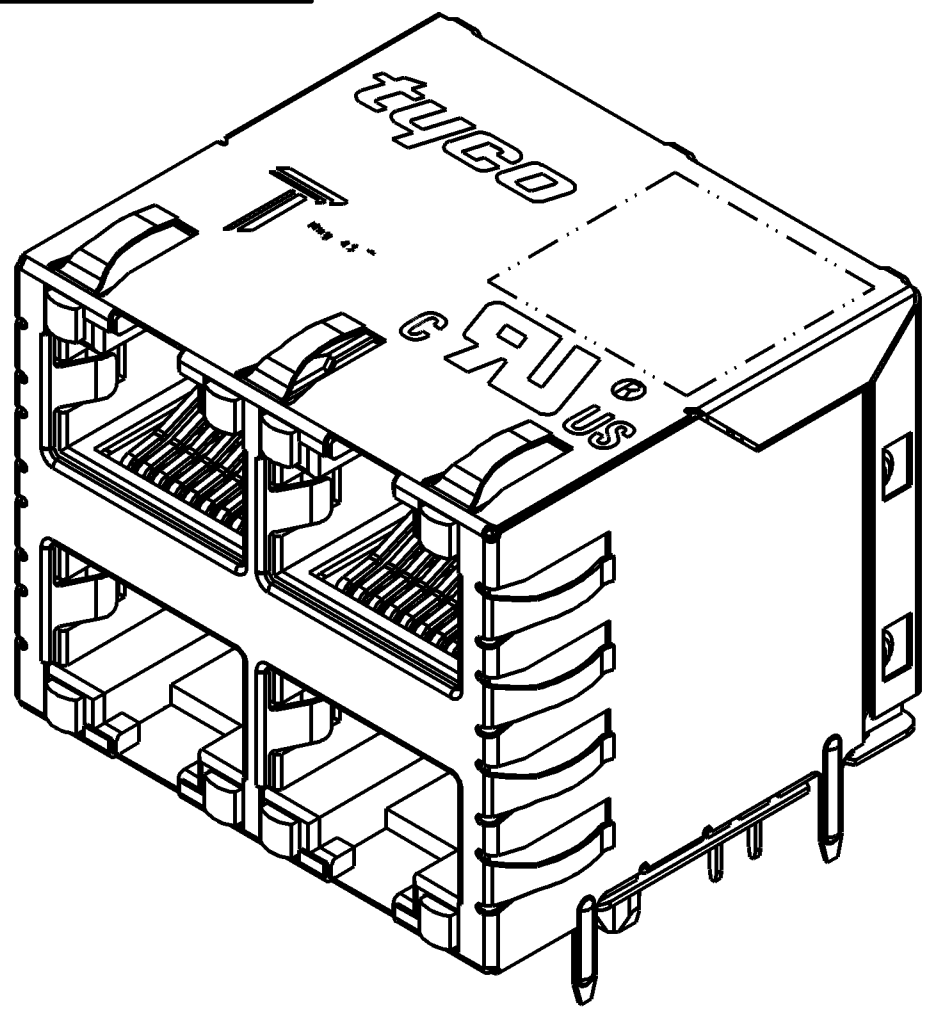
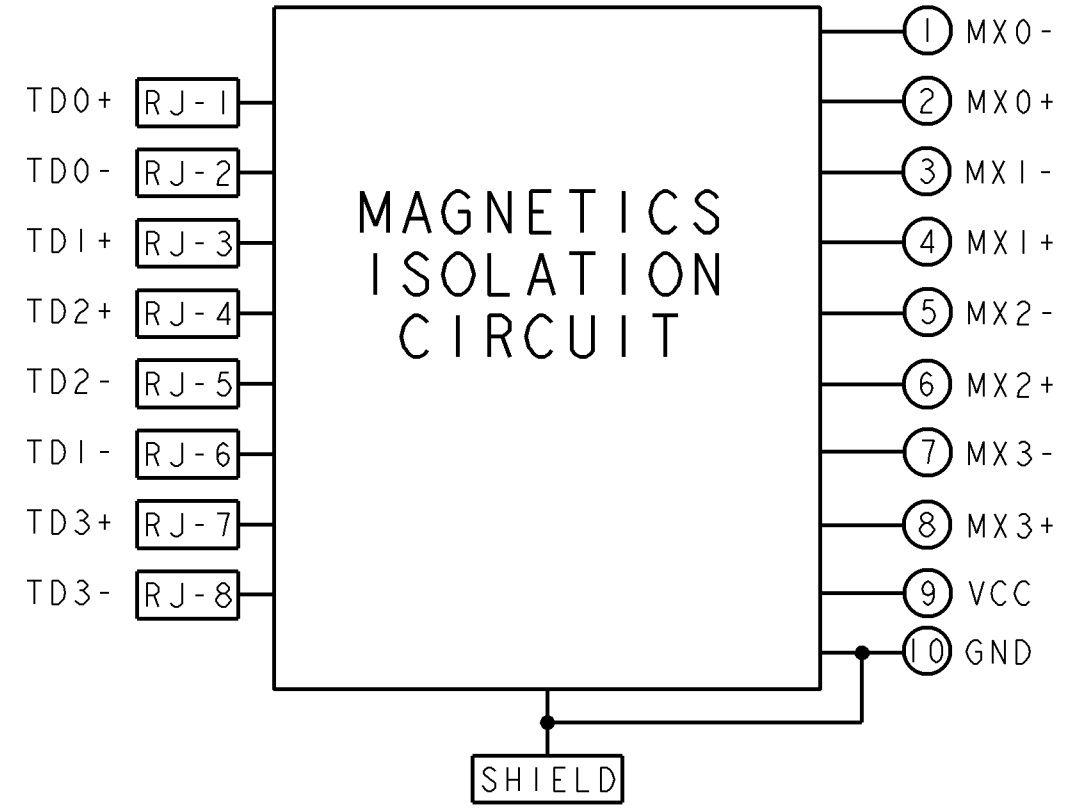


LOC	QTY	REV	DESCRIPTION	DATE	BY	APP
AA	00	A	NEW RELEASE	12.JUL.2006	KK	TX



S8G16 GIGABIT CIRCUIT $\Delta\Delta$
 TOP AND BOTTOM PORTS



1. MATERIALS:
 PLASTIC HOUSING: BLACK, THERMOPLASTIC
 FLAMMABILITY RATING UL 94V-0
 SHIELD: BRASS, PREPLATED WITH 0.76um MIN SEMI-BRIGHT NICKEL,
 POST DIPPED WITH 2.54um MIN SAC SOLDER ON SOLDER TAILS,
 CONTACTS: PHOSPHOR BRONZE, 1.27um MIN OVERALL NICKEL
 UNDERPLATE WITH SELECT 1.27um MIN GOLD AT MATING INTERFACE
 AND 2.54um MIN MATTE TIN ON SOLDER TAILS.
 LED: DIFFUSED EPOXY LENS, CARBON STEEL LEAD FRAME TAILS OF LED
 ARE PREPLATED WITH 2.03um MIN SILVER OVER 1.02um MIN NICKEL
 UNDERPLATE OVER 1.02um MIN COPPER UNDERPLATE. POST-PLATED WITH
 2.54um MIN MATTE TIN AND/OR SAC SOLDER DIP OR PURE TIN SOLDER DIP

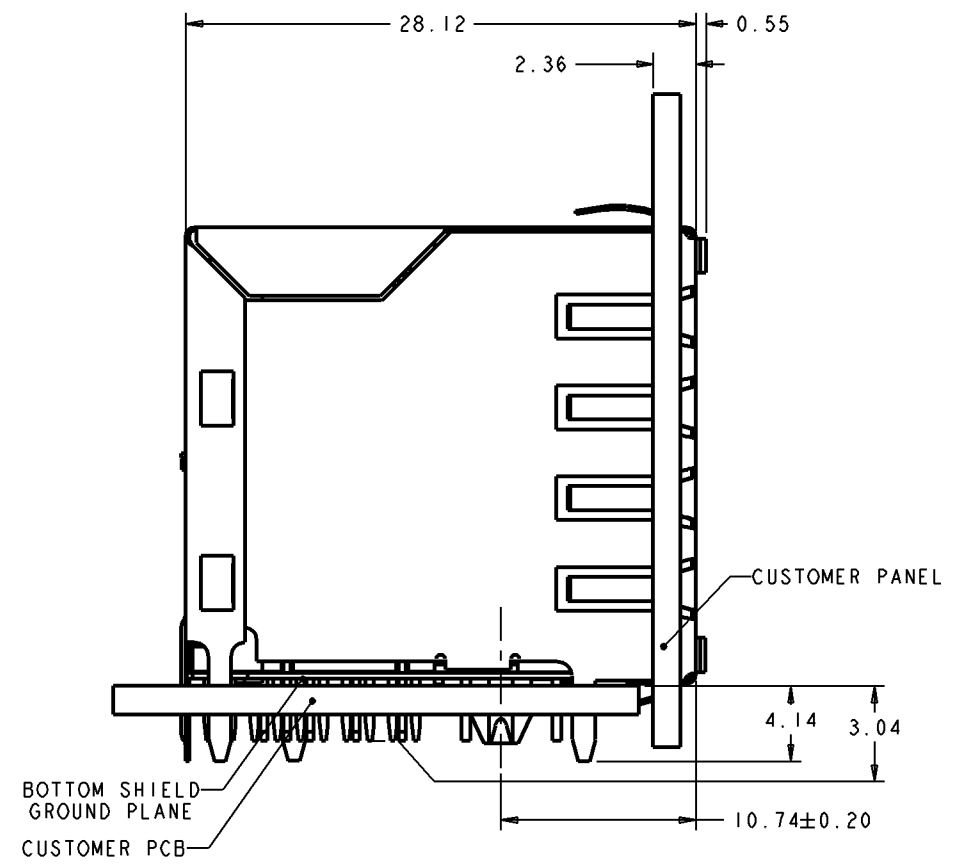
- Δ MAGNETICS
 APPLICATION: 10/100/1000 BASE-T
 IMPEDANCE: 100 OHMS
 TURNS RATIO (CHIP:CABLE): 1:1 ALL FOUR PAIRS
 OPEN CIRCUIT INDUCTANCE (OCL): 350uH MIN @100kHz, 0.1VRMS,
 8mADC BIAS FROM 0°C TO 70°C, ALL FOUR PAIRS
 ALL FOUR PAIRS BI-DIRECTIONAL
 PERFORMANCE @ 25°C:
 INSERTION LOSS (IL): 1.1dB MAX FROM 0.5MHz TO 100MHz
 RETURN LOSS (RL): 18dB MIN FROM 0.5MHz TO 40MHz
 12-20LOG(f/80)dB MIN FROM 40.1MHz TO 100MHz
 CROSSTALK ATTENUATION: 35dB MIN FROM 0.5MHz TO 40MHz
 33-20LOG(f/50)dB MIN FROM 40.1MHz TO 100MHz
 COMMON MODE REJECTION RATIO (CMRR): 30dB MIN FROM 0.5MHz TO 100MHz
 ISOLATION VOLTAGE: COMPLIES WITH IEEE802.3 2002, PARA 40.6.1.1, ITEM b.

- Δ PART NUMBER, DATE CODE AND COUNTRY OF ORIGIN
 LOCATED IN THE APPROXIMATE AREA SHOWN
 Δ AGENCY APPROVAL LOGO, TYCO LOGO AND TRANSPower LOGO
 TO BE LOCATED IN THE APPROXIMATE AREA SHOWN.
 Δ INDICATED MAGNETIC CONNECTIONS ARE SYMMETRIC AND SUPPORT AUTO-MDIX.
 6. RJ45 CAVITY CONFORMS TO FCC RULES AND REGULATION PART 68 SUBPART F
 7. LEDs ARE DRIVEN WITH CONSTANT CURRENT AT APPROX 20mA
 LED COLOR: DOMINANT WAVELENGTH (ID): GREEN 568 nm TYP. @ IF=20mA
 FORWARD VOLTAGE (VF): GREEN 2.2V TYP. @ IF=20mA
 DOMINANT WAVELENGTH (ID): YELLOW 588 nm TYP. @ IF=20mA
 FORWARD VOLTAGE (VF): YELLOW 2.1V TYP. @ IF=20mA
 Δ DATUM AND BASIC DIMENSION ESTABLISHED BY CUSTOMER.
 Δ BASIC DIMENSION ESTABLISHED BY CUSTOMER, BUT NOT TO BE GREATER THAN 5.08.
 10. OPERATING TEMPERATURE: 0°C TO +70°C.

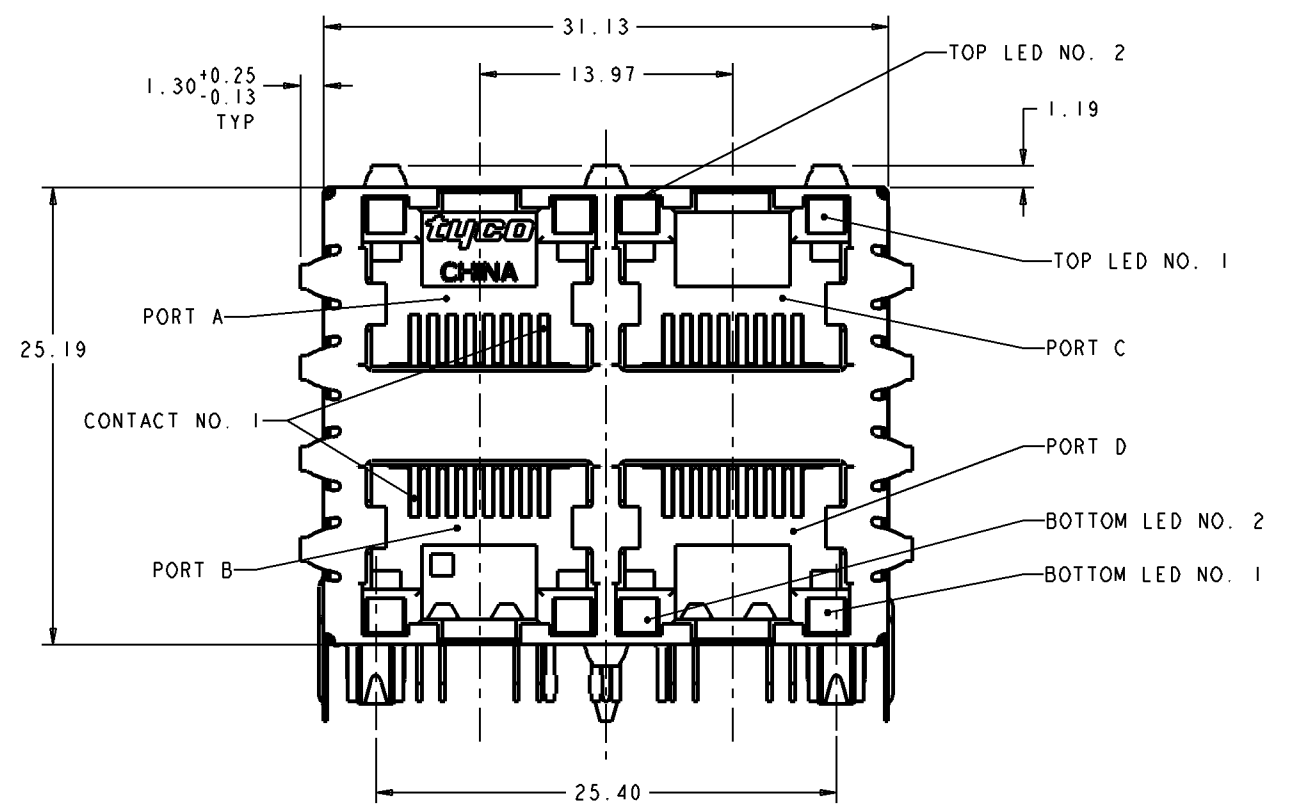
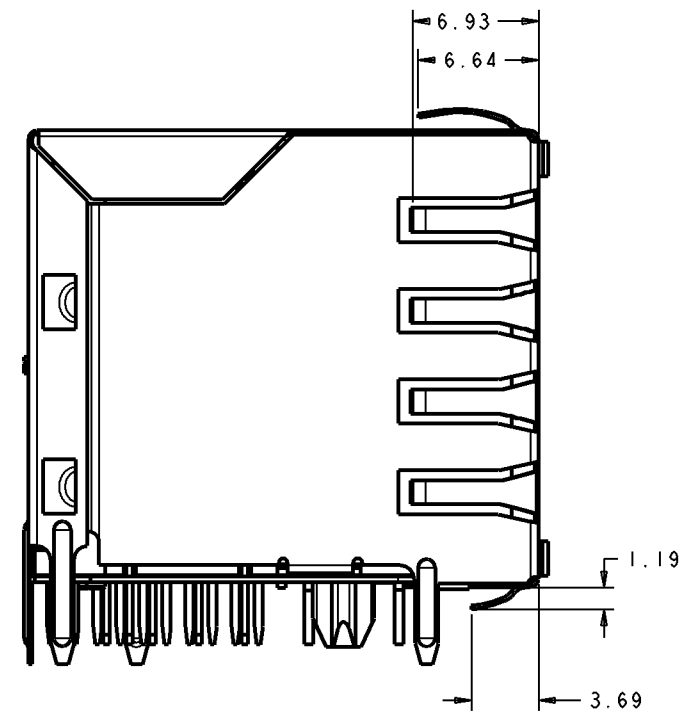
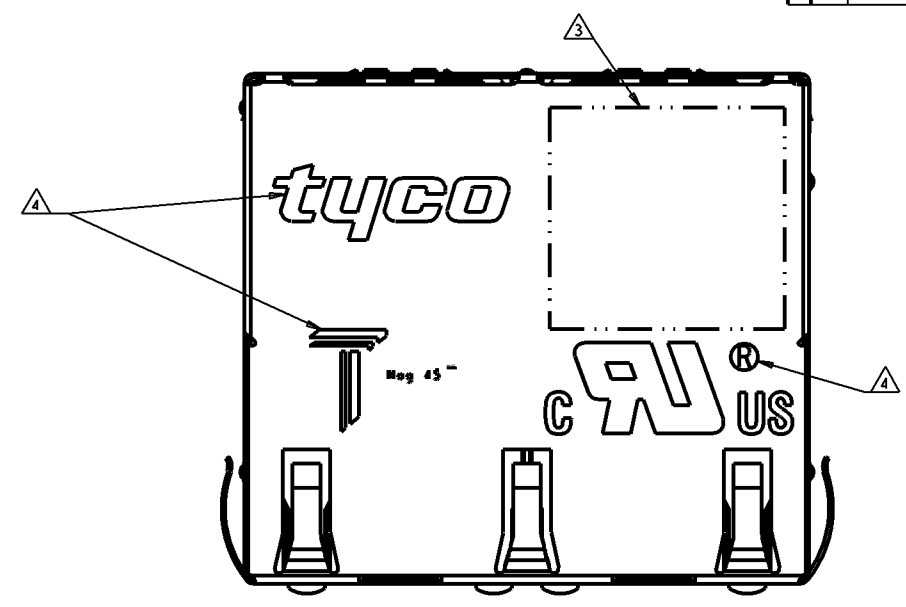
GRN/YEL	GRN/YEL	GRN/YEL	GRN/YEL	1840156-4
GREEN	YELLOW	GREEN	YELLOW	1840156-3
YELLOW	GREEN	GREEN	YELLOW	1840156-2
GREEN	GREEN	GREEN	GREEN	1840156-1
BOTTOM LED NO. 2	BOTTOM LED NO. 1	TOP LED NO. 2	TOP LED NO. 1	PART NUMBER

DIMENSIONS: mm		TOLERANCES UNLESS OTHERWISE SPECIFIED		DATE: 12 JUL 2006	
0.150	±0.25	0.150	±0.25	DESIGNED BY: KENE YOU	12 JUL 2006
0.150	±0.25	0.150	±0.25	APP'D BY: ERIC GE	12 JUL 2006
0.150	±0.25	0.150	±0.25	NAME: TERRY KLING	12 JUL 2006
0.150	±0.25	0.150	±0.25	PROJECT SPEC: 2X2 MAG45(TM), GIGABIT S8G16 CIRCUIT	
0.150	±0.25	0.150	±0.25	108-2100 W/ LEDS, WAVE PANEL, GROUND SHIELD	
0.150	±0.25	0.150	±0.25	APPLICATION SPEC: CONTACT PIN 2	
MATERIAL: SEE NOTES	FINISH: SEE NOTES	REV: 1	SCALE: 4:1	SIZE: CAGE CODE: DRAWING NO: 1840156	RESTRICTED TO: A
CUSTOMER DRAWING				SHEET 1 OF 4	

REV. NO.		REV. DATE	DESCRIPTION	DATE	BY	APP'D
AA	00		SEE SHEET 1			

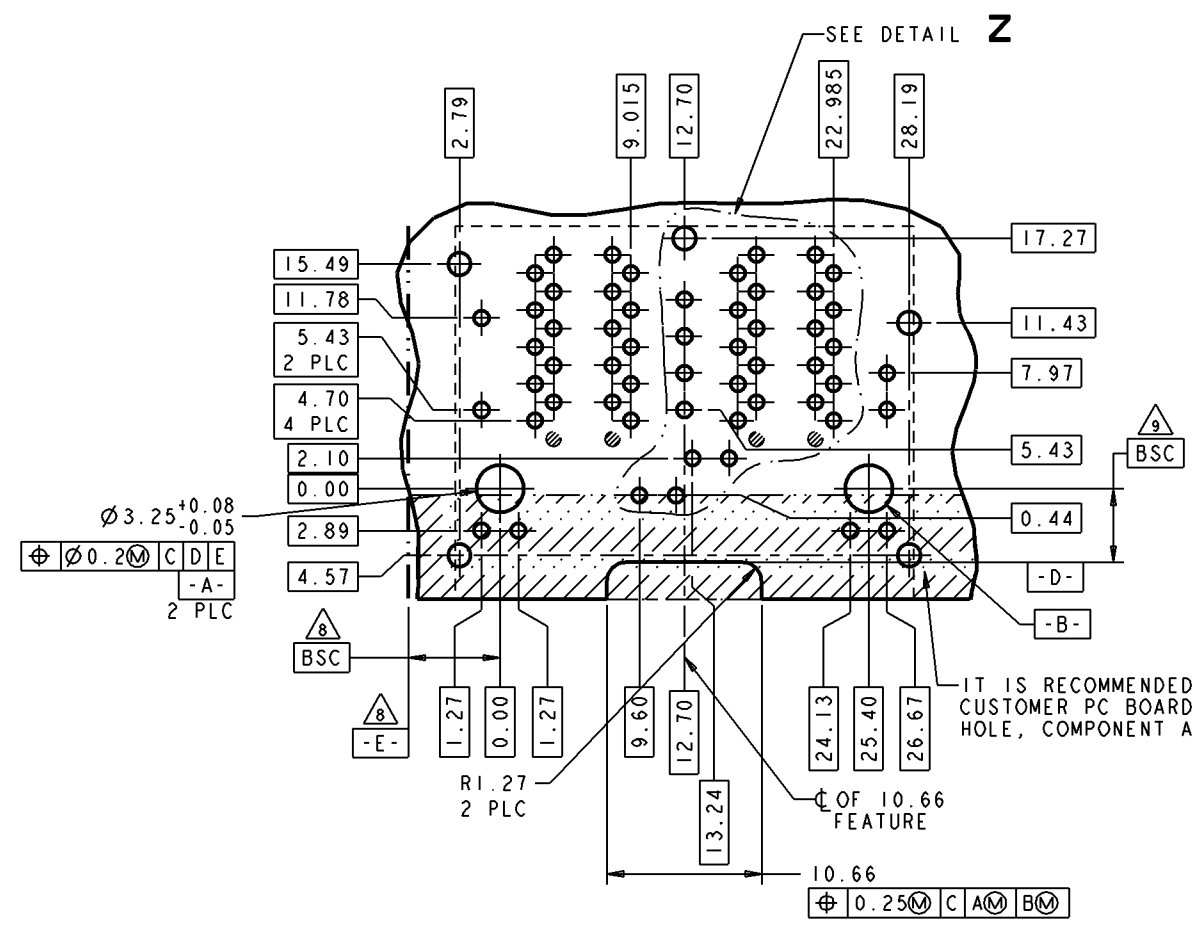


SIDE VIEW SHOWN WITH CUSTOMER PANEL AND PCB FOR LOCATION

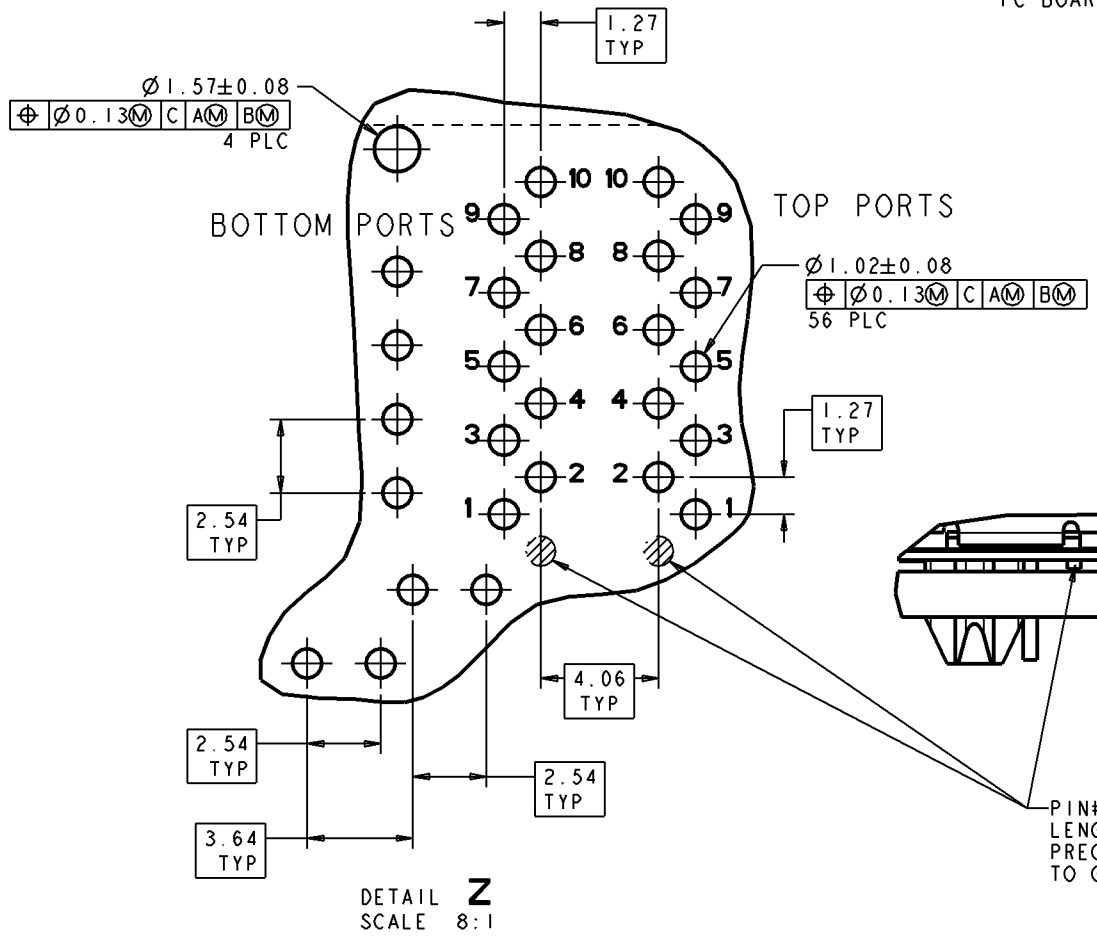


DIMENSIONS: mm		TOLERANCES UNLESS OTHERWISE SPECIFIED		DATE: 12 JUL 2006		DRAWN: KENE YOU		Tyco Electronics Chongqing, GD, China	
0 P.L.C.	±0.25	1 P.L.C.	±0.25	DATE: 12 JUL 2006	NAME: TERRY KLING	DATE: 12 JUL 2006	NAME: TERRY KLING	PROJECT SPEC	2X2 MAG45(TM), GIGABIT S8G16 CIRCUIT W/ LEDS, WAVE PANEL, GROUND SHIELD CONTACT PIN 2
2 P.L.C.	±0.25	3 P.L.C.	±0.25	APPLICATION SPEC	SIZE	CAGE CODE	DRAWING NO	RESTRICTED TO	
4 P.L.C.	±0.25	5 P.L.C.	±0.25		A100779	C-1840156			
MATERIAL	SEE NOTES	FINISH	SEE NOTES	REV: 1841	CUSTOMER DRAWING	SCALE	5:1	SHEET	2 OF 4

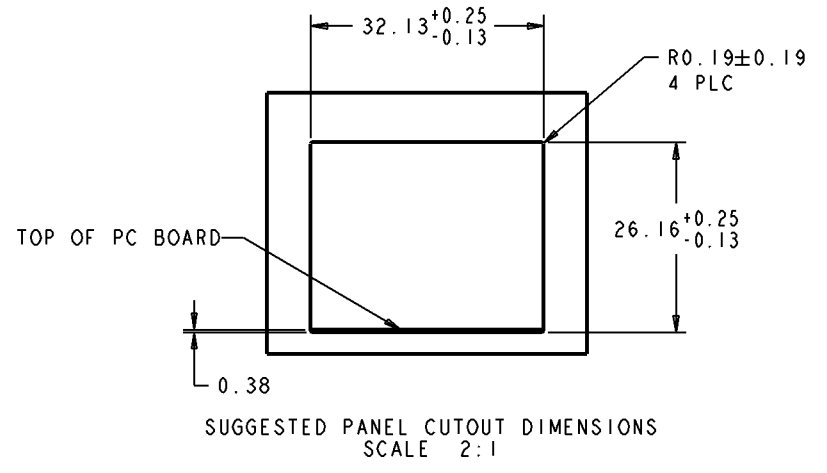
LOC	DIST	REV	DATE	BY	APP
AA	00				
REVISIONS					



PC BOARD LAYOUT VIEWD FROM COMPONENT SIDE



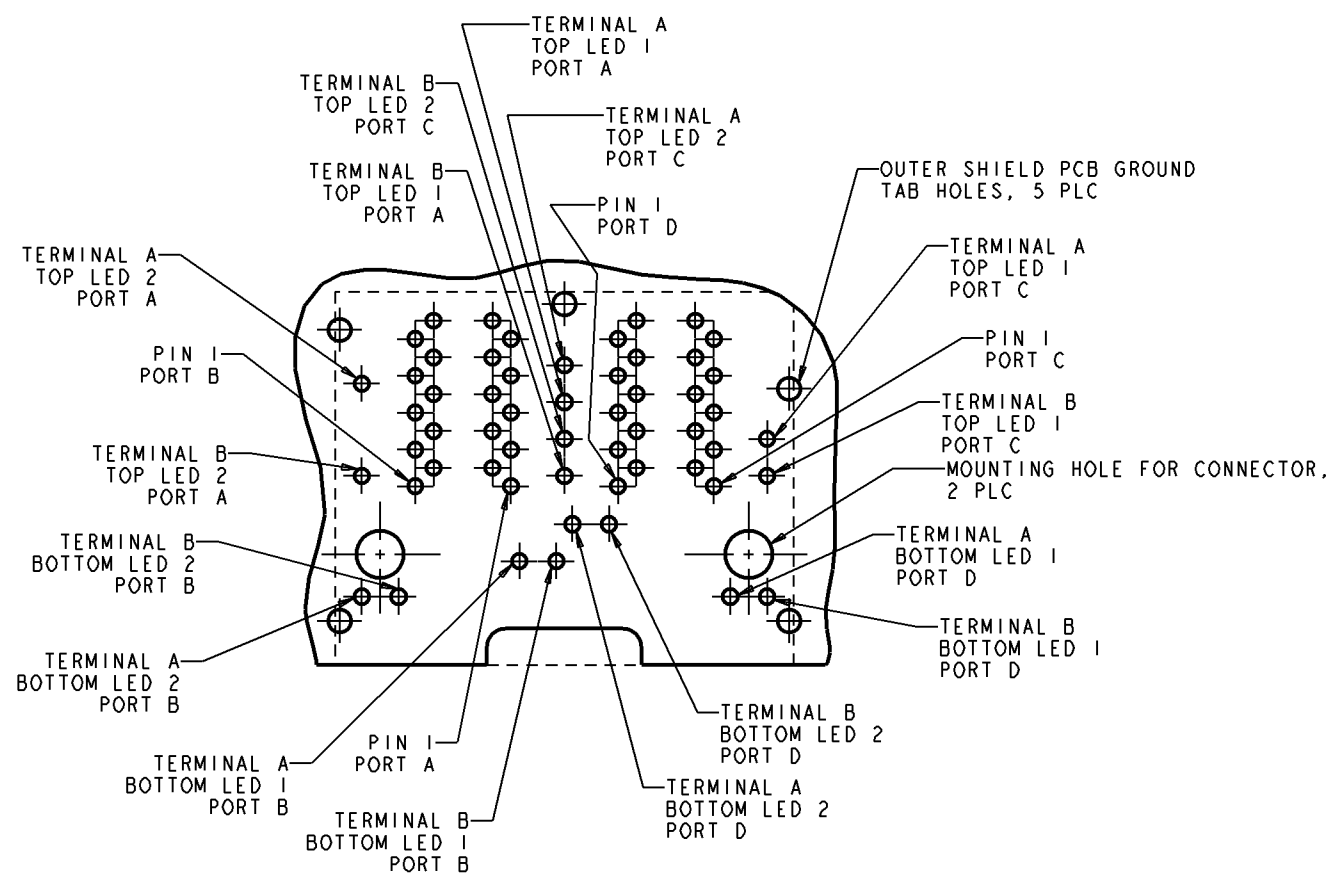
DETAIL Z SCALE 8:1



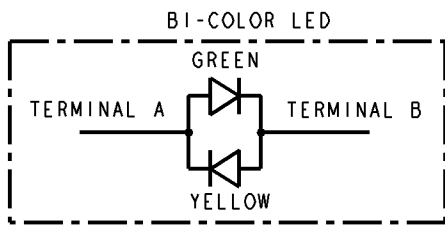
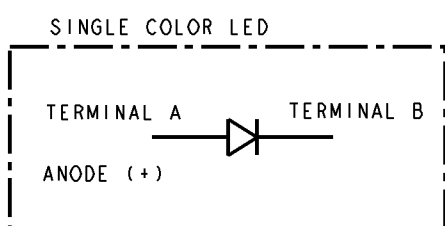
SUGGESTED PANEL CUTOUT DIMENSIONS SCALE 2:1

DIMS: mm		TOLERANCES UNLESS OTHERWISE SPECIFIED		DATE: 12JUL2006		DRAWN: KENE YOU		CHECKED: ERIC GE		APPROVED: TEDDY KLING		DATE: 12JUL2006		NAME: 2X2 MAG45(TM), GIGABIT S8G16 CIRCUIT W/ LEDS, WAVE PANEL, GROUND SHIELD CONTACT PIN 2	
MATERIAL: SEE NOTES		FINISH: SEE NOTES		REV: 00		CAGE CODE: A100779		DRAWING NO: C-1840156		RESTRICTED TO: -		SCALE: 4:1		SHEET 3 OF 4 REV A	
CUSTOMER DRAWING															

LOC	DIST	REVISIONS			
AA	00	REV	DESCRIPTION	DATE	BY
		-	SEE SHEET 1	-	-



LED HOLE DESIGNATIONS VIEWED FROM COMPONENT SIDE
 SCALE 4:1



DIMENSIONS:		TOLERANCES UNLESS OTHERWISE SPECIFIED		DATE: 12 JUL 2006		DRAWN: KENE YOU		Tyco Electronics	
mm		0.130		12 JUL 2006		CHECKED: ERIC GE		Chongqing, GD, China	
0.130		0.130		12 JUL 2006		APPROVED: TEDDY KLING		PROJECT SPEC	
0.130		0.130		12 JUL 2006		APPLICATION SPEC		2X2 MAG45(TM), GIGABIT S8G16 CIRCUIT W/ LEDS, WAVE PANEL, GROUND SHIELD CONTACT PIN 2	
MATERIAL: SEE NOTES		FINISH: SEE NOTES		REV: 1601		SIZE: A		CAGE CODE: 1840156	
				CUSTOMER DRAWING		SCALE: 4:1		SHEET: 4 OF 4	

X-ON Electronics

Largest Supplier of Electrical and Electronic Components

Click to view similar products for [Modular Connectors / Ethernet Connectors](#) category:

Click to view products by [Bel Fuse](#) manufacturer:

Other Similar products are found below :

[8949-H88/06BLKA/SN](#) [74441-0010/BKN](#) [MP1010RX-1000](#) [MP44RX-1000](#) [PHJ-4P4C-1-V-4](#) [PHP-6P6C-5](#) [GAX-3-66](#) [GAX-8-62](#) [GDCX-PA-66-50](#) [GDCX-PN-64](#) [GDCX-PN-66](#) [GDCX-PN-66-50](#) [GDLX-A-66](#) [GDLX-N-66](#) [GDLX-S-66](#) [GDLX-S-88K](#) [GDLX-SMT-S-88](#) [GDTX-S-88-50](#) [GDX-PA-1010](#) [GLX-N-1010M-BLK](#) [GLX-S-88M-BLK](#) [GMX-N-1010](#) [GMX-S-1010](#) [GMX-S-66](#) [GMX-SMT4-N-88](#) [GPX-2-64](#) [GSGX-N-2-88](#) [GSGX-N-4-88](#) [GSX-NS2-88-3.05](#) [GSX-NS2-88-3.05-50](#) [GSX-NS-88-3.05-50](#) [PT-108A-8C-UL](#) [PT-J951-8C](#) [PTS-J531-8CS-50UL](#) [1-1775629-2](#) [A-2014-0-4](#) [GWLX-S-88-GR](#) [GWLX-S9-88-YG](#) [DC-1021-8-WH-6](#) [1300530003](#) [1324640-4](#) [RJ11FTVC2G](#) [RJ11FTVC2N](#) [RJFTVX2SA1G](#) [132764-001](#) [1413235](#) [MP88X-1000](#) [MPS88RX-5000](#) [E5288-S000K3-L](#) [E5908-15A242-L](#)