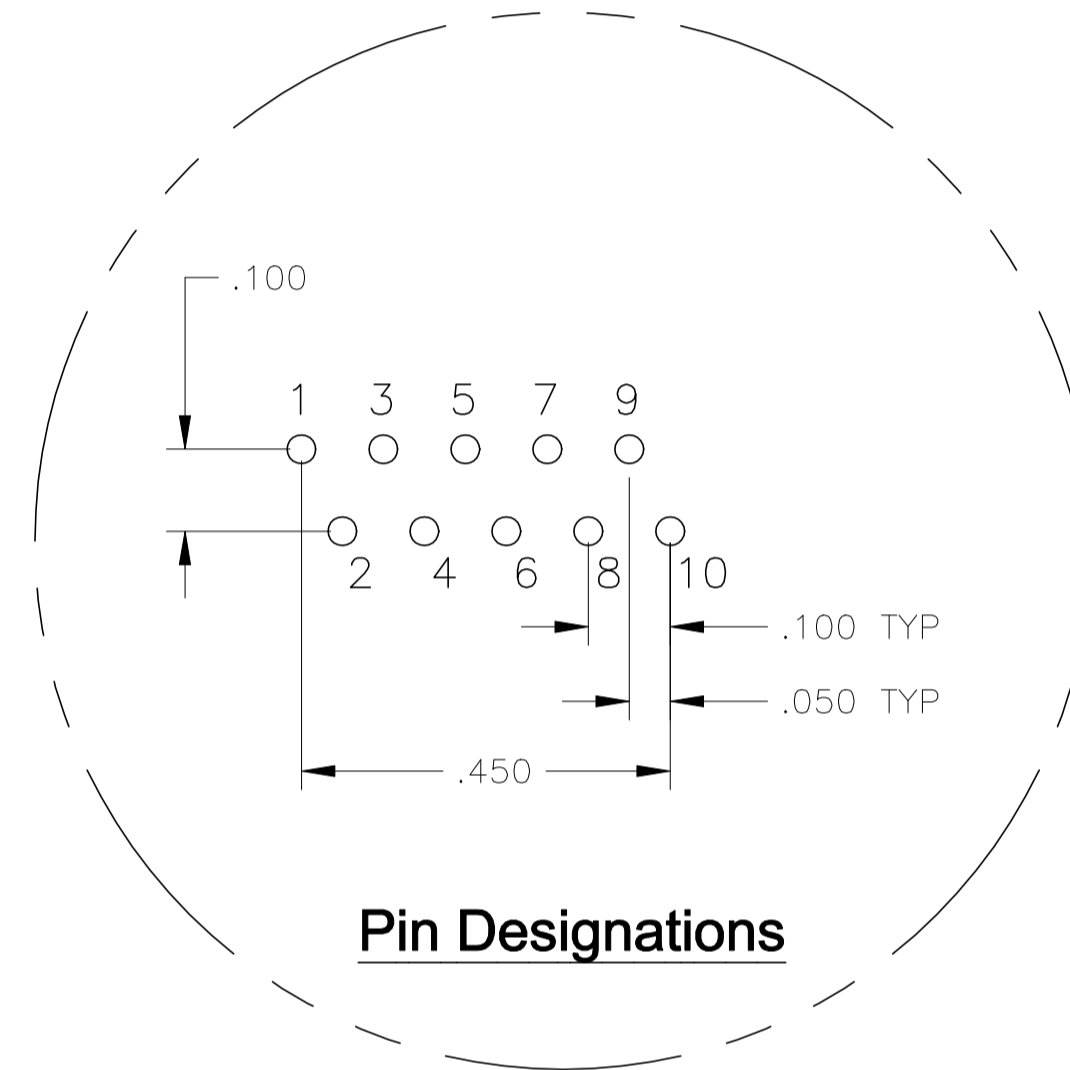
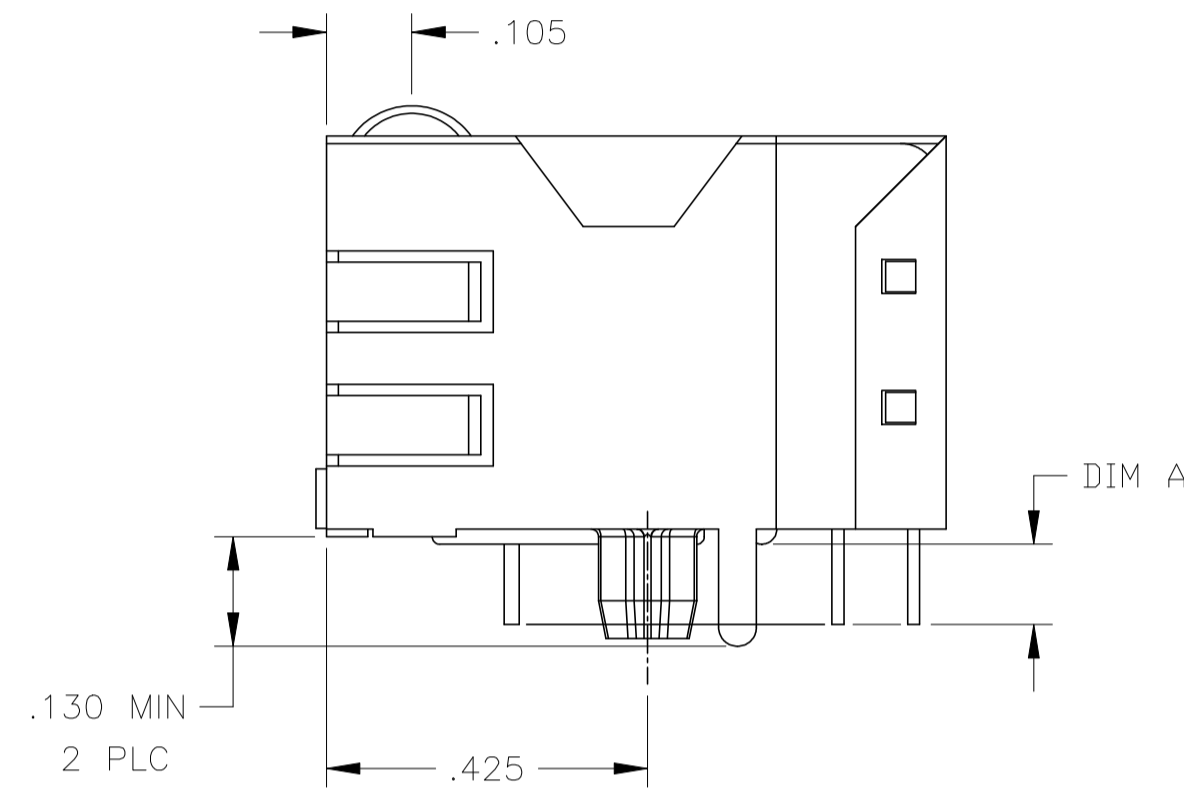
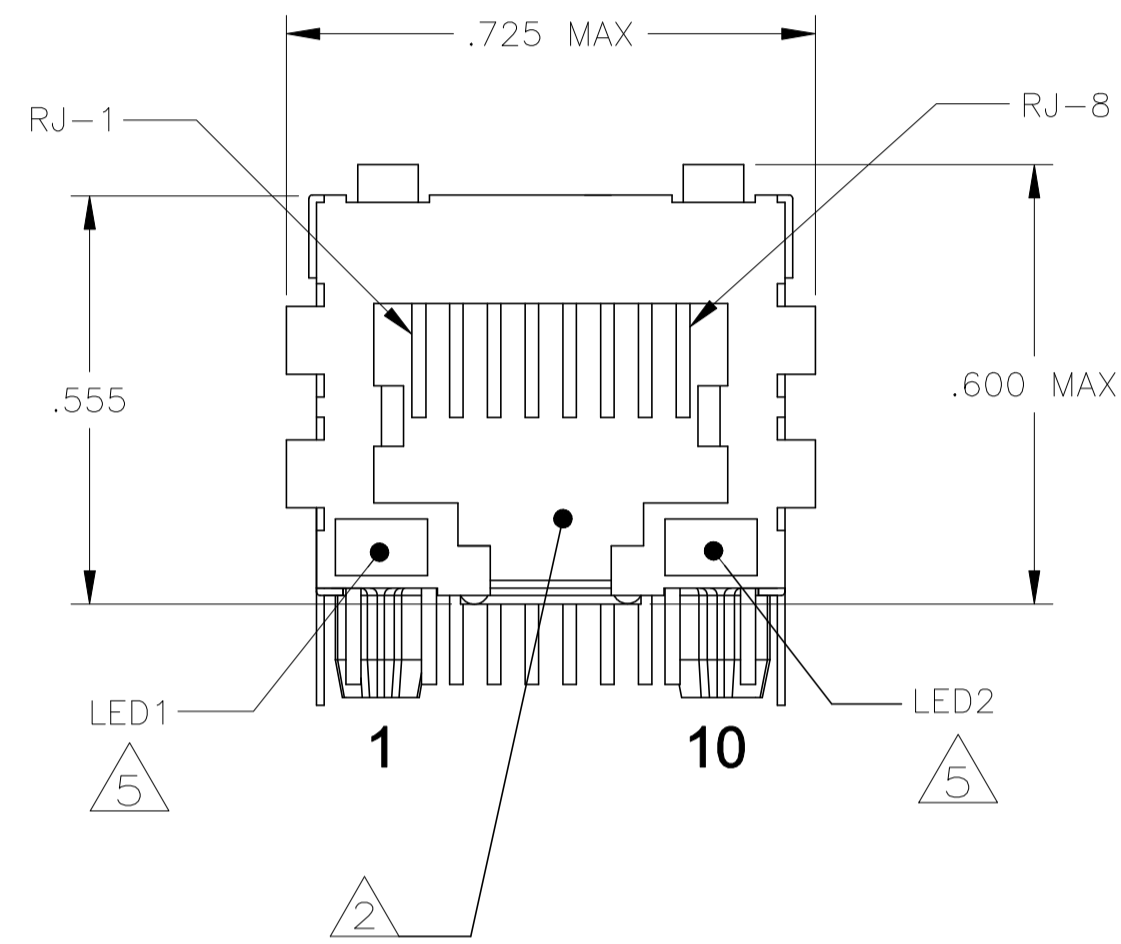
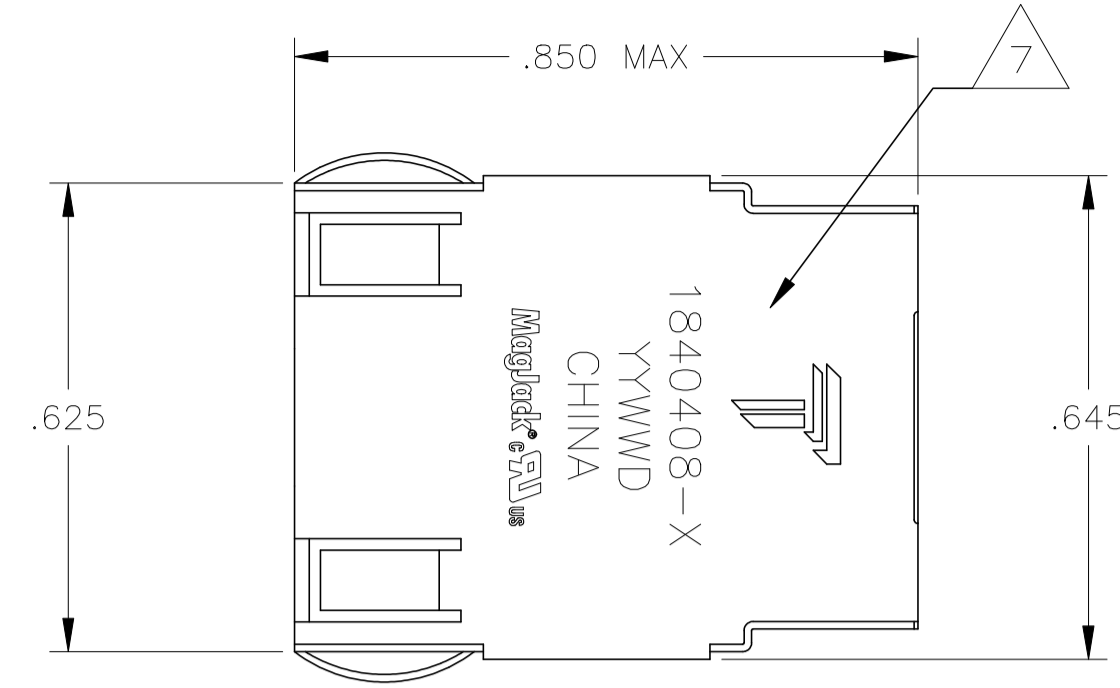


THIS DRAWING AND THE SUBJECT MATTER SHOWN THEREON ARE CONFIDENTIAL AND THE PROPERTY OF BEL/STEWART/TRP CONNECTOR AND SHALL NOT BE REPRODUCED, COPIED, OR USED IN ANY MANNER WITHOUT THE WRITTEN CONSENT OF TRP CONNECTOR.

PRODUCT MAY BE PROTECTED BY ONE OR MORE OF THE FOLLOWING US PATENTS:  
 5736910 5939955 6425781 6428361 6554638 6840817 7123117  
 7429195 7717749 7808751 6217391 6149050 7924130

| REVISIONS |     |                                |           |     |      |
|-----------|-----|--------------------------------|-----------|-----|------|
| P         | LYR | DESCRIPTION                    | DATE      | DWN | APVD |
| D         |     | EC-1411035 COMPANY LOGO CHANGE | 12JAN2015 | TL  | KZ   |

**MECHANICAL:**



**MATERIALS:**  
 HOUSING - THERMOPLASTIC PET POLYESTER FLAMMABILITY RATING UL 94V-0.  
 SHIELD - .010" THICK, C26800 BRASS PREPLATED WITH 30μINCH SEMI-BRIGHT NICKEL. SOLDER TABS POST DIPPED WITH 100μINCH MIN SAC SOLDER.  
 MOD JACK CONTACTS - 0.0157 X 0.018" PHOSPHOR BRONZE, 50μINCH MIN OVERALL NICKEL UNDERPLATE, WITH SELECT 50μINCH MIN HARD GOLD FINISH PLATE SOLDER TAILS WITH 100μINCH MIN MATTE TIN AND/OR SAC SOLDER DIP.  
 LIGHT EMITTING DIODE(LED) - DIFFUSED EPOXY LENS, .020" x .020" CARBON STEEL WIREFRAME LEADS PRE-PLATED WITH 80μINCH SILVER OVER 40μINCH NICKEL UNDERPLATE OVER 40μINCH COPPER UNDERPLATE. POST-PLATED WITH 100μINCH MIN MATTE TIN AND/OR SAC SOLDER DIP OR PURE TIN SOLDER DIP.

**RJ45 JACK CAVITY CONFORMS TO FCC RULES AND REGULATIONS PART 68, SUB PART F.**

**MAGNETICS**  
 -APPLICATION: 10/100/1000 BASE-T, EXTENDED TEMPERATURE  
 -IMPEDANCE: 100 OHMS  
 -TURNS RATIO (CHIP:CABLE): 1:1 ALL FOUR PAIRS  
 -OPEN CIRCUIT INDUCTANCE (OCL): 350μH MIN @100kHz, 0.1VRMS, 8mADC BIAS FROM -40°C TO +85°C, ALL FOUR PAIRS  
 -ALL FOUR PAIRS BI-DIRECTIONAL  
 -PERFORMANCE @ 25°C:  
 INSERTION LOSS (IL): 1.1dB MAX FROM 0.5MHz TO 100MHz  
 RETURN LOSS (RL): 18dB MIN FROM 0.5MHz TO 40MHz  
 12-20LOG(f/80)dB MIN FROM 40.1MHz TO 100MHz  
 CROSSTALK ATTENUATION: 35dB MIN FROM 0.5MHz TO 40MHz  
 33-20LOG(f/50)dB MIN FROM 40.1MHz TO 100MHz  
 COMMON MODE REJECTION RATIO (CMRR): 30dB MIN FROM 0.5MHz TO 100MHz  
 -ISOLATION VOLTAGE: COMPLIES WITH IEEE802.3 2002, PARA 40.6.1.1, ITEM a or b.

**OPERATING TEMPERATURE: FROM -40°C TO +85°C**

**LED IS DRIVEN WITH CONSTANT CURRENT AT APPROX 20mA**  
 LED COLOR: DOMINANT WAVELENGTH (λ D): GREEN 568 nm TYP. at IF=20mA  
 FORWARD VOLTAGE (VF): GREEN 2.2V TYP. at IF=20mA  
 DOMINANT WAVELENGTH (λ D): YELLOW 588 nm TYP. at IF=20mA  
 FORWARD VOLTAGE (VF): YELLOW 2.1V TYP. at IF=20mA

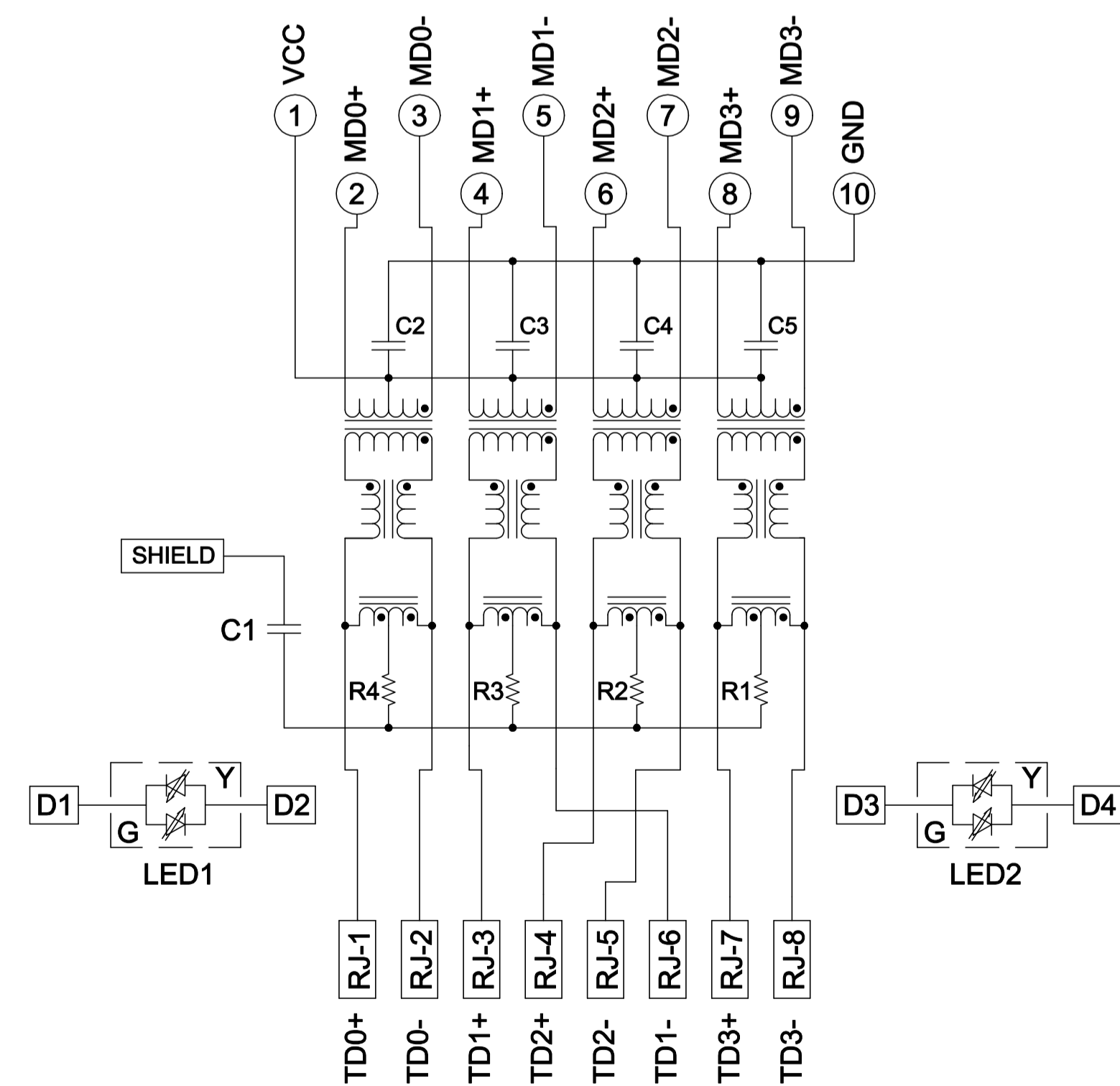
**THE MAGNETICS ARE SYMMETRIC, AND SUPPORT AUTO-MDI/MDIX.**

**TRP CONNECTOR LOGO,TE CONNECTIVITY PART NUMBER, DATE CODE, COUNTRY OF ORIGIN AND AGENCY APPROVAL MARKING IN APPROXIMATE LOCATION SHOWN.**

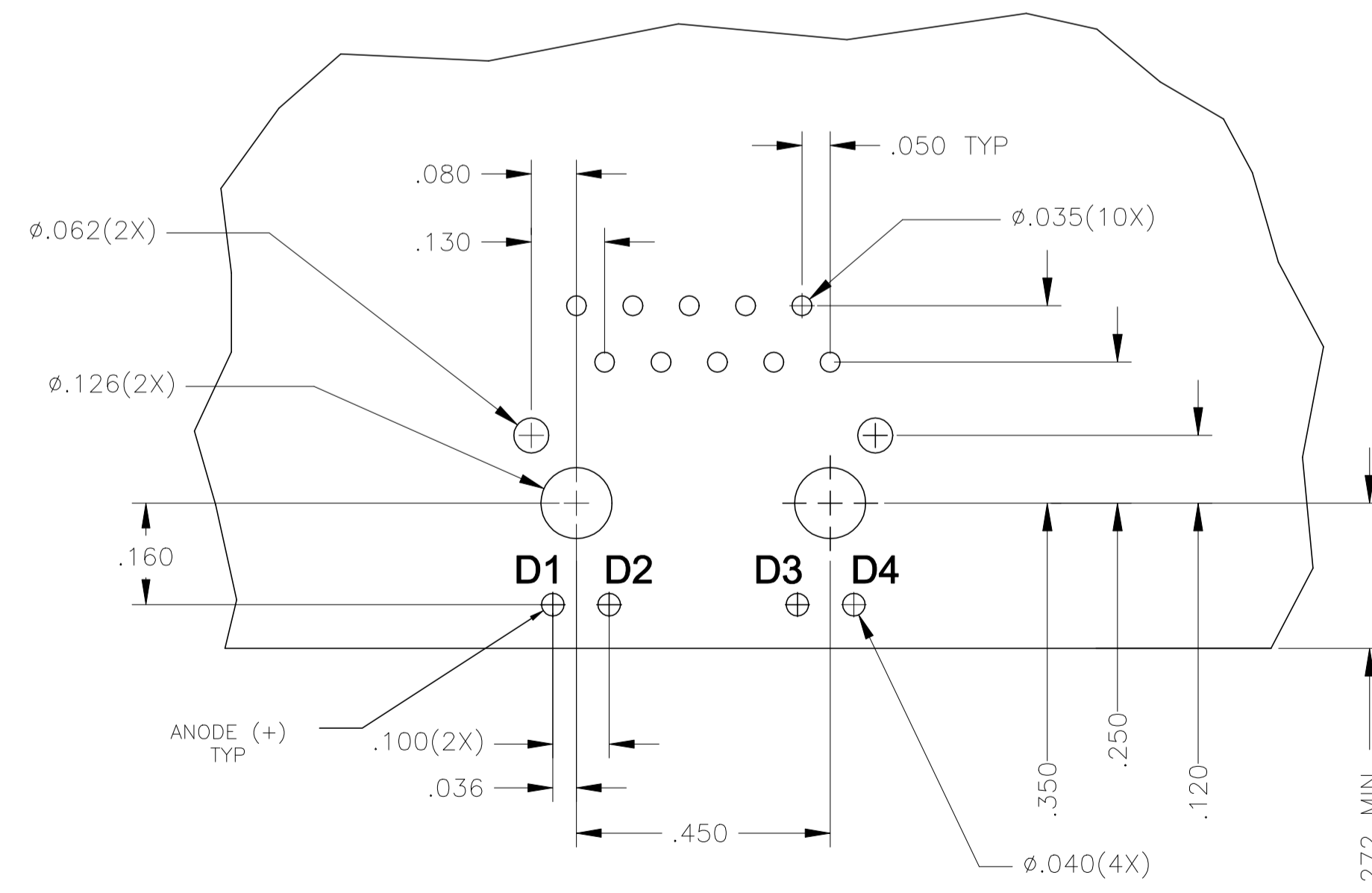
**THESE PARTS ARE RECOMMENDED FOR WAVE SOLDERING PROCESS,PEAK WAVE SOLDERING TEMPERATURE IS 265 C MAX,10 SEC MAX.**

**ELECTRICAL:**

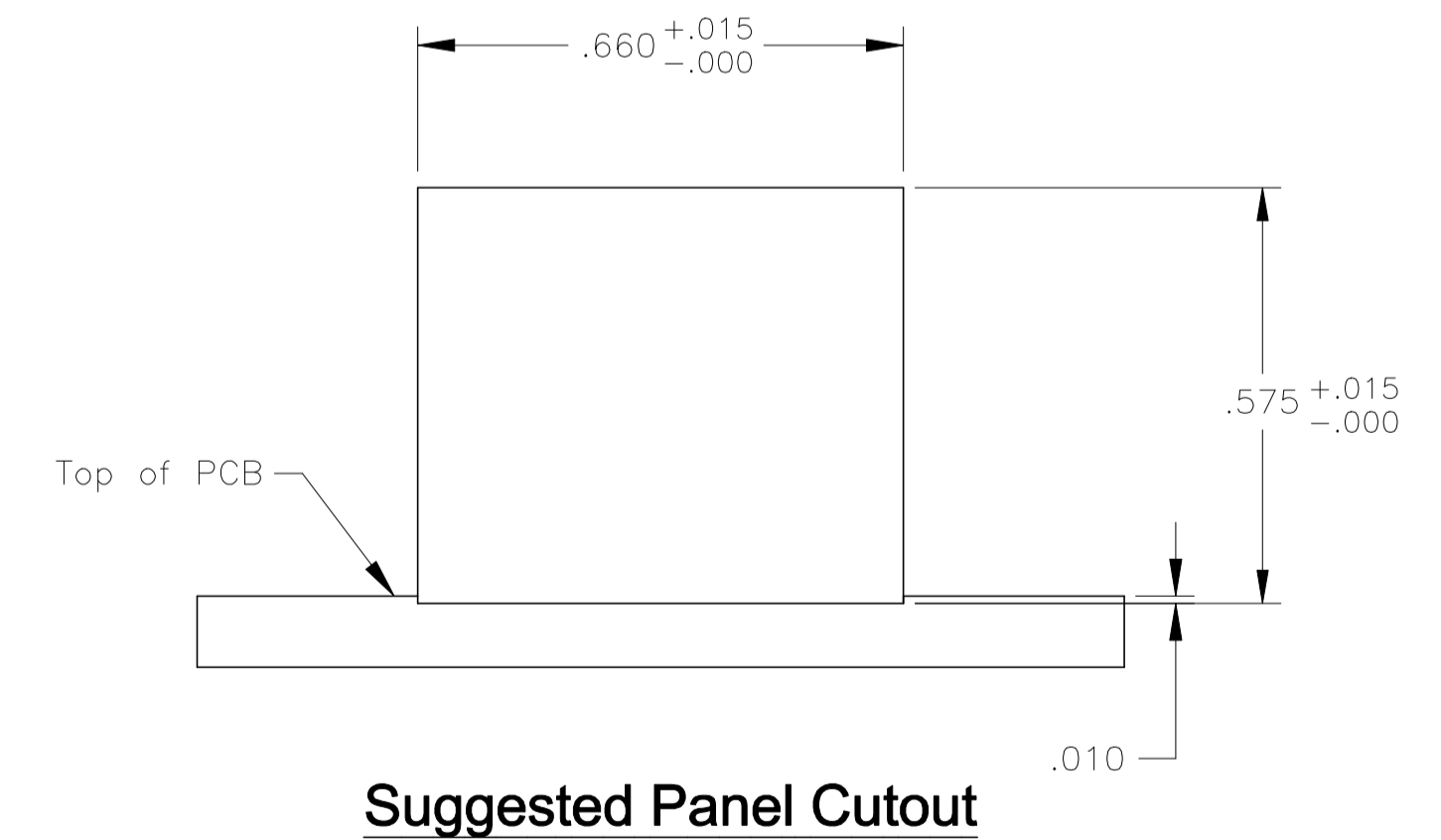
**4G05ETP1 Series GIGABIT Magnetic Circuit**



R1-R4=75 OHMS,1/16W,5% RESISTORS.  
 C1=1000 pF, 2kV DECOUPLING CAPACITOR.  
 C2-C5=0.1uF,5%,50V,X7R,CAPACITORS



**Suggested PCB Layout (Component Side)**



**Suggested Panel Cutout**

|             |              |              |             |
|-------------|--------------|--------------|-------------|
| .145±.010   | GREEN/YELLOW | GREEN/YELLOW | 2-1840408-6 |
| .090±.010   | GREEN/YELLOW | GREEN/YELLOW | 1840408-6   |
| DIMENSION A | LED1         | LED2         | PART NUMBER |

|   |                     |  |               |                    |
|---|---------------------|--|---------------|--------------------|
| THIS DRAWING IS A CONTROLLED DOCUMENT.  |                     | DWN: CLOUD ZENG 29MAY2006                  |               | <br>DONGGUAN CHINA |
| DIMENSIONS: INCHES  |                     | CHK: MICHAEL ZHANG 29MAY2006               |               |                    |
| TOLERANCES UNLESS OTHERWISE SPECIFIED:  |                     | APVD: TEDDY XIONG 29MAY2006                |               |                    |
| 0 PLC ± -<br>1 PLC ± -<br>2 PLC ± .010<br>3 PLC ± .005<br>4 PLC ± -<br>ANGLES ± - |                     | MODEL NAME: MAGJACK                        |               |                    |
| PRODUCT SPEC: 108-2100  | APPLICATION SPEC: - | DESC: 1X1 4G05ETP1 GIGABIT TAB DOWN W/ LED |               | RESTRICTED TO: -   |
| CUSTOMER DRAWING  |                     | SCALE: NTS                                 | SHEET: 1 OF 1 | REV: D             |

## X-ON Electronics

Largest Supplier of Electrical and Electronic Components

*Click to view similar products for [Modular Connectors / Ethernet Connectors](#) category:*

*Click to view products by [Bel Fuse](#) manufacturer:*

Other Similar products are found below :

[8949-H88/06BLKA/SN](#) [74441-0010/BKN](#) [MP1010RX-1000](#) [MP44RX-1000](#) [PHJ-4P4C-1-V-4](#) [PHP-6P6C-5](#) [GAX-3-66](#) [GAX-8-62](#) [GDCX-PA-66-50](#) [GDCX-PN-64](#) [GDCX-PN-66](#) [GDCX-PN-66-50](#) [GDLX-A-66](#) [GDLX-N-66](#) [GDLX-S-66](#) [GDLX-S-88K](#) [GDLX-SMT-S-88](#) [GDTX-S-88-50](#) [GDX-PA-1010](#) [GLX-N-1010M-BLK](#) [GLX-S-88M-BLK](#) [GMX-N-1010](#) [GMX-S-1010](#) [GMX-S-66](#) [GMX-SMT4-N-88](#) [GPX-2-64](#) [GSGX-N-2-88](#) [GSGX-N-4-88](#) [GSX-NS2-88-3.05](#) [GSX-NS2-88-3.05-50](#) [GSX-NS-88-3.05-50](#) [PT-108A-8C-UL](#) [PT-J951-8C](#) [PTS-J531-8CS-50UL](#) [1-1775629-2](#) [A-2014-0-4](#) [GWLX-S-88-GR](#) [GWLX-S9-88-YG](#) [DC-1021-8-WH-6](#) [1300530003](#) [1324640-4](#) [RJ11FTVC2G](#) [RJ11FTVC2N](#) [RJFTVX2SA1G](#) [132764-001](#) [1413235](#) [MP88X-1000](#) [MPS88RX-5000](#) [E5288-S000K3-L](#) [E5908-15A242-L](#)