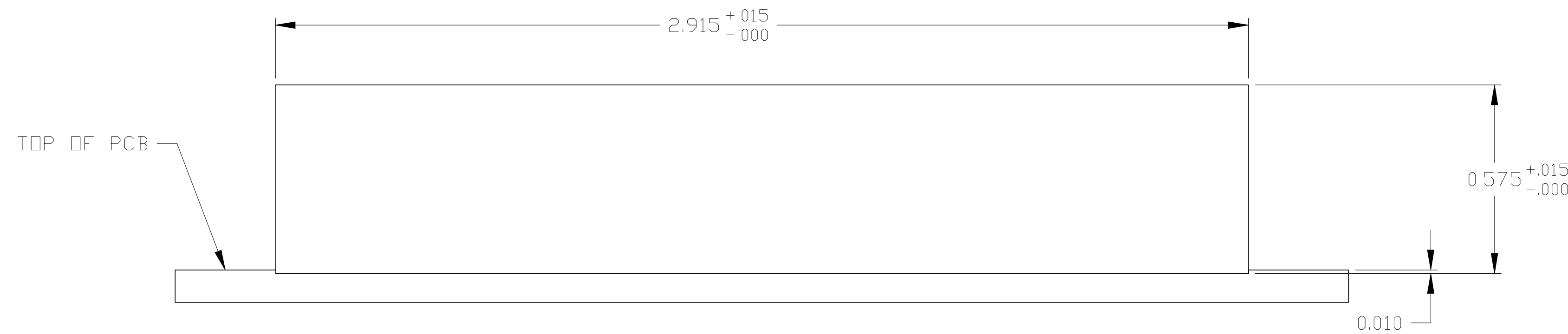
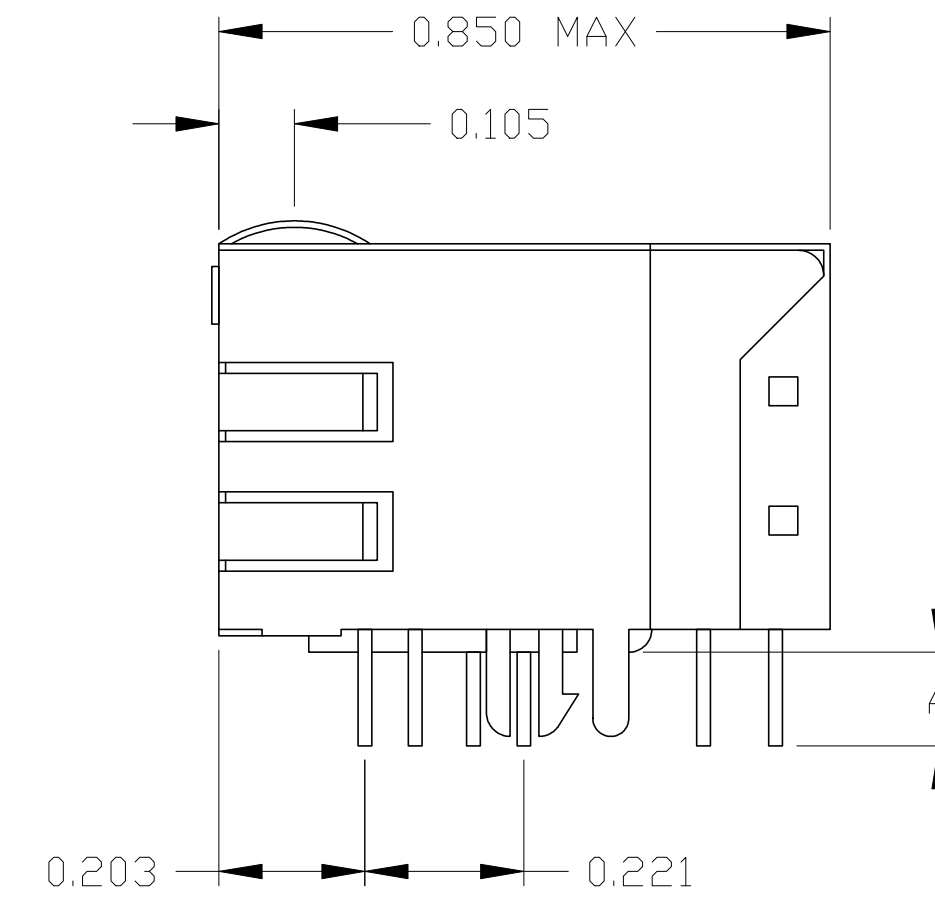
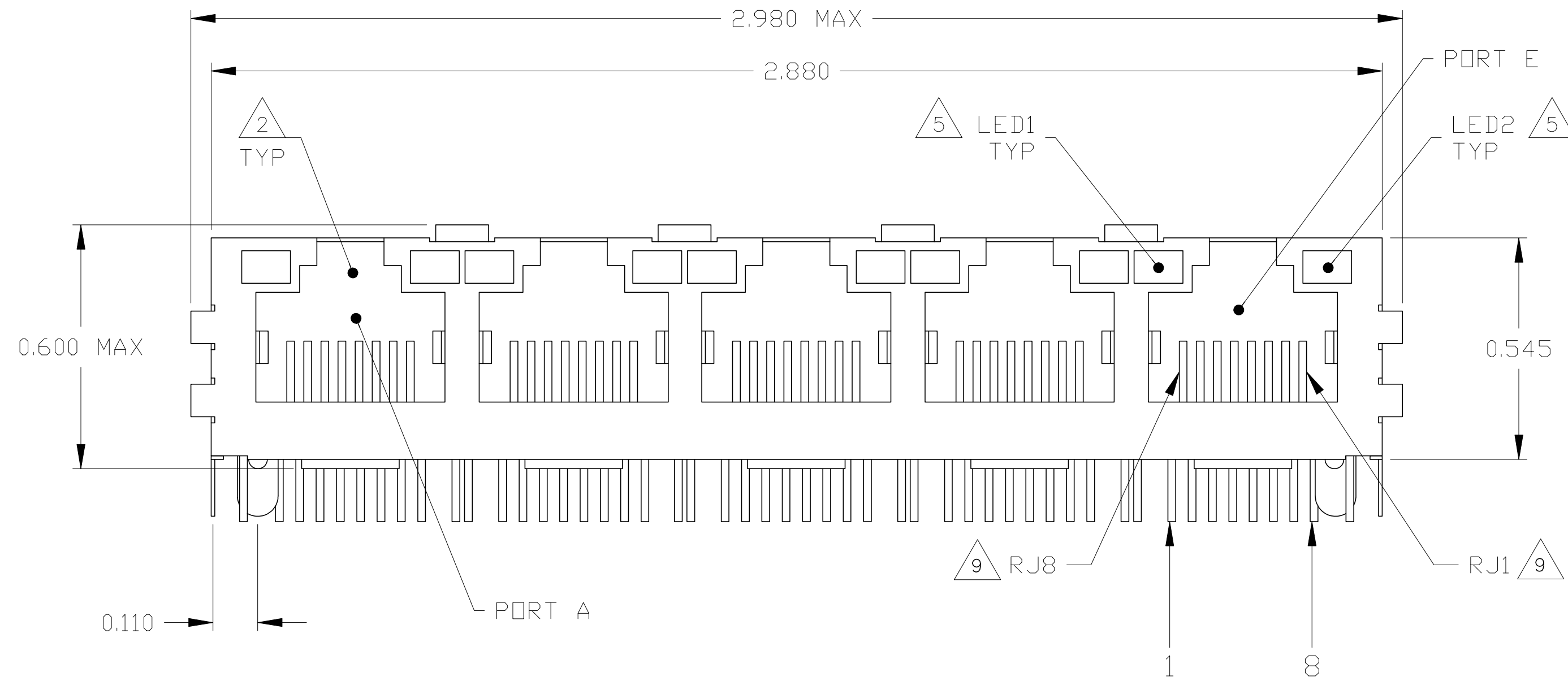
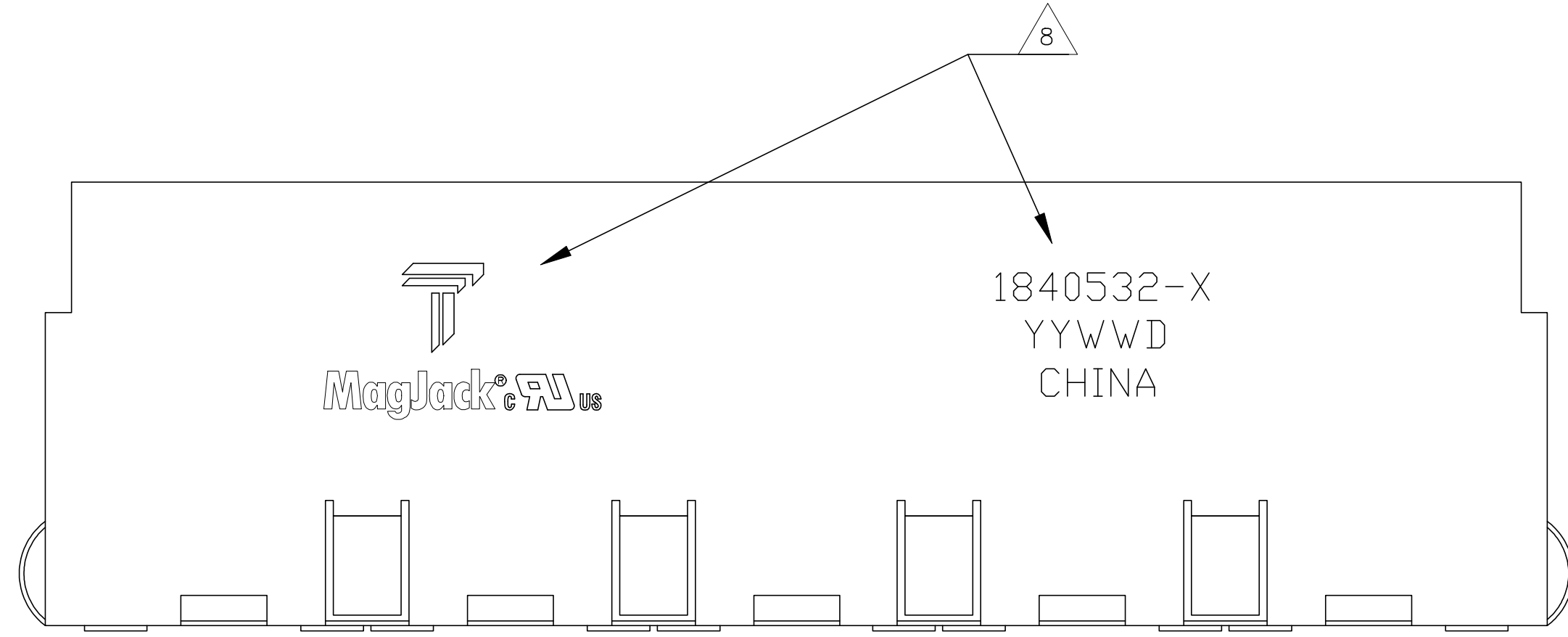


THIS DRAWING AND THE SUBJECT MATTER SHOWN THEREON ARE CONFIDENTIAL AND THE PROPERTY OF BEL/STEWART/TRP CONNECTOR AND SHALL NOT BE REPRODUCED, COPIED, OR USED IN ANY MANNER WITHOUT THE WRITTEN CONSENT OF TRP CONNECTOR.

PRODUCT MAY BE PROTECTED BY ONE OR MORE OF THE FOLLOWING US PATENTS:
 5736910 5939955 6425781 6428361 6554638 6840817 7123117
 7429195 7717749 7808751 6217391 6149050 7924130

REVISIONS					
P	LTR	DESCRIPTION	DATE	DMN	APVD
F		EC-1411035 COMPANY LOGO CHANGE	26DEC2014	RT	TL

MECHANICAL:



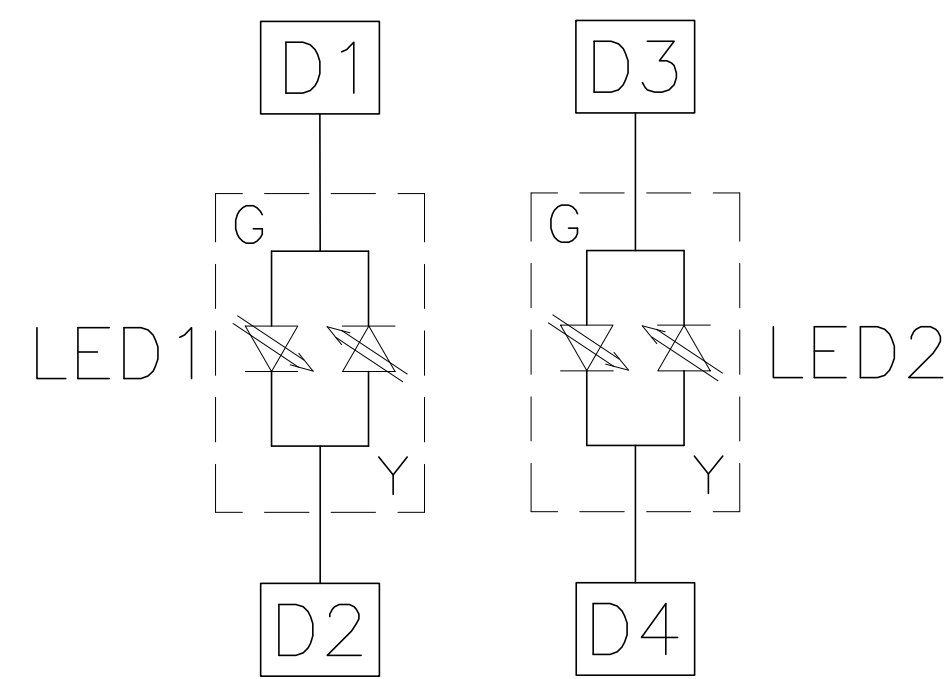
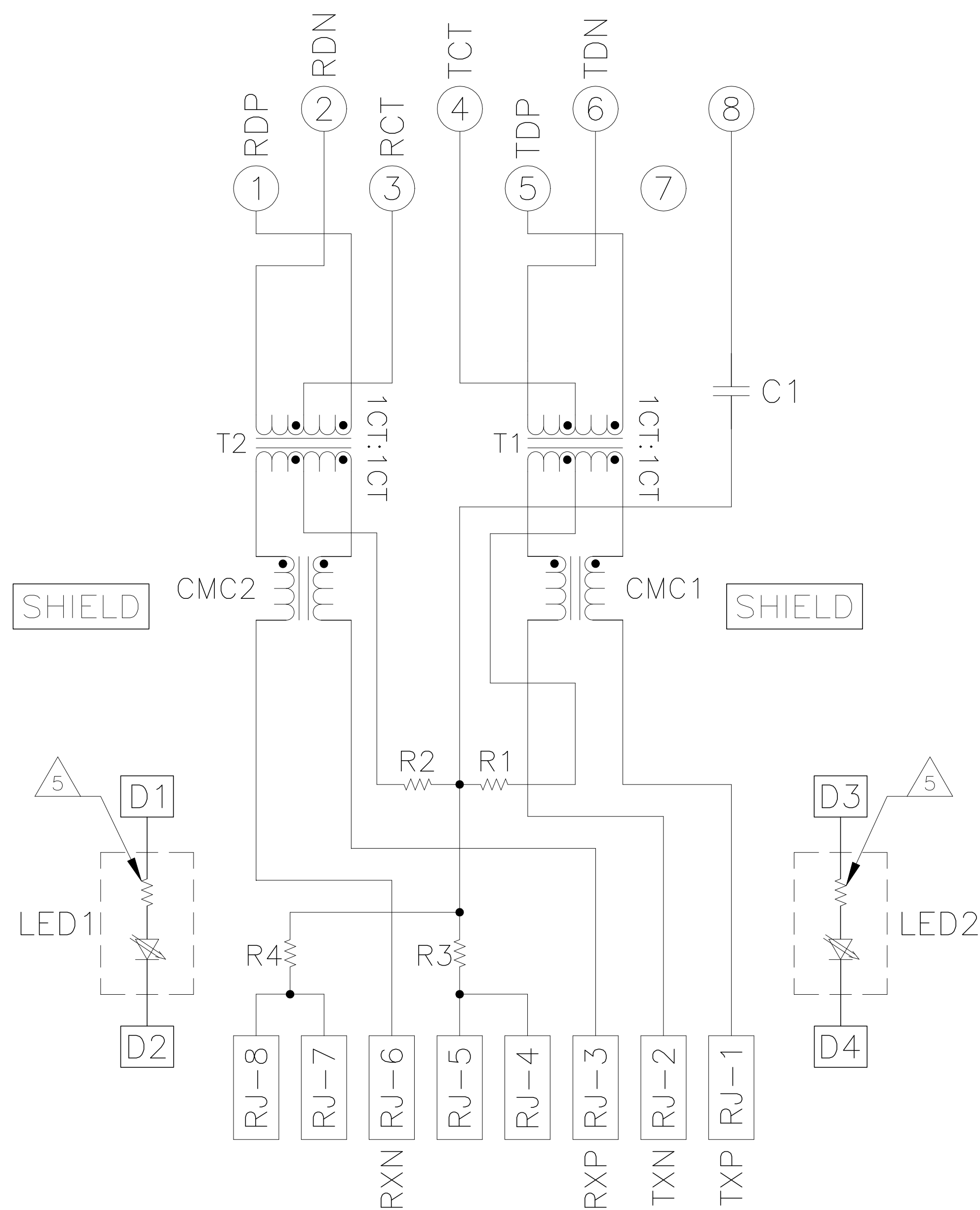
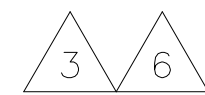
1X5 SUGGESTED PANEL CUTOUT

- ① MATERIALS:
 - HOUSING - THERMOPLASTIC PET POLYESTER FLAMMABILITY RATING UL 94V-0.
 - SHIELD - 0.010" THICK, C26800 BRASS PREPLATED WITH 30μINCH MIN SEMI-BRIGHT NICKEL. SOLDER TABS POST DIPPED WITH 100μINCH MIN SAC SOLDER.
 - MOD JACK CONTACTS - 0.0157" X 0.018" PHOSPHOR BRONZE, 50μINCH MIN OVERALL NICKEL UNDERPLATE WITH SELECT 50μINCH MIN HARD GOLD FINISH PLATE. SOLDER TAILS WITH 100μINCH MIN MATTE TIN AND/OR SAC SOLDER DIP.
 - LIGHT EMITTING DIODE(LED) - DIFFUSED EPOXY LENS, 0.020" X 0.020" CARBON STEEL WIREFRAME LEADS PRE-PLATED WITH 80μINCH SILVER OVER 40μINCH NICKEL UNDERPLATE OVER 40μINCH COPPER UNDERPLATE. POST-PLATED WITH 100μINCH MIN MATTE TIN AND/OR SAC SOLDER DIP OR PURE TIN SOLDER DIP.
- ② RJ45 JACK CAVITY CONFORMS TO FCC RULES AND REGULATIONS PART 68, SUB PART F.
- ③ MAGNETICS
 - APPLICATION: 10/100 BASE-T
 - IMPEDANCE: 100 OHMS
 - TURNS RATIO (CHIP: CABLE): TX = 1:1, RX = 1:1
 - OPEN CIRCUIT INDUCTANCE (OCL): 350μH MIN @100kHz, 0.1VRMS, 8mADC BIAS FROM 0°C TO 70°C, TX AND RX
 - PERFORMANCE @ 25°C:
 - INSERTION LOSS (IL): 1.1dB MAX FROM 0.5MHZ TO 100MHZ
 - RETURN LOSS (RL): 18dB MIN FROM 0.5MHZ TO 30MHZ
 - 18-20LOG(f/30)dB MIN FROM 30.1MHZ TO 60MHZ
 - 12dB MIN FROM 60.1MHZ TO 80MHZ
 - CROSSTALK ATTENUATION: 35dB MIN FROM 0.5MHZ TO 40MHZ
 - 33-20×LOG(f/50)dB MIN FROM 40.1MHZ TO 100MHZ
 - COMMON MODE REJECTION RATIO (CMRR): 30dB MIN FROM 0.5MHZ TO 100MHZ
 - ISOLATION VOLTAGE: COMPLIES WITH IEEE802.3 2002, PARA 23.5.1.1, ITEM b.
- 4. OPERATING TEMPERATURE: FROM 0°C TO +70°C.
- ⑤ THE 250 OHM LED RESISTORS ARE OPTIONAL, PLEASE SEE CHART FOR PRESENCE OR ABSENCE OF LED RESISTORS. IF THE LED WITHOUT 250 OHM RESISTORS, LED IS DRIVEN WITH CONSTANT CURRENT AT APPROX 20mA.
 - LED COLOR: DOMINANT WAVELENGTH (λD): GREEN 568 nm TYP. @ IF=20mA
 - FORWARD VOLTAGE (VF): GREEN 2.2V TYP. @ IF=20mA
 - DOMINANT WAVELENGTH (λD): YELLOW 588 nm TYP. @ IF=20mA
 - FORWARD VOLTAGE (VF): YELLOW 2.1V TYP. @ IF=20mA.
 - DOMINANT WAVELENGTH (λD): ORANGE 605 nm TYP. @ IF=20mA
 - FORWARD VOLTAGE (VF): ORANGE 2.05V TYP. @ IF=20mA
 - IF THE LED WITH 250 OHM RESISTORS,LED IS DRIVEN WITH 5V VOLTAGE AND THE MAX OPERATING CURRENT IS 20mA.
 - LED COLOR : DOMINANT WAVELENGTH (λD): GREEN 568 nm TYP. @ VF=5V
 - FORWARD CURRENT (IF): GREEN 12 mA TYP. @ VF=5V
 - DOMINANT WAVELENGTH (λD): YELLOW 588 nm TYP. @ VF=5V
 - FORWARD CURRENT (IF): YELLOW 13 mA TYP. @ VF=5V
- ⑥ INDICATED MAGNETIC CONNECTIONS ARE SYMMETRICAL AND SUPPORT AUTO-MDIX.
- 7. THESE PARTS ARE RECOMMENDED FOR WAVE SOLDERING PROCESS, PEAK WAVE SOLDERING TEMPERATURE IS 265°C MAX,10 SECONDS MAX.
- ⑧ TRP CONNECTOR LOGO, PART NUMBER, DATE CODE, COUNTRY OF ORIGIN AND AGENCY APPROVAL MARKING IN APPROXIMATE LOCATION SHOWN.
- ⑨ CONTACT LUBRICANT APPLIED IN MATING AREA.

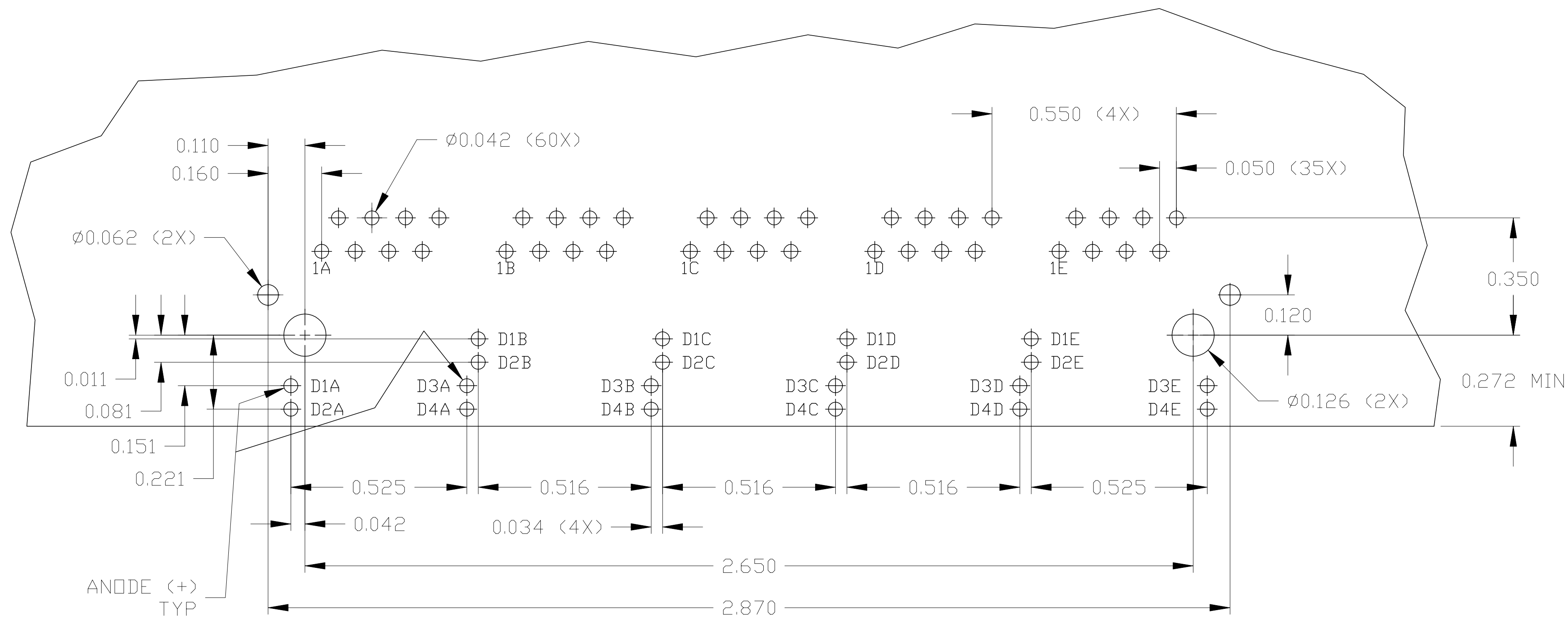
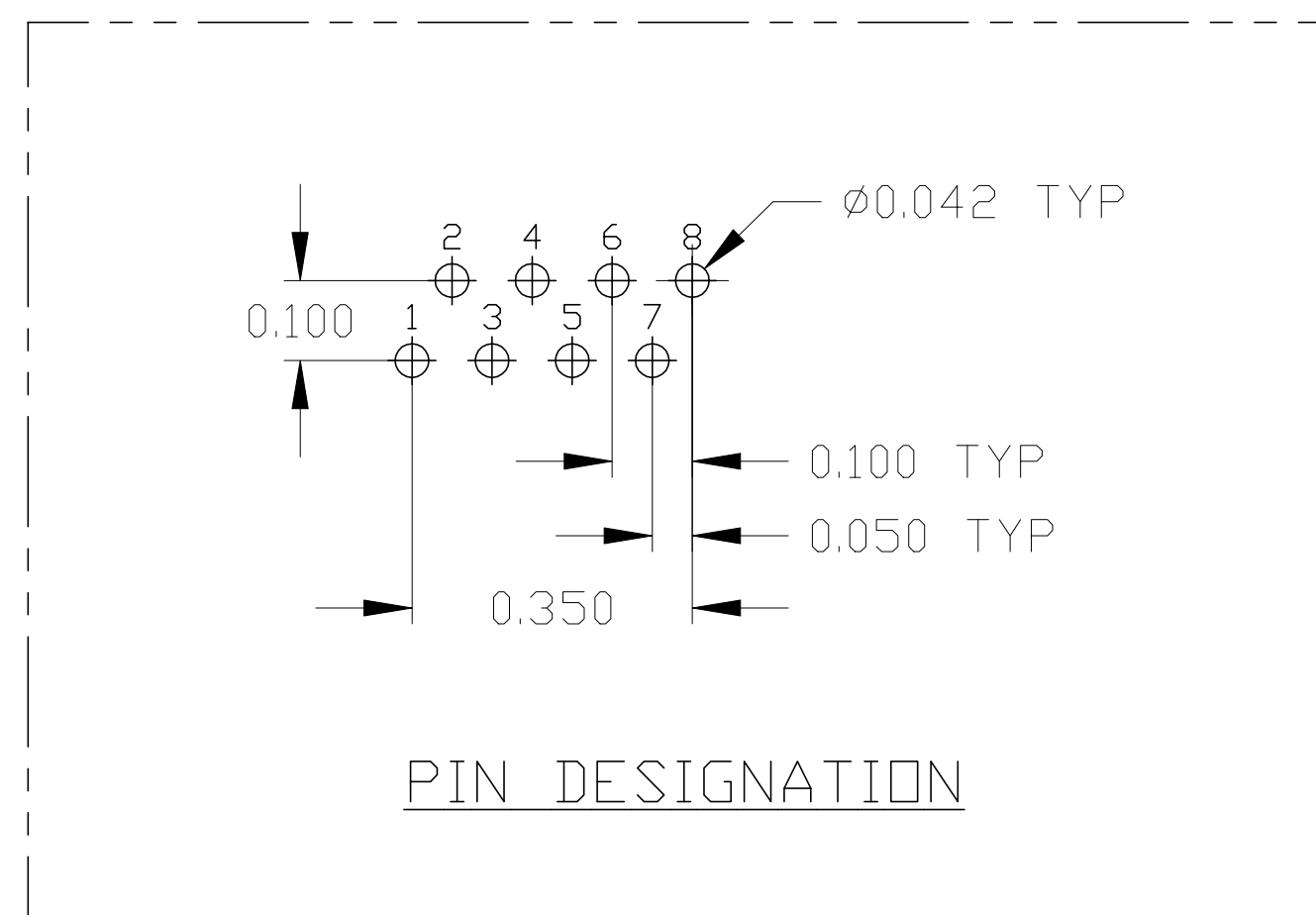
OBSOLETE	0.145±0.010	GREEN	YES	GREEN	YES	6-1840532-4
	0.110±0.010	GREEN	YES	YELLOW	YES	2-1840532-1
OBSOLETE	0.145±0.010	YELLOW	NO	YELLOW	NO	1-1840532-0
OBSOLETE	0.145±0.010	YELLOW	NO	GREEN	NO	1840532-9
OBSOLETE	0.145±0.010	GREEN	NO	YELLOW	NO	1840532-8
OBSOLETE	0.145±0.010	GREEN	NO	GREEN	NO	1840532-7
OBSOLETE	0.145±0.010	GREEN/YELLOW	NO	GREEN/YELLOW	NO	1840532-6
OBSOLETE	0.145±0.010	GREEN/YELLOW	NO	GREEN	NO	1840532-5
OBSOLETE	0.145±0.010	GREEN/YELLOW	NO	GREEN	YES	1840532-4
OBSOLETE	0.145±0.010	YELLOW	YES	YELLOW	YES	1840532-3
OBSOLETE	0.145±0.010	YELLOW	YES	GREEN	YES	1840532-2
	0.145±0.010	GREEN	YES	YELLOW	YES	1840532-1

DIM "A"	LED1	250 OHMS RESISTOR	LED2	250 OHMS RESISTOR	PART NUMBER
THIS DRAWING IS A CONTROLLED DOCUMENT.					
DIMENSIONS: INCHES		TOLERANCES UNLESS OTHERWISE SPECIFIED:		DIMN CLOUD ZENG SMAR2007 DMN DENNIS CHEN SMAR2007 APVD TEDDY XIONG SMAR2007	
0 PLC ± - 1 PLC ± - 2 PLC ± .010 3 PLC ± .005 4 PLC ± - ANGLES ± -		TRP CONNECTOR DONGGUAN CHINA			
PRODUCT SPEC 108-2100		APPLICATION SPEC -		MODEL NAME MAGJACK DESC 1X5 726 10/100 TAB UP W/ LED SIZE A1 CAGE CODE DRAWING NO C=1840532 RESTRICTED TO - CUSTOMER DRAWING SCALE 4:1 SHEET 1 OF 2 REV F	

726 10/100 BASE-T CIRCUIT



LED CONFIGURATION FOR 1840532-6 ONLY



SUGGESTED PCB LAYOUT
(Component Side)

R1-R4=75 OHMS, 1/16W, 5% RESISTORS.
C1=1000 pF, 2kV CAPACITOR.

THIS DRAWING IS A CONTROLLED DOCUMENT.		DWN: CLOUD ZENG SMAR2007			DONGGUAN CHINA
DIMENSIONS: INCHES		CHK: DENNIS CHEN SMAR2007			
TOLERANCES UNLESS OTHERWISE SPECIFIED:		APVD: TEDDY XIONG SMAR2007		DESC: 1X5 726 10/100 TAB UP W/ LED	
0. PLC ± - 1. PLC ± - 2. PLC ± .010 3. PLC ± .005 4. PLC ± - ANGLES ± -		MODEL NAME: MAGJACK		SIZE: A1	
PRODUCT SPEC: 108-2100		APPLICATION SPEC: -		CAGE CODE: -	
		CUSTOMER DRAWING		DRAWING NO: 1840532	
		SCALE: 4:1		SHEET 2 OF 2	
				REV F	

X-ON Electronics

Largest Supplier of Electrical and Electronic Components

Click to view similar products for [Modular Connectors / Ethernet Connectors](#) category:

Click to view products by [Bel Fuse](#) manufacturer:

Other Similar products are found below :

[8949-H88/06BLKA/SN](#) [74441-0010/BKN](#) [MP1010RX-1000](#) [MP44RX-1000](#) [PHJ-4P4C-1-V-4](#) [PHP-6P6C-5](#) [GAX-3-66](#) [GAX-8-62](#) [GDCX-PA-66-50](#) [GDCX-PN-64](#) [GDCX-PN-66](#) [GDCX-PN-66-50](#) [GDLX-A-66](#) [GDLX-N-66](#) [GDLX-S-66](#) [GDLX-S-88K](#) [GDLX-SMT-S-88](#) [GDTX-S-88-50](#) [GDX-PA-1010](#) [GLX-N-1010M-BLK](#) [GLX-S-88M-BLK](#) [GMX-N-1010](#) [GMX-S-1010](#) [GMX-S-66](#) [GMX-SMT4-N-88](#) [GPX-2-64](#) [GSGX-N-2-88](#) [GSGX-N-4-88](#) [GSX-NS2-88-3.05](#) [GSX-NS2-88-3.05-50](#) [GSX-NS-88-3.05-50](#) [PT-108A-8C-UL](#) [PT-J951-8C](#) [PTS-J531-8CS-50UL](#) [1-1775629-2](#) [A-2014-0-4](#) [GWLX-S-88-GR](#) [GWLX-S9-88-YG](#) [DC-1021-8-WH-6](#) [1300530003](#) [1324640-4](#) [RJ11FTVC2G](#) [RJ11FTVC2N](#) [RJFTVX2SA1G](#) [132764-001](#) [1413235](#) [MP88X-1000](#) [MPS88RX-5000](#) [E5288-S000K3-L](#) [E5908-15A242-L](#)