

4

3

2

1

THIS DRAWING AND THE SUBJECT MATTER SHOWN THEREON ARE CONFIDENTIAL AND THE PROPERTY OF BEL/STEWART/TRP CONNECTOR AND SHALL NOT BE REPRODUCED, COPIED, OR USED IN ANY MANNER WITHOUT THE WRITTEN CONSENT OF TRP CONNECTOR.

PRODUCT MAY BE PROTECTED BY ONE OR MORE OF THE FOLLOWING US PATENTS:
5736910 5939955 6425781 6428361 6554638 6840817 7123117
7429195 7717749 7808751 6217391 6149050 7924130

REVISIONS

P	LTR	DESCRIPTION	DATE	DWN	APVD
A		LOGO CHANGE	24APR2013	TY	KZ
B		EC-1411035 COMPANY LOGO CHANGE	09JAN2015	TYR	TYN

1840728-X
YYWW
CHINA
MagJack® c RJ45

16.79

19.19±0.51

LED1

LED2

13.61

RJ8

RJ1

12.70 REF

33.02

15.01

3.68

7.75

3.18

15.24

17.78

20.32

DIM A TYP.

17.55

14.00

0.25

TOP OF PCB

2.03

CONNECTOR ASSEMBLED TO PANEL AND PCB

1. MATERIALS

HOUSING: THERMOPLASTIC, BLACK, FLAMMABILITY RATING UL 94V-0
SHIELD: BRASS, 0.20mm THICK
PREPLATED WITH MIN 0.76um SEMI-BRIGHT NICKEL
POST DIPPED WITH 2.54um MIN SAC SOLDER AT GROUND PINS.
CONTACT: PHOSPHOR BRONZE, 0.46mmX0.30mm
WITH 1.27um MIN OVERALL NICKEL UNDERPLATE AND
SELECTIVE 1.27um MIN GOLD PLATING AT MATING INTERFACE
SOLDER TAIL: COPPER CLADDED STEEL, 0.50mm SQUARE
PLATED WITH 2.54um MIN MATTE TIN
LIGHT PIPE: POLYCARBON, TRANSPARENT, RATING UL 94V-0
LED: DIFFUSED EPOXY LENS, 0.50mm SQUARE CARBON STEEL WIREFRAME LEADS
PREPLATED WITH 2.03um MIN SILVER OVER 1.02um MIN NICKEL OVER 1.02um
MIN COPPER UNDERPLATE POST PLATED WITH 2.54um MIN TIN,
TIP TIN DIPPING

2. MAGNETICS

-APPLICATION: 10/100/1000 BASE-T
-IMPEDANCE: 100 OHMS
-TURNS RATIO (CHIP:CABLE): 1:1 ALL FOUR PAIRS
-OPEN CIRCUIT INDUCTANCE (OCL): 350uH MIN @100kHz, 0.1VRMS,
8mADC BIAS FROM 0°C TO 70°C, ALL FOUR PAIRS
-ALL FOUR PAIRS BI-DIRECTIONAL
-PERFORMANCE @ 25°C:
INSERTION LOSS (IL): 1.1dB MAX FROM 0.5MHz TO 100MHz
RETURN LOSS (RL): 18dB MIN FROM 0.5MHz TO 40MHz
12-20LOG(f/80)dB MIN FROM 40.1MHz TO 100MHz
CROSSTALK ATTENUATION: 35dB MIN FROM 0.5MHz TO 40MHz
33-20LOG(f/50)dB MIN FROM 40.1MHz TO 100MHz
COMMON MODE REJECTION RATIO (CMRR): 30dB MIN FROM 0.5MHz TO 100MHz
-ISOLATION VOLTAGE: 2250 VDC FOR 60 SECONDS DURATION FOR 1840728-6,
1840728-7, 1-1840728-3, 1-1840728-5
-ISOLATION VOLTAGE: 1500 VAC(RMS) AT 50 Hz TO 60 Hz FOR 60 SECONDS DURATION
FOR 1840728-5, 1840728-9

3. THE MAGNETICS ARE SYMMETRICAL AND SUPPORT AUTO-MDIX OPERATION.

4. OPERATING TEMPERATURE: 0°C TO 70°C

5. LEDs ARE DRIVEN WITH CONSTANT CURRENT AT APPROX 20mA.

LED COLOR: DOMINANT WAVELENGTH (λ D): GREEN 568 nm TYP. at IF=20mA
FORWARD VOLTAGE (VF): GREEN 2.2V TYP. at IF=20mA
DOMINANT WAVELENGTH (λ D): YELLOW 588 nm TYP. at IF=20mA
FORWARD VOLTAGE (VF): YELLOW 2.1V TYP. at IF=20mA
DOMINANT WAVELENGTH (λ D): ORANGE 605 nm TYP. at IF=20mA
FORWARD VOLTAGE (VF): ORANGE 2.1V TYP. at IF=20mA

6. RJ45 CAVITY CONFORMS TO FCC RULES AND REGULATION PART 68 SUBPART F.

7. TRP CONNECTOR LOGO, PART NUMBER, DATE CODE, COUNTRY OF ORIGIN
AND AGENCY APPROVAL MARKING IN APPROXIMATE LOCATION SHOWN. DATE CODE:
"YY" IS YEAR, "WW" IS WORK WEEK, "D" IS DAY OF WEEK, WITH SUNDAY=1

8. THESE PARTS ARE RECOMMENDED FOR WAVE SOLDERING PROCESS, PREHEAT
TEMPERATURE IS 120°C TO 160°C, 120 SECONDS TO 180 SECONDS, PEAK
WAVE SOLDERING TEMPERATURE IS 260°C MAX, 10 SECONDS MAX.

3.56	YELLOW/GREEN	GREEN	1-1840728-5
3.18	GREEN/ORANGE	YELLOW	1-1840728-3
3.18	YELLOW	GREEN	1840728-9
3.18	GREEN	GREEN	1840728-7
3.18	YELLOW/GREEN	YELLOW/GREEN	1840728-6
3.18	YELLOW/GREEN	GREEN	1840728-5
DIM A	LED1	LED2	PART NUMBER

THIS DRAWING IS A CONTROLLED DOCUMENT.

DWN JALU XU 200CT2006

CHK KEITH ZHU 200CT2006

APVD TEDDY XIONG 200CT2006

MODEL NAME

MAGJACK

SINGLE NON-POE

SIZE A2

CAGE CODE C-1840728

DRAWING NO

CUSTOMER DRAWING

SCALE 2:1

SHEET 1 OF 2

REV B

trp CONNECTOR
a bel group
DONGGUAN CHINA

DESC IX1 IG4I GIGABIT TAB UP W/ LED

RESTRICTED TO -

DIMENSIONS: mm

TOLERANCES UNLESS OTHERWISE SPECIFIED:

0 PLC ±

1 PLC ±0.25

2 PLC ±0.25

3 PLC ±0.25

4 PLC ±

ANGLES ±

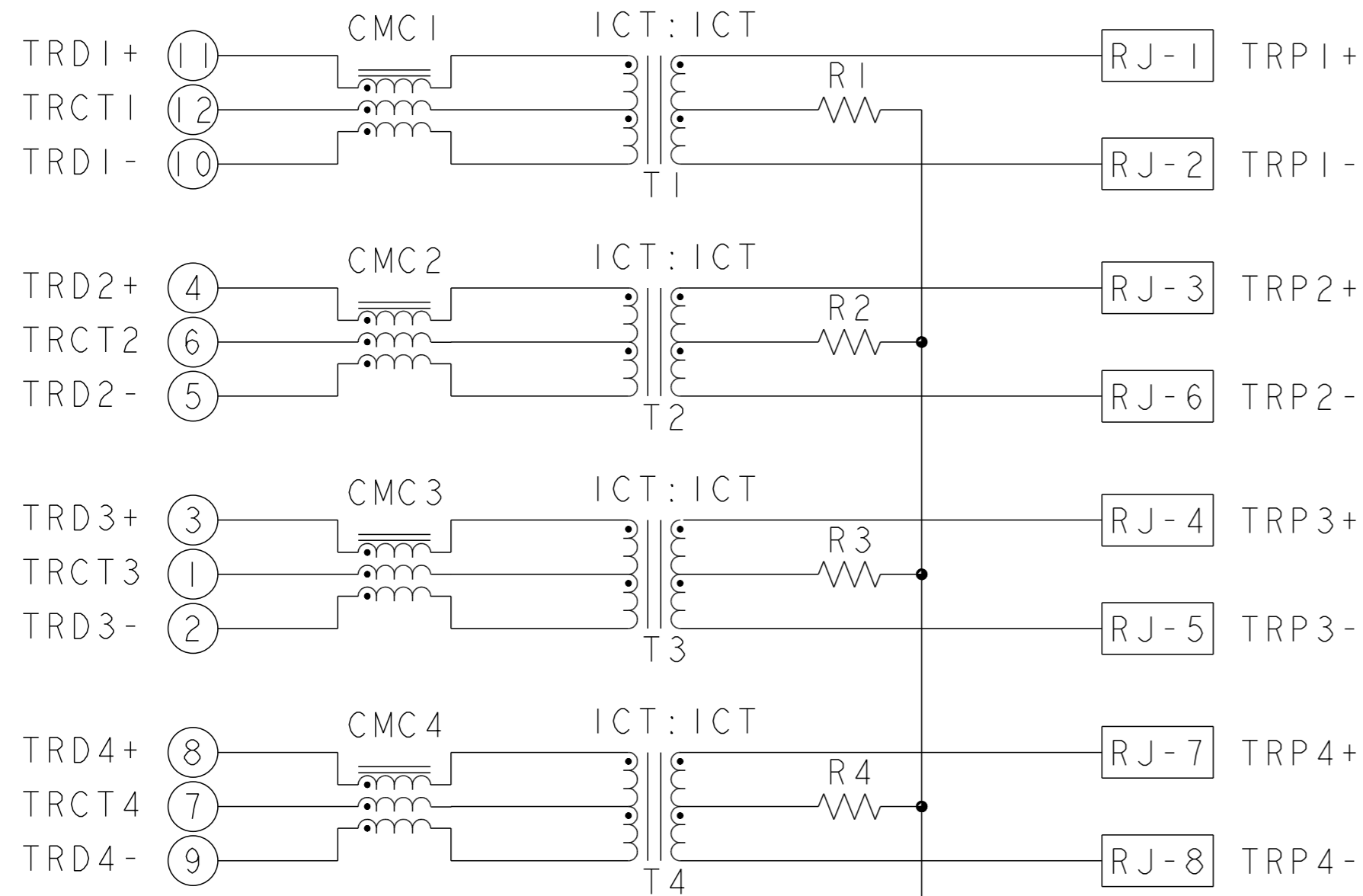
APPLICATION SPEC

PRODUCT SPEC 108-2100

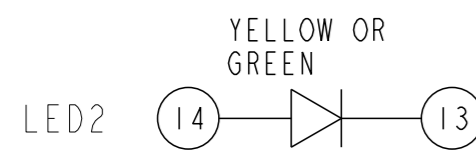
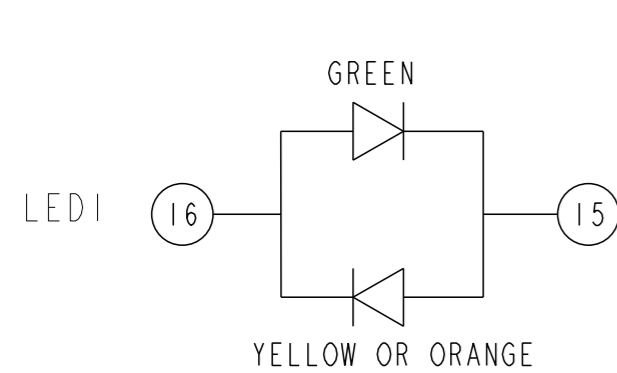
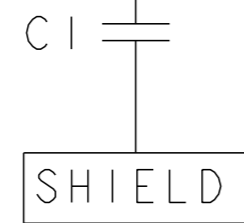
SUGGESTED PANEL CUTOUT VS CUSTOMER BOARD

XXXX

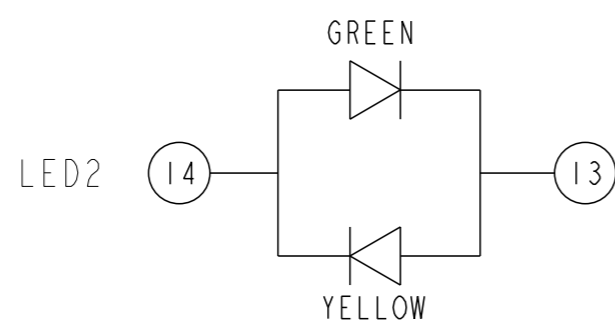
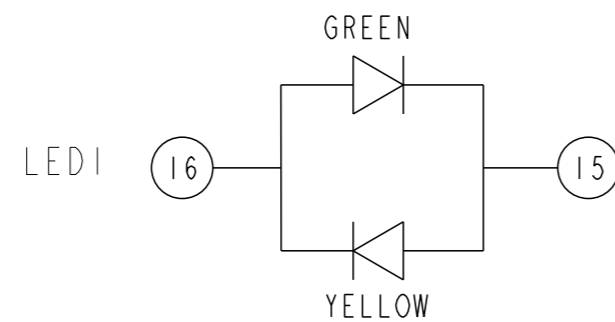
IG41 GIGABIT CIRCUIT



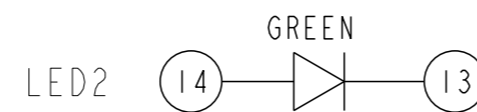
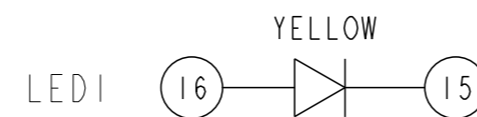
R1-R4=75 Ohms, 1/16W, 5% RESISTORS
 C1=1000pF, 3kV CAPACITOR



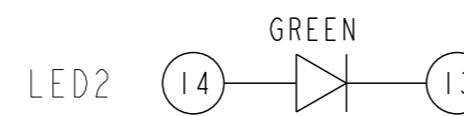
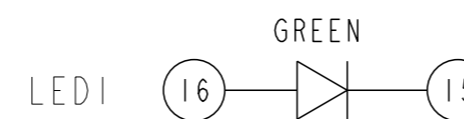
LED CONFIGURATION FOR 1-1840728-3, 1840728-5, 1-1840728-5



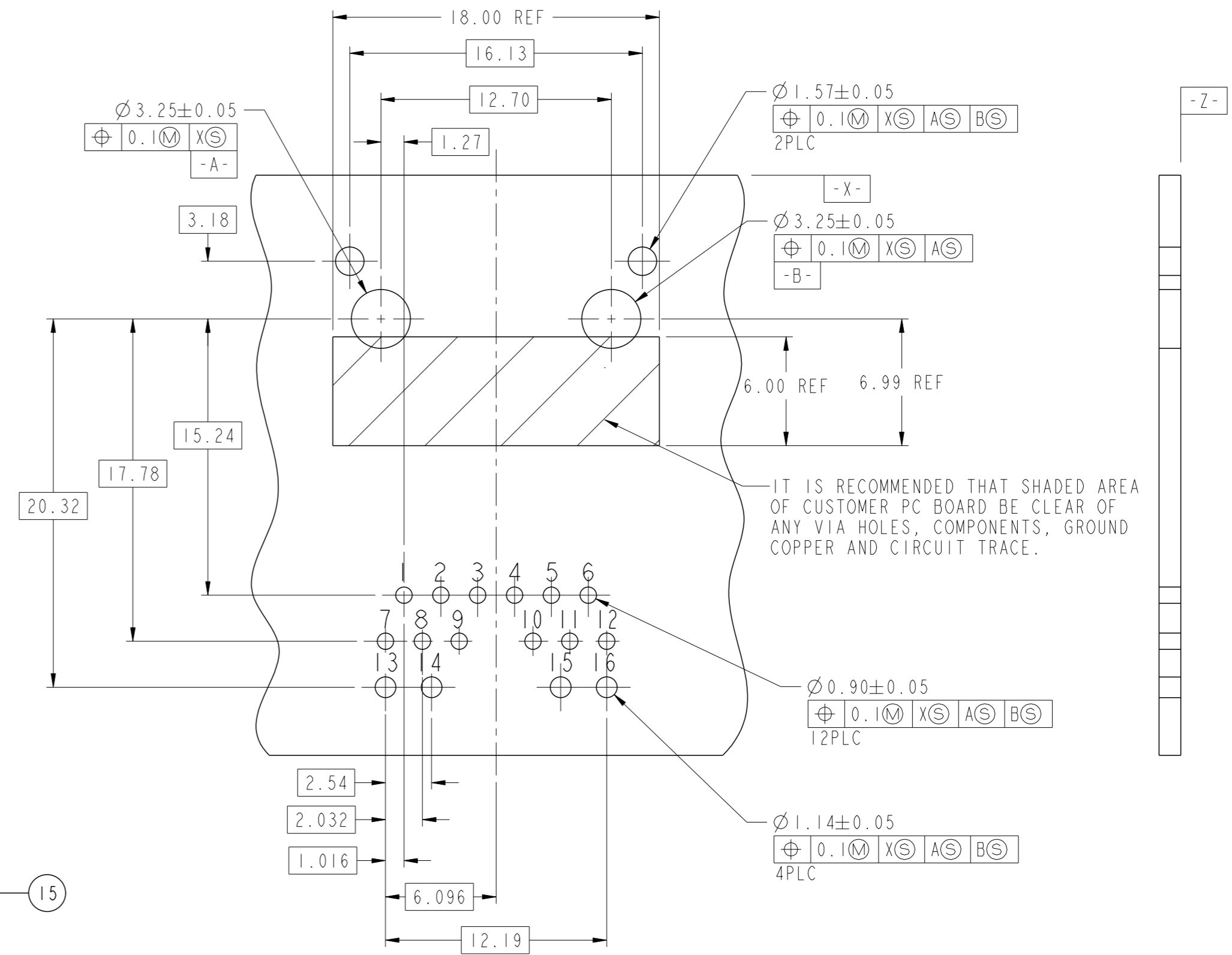
LED CONFIGURATION FOR 1840728-6 ONLY



LED CONFIGURATION FOR 1840728-9 ONLY



LED CONFIGURATION FOR 1840728-7 ONLY



SUGGESTED CUSTOMER PCB COMPONENT SIDE SCALE 2:1

THIS DRAWING IS A CONTROLLED DOCUMENT.		DWN: JALU XU 200CT2006	trp CONNECTOR a bel group DONGGUAN CHINA	
DIMENSIONS: mm		CHK: KEITH ZHU 200CT2006		
TOLERANCES UNLESS OTHERWISE SPECIFIED:		APVD: TEDDY XIONG 200CT2006		
0 PLC ± 1 PLC ±0.25 2 PLC ±0.25 3 PLC ±0.25 4 PLC ± ANGLES ± APPLICATION SPEC		MODEL NAME: MAGJACK SINGLE NON-POE		
PRODUCT SPEC: 108-2100		DESC: IX1 IG41 GIGABIT TAB UP W/ LED		RESTRICTED TO: -
CUSTOMER DRAWING			SIZE: A2	CAGE CODE: C-1840728
SCALE: 2:1			SHEET: 2 OF 2	REV: B

X-ON Electronics

Largest Supplier of Electrical and Electronic Components

Click to view similar products for [Modular Connectors / Ethernet Connectors](#) category:

Click to view products by [Bel Fuse](#) manufacturer:

Other Similar products are found below :

[8949-H88/06BLKA/SN](#) [74441-0010/BKN](#) [MP1010RX-1000](#) [MP44RX-1000](#) [PHJ-4P4C-1-V-4](#) [PHP-6P6C-5](#) [GAX-3-66](#) [GAX-8-62](#) [GDCX-PA-66-50](#) [GDCX-PN-64](#) [GDCX-PN-66](#) [GDCX-PN-66-50](#) [GDLX-A-66](#) [GDLX-N-66](#) [GDLX-S-66](#) [GDLX-S-88K](#) [GDLX-SMT-S-88](#) [GDTX-S-88-50](#) [GDX-PA-1010](#) [GLX-N-1010M-BLK](#) [GLX-S-88M-BLK](#) [GMX-N-1010](#) [GMX-S-1010](#) [GMX-S-66](#) [GMX-SMT4-N-88](#) [GPX-2-64](#) [GSGX-N-2-88](#) [GSGX-N-4-88](#) [GSX-NS2-88-3.05](#) [GSX-NS2-88-3.05-50](#) [GSX-NS-88-3.05-50](#) [PT-108A-8C-UL](#) [PT-J951-8C](#) [PTS-J531-8CS-50UL](#) [1-1775629-2](#) [A-2014-0-4](#) [GWLX-S-88-GR](#) [GWLX-S9-88-YG](#) [DC-1021-8-WH-6](#) [1300530003](#) [1324640-4](#) [RJ11FTVC2G](#) [RJ11FTVC2N](#) [RJFTVX2SA1G](#) [132764-001](#) [1413235](#) [MP88X-1000](#) [MPS88RX-5000](#) [E5288-S000K3-L](#) [E5908-15A242-L](#)