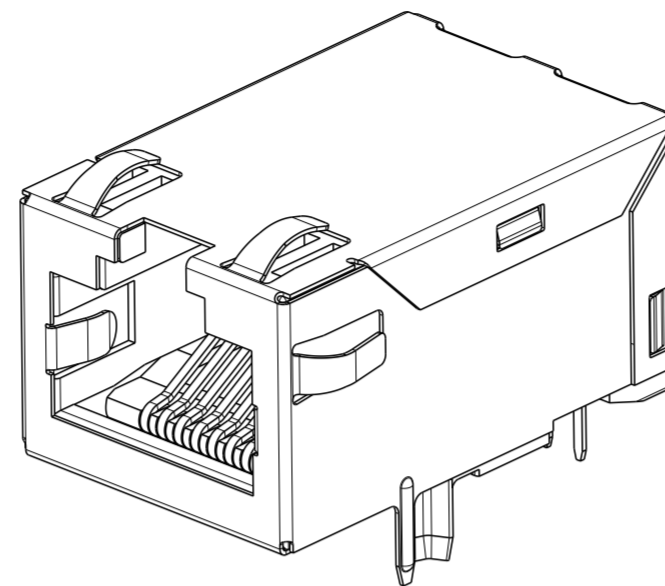
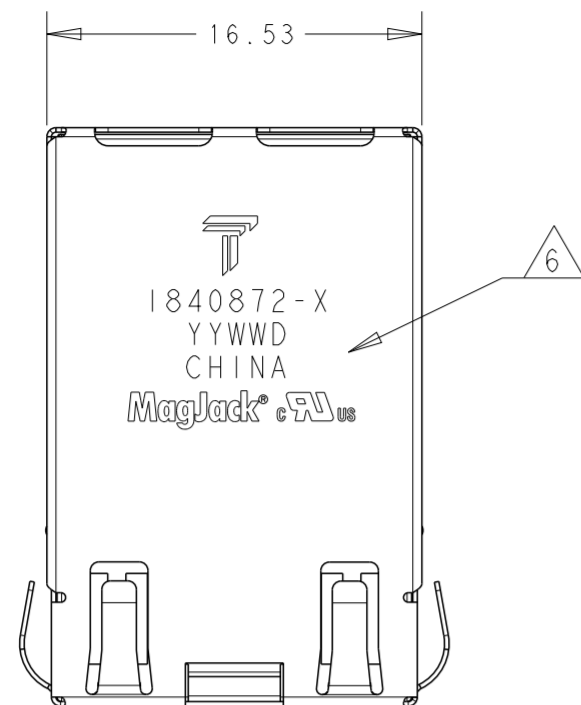


THIS DRAWING AND THE SUBJECT MATTER SHOWN THEREON ARE CONFIDENTIAL AND THE PROPERTY OF BEL/STEWART/TRP CONNECTOR AND SHALL NOT BE REPRODUCED, COPIED, OR USED IN ANY MANNER WITHOUT THE WRITTEN CONSENT OF TRP CONNECTOR.

PRODUCT MAY BE PROTECTED BY ONE OR MORE OF THE FOLLOWING US PATENTS:
 5736910 5939955 6425781 6428361 6554638 6840817 7123117
 7429195 7717749 7808751 6217391 6149050 7924130

REVISIONS				
P	LTR	DESCRIPTION	DATE	APVD
D		EC-1411035 COMPANY LOGO CHANGE	07JAN2015	RL TY



- MATERIAL
 HOUSING: THERMOPLASTIC BLACK, FLAMMABILITY RATING UL 94V-0
 SHIELD: 0.20mm THICK, BRASS
 PREPLATED WITH MIN 0.76um SEMI-BRIGHT NICKEL
 POST-DIPPED WITH 2.54um MIN SAC SOLDER AT GROUND PINS.
 CONTACT TAILS: PHOSPHOR BRONZE,
 WITH 1.27um MIN OVERALL NICKEL UNDERPLATE AND
 SELECTIVE 1.27um MIN GOLD PLATING AT MATING INTERFACE
 SOLDER TAIL: 0.25mm THICK, PHOSPHOR BRONZE, 1.27um MIN OVERALL NICKEL
 UNDERPLATE, 3um MIN TIN PLATE.

2 RJ45 CAVITY CONFORMS TO FCC RULES AND REGULATIONS PART 68, SUB-PART F.

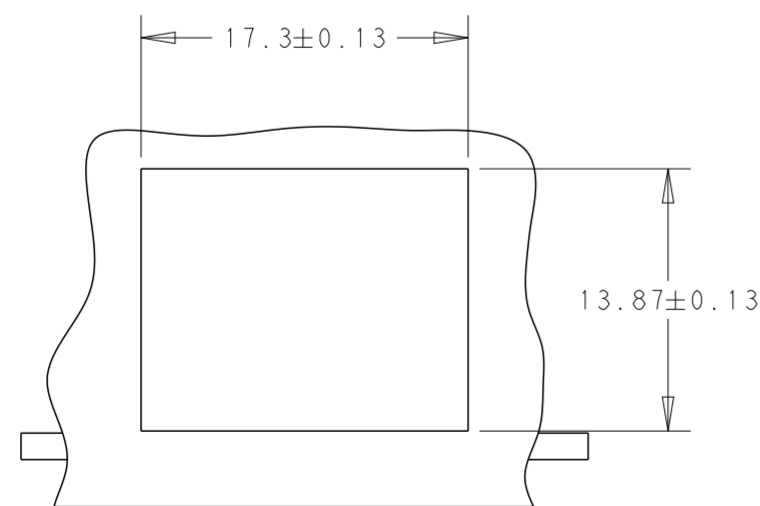
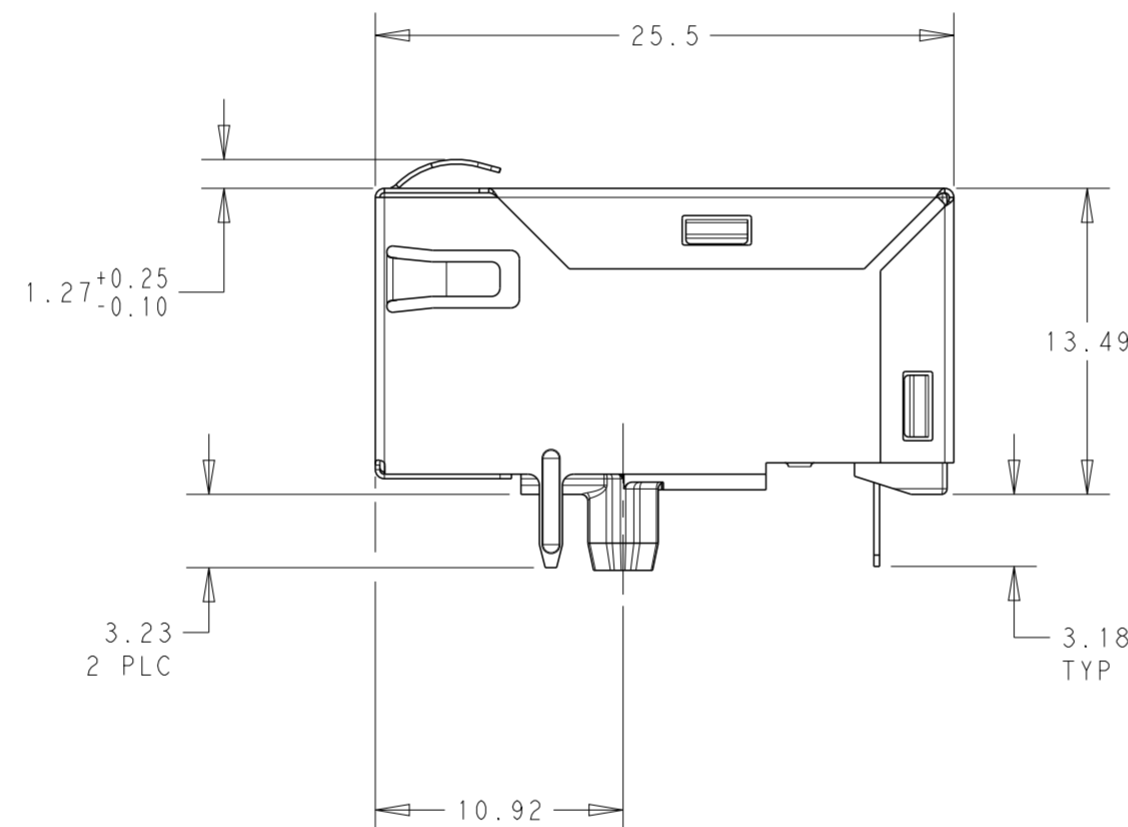
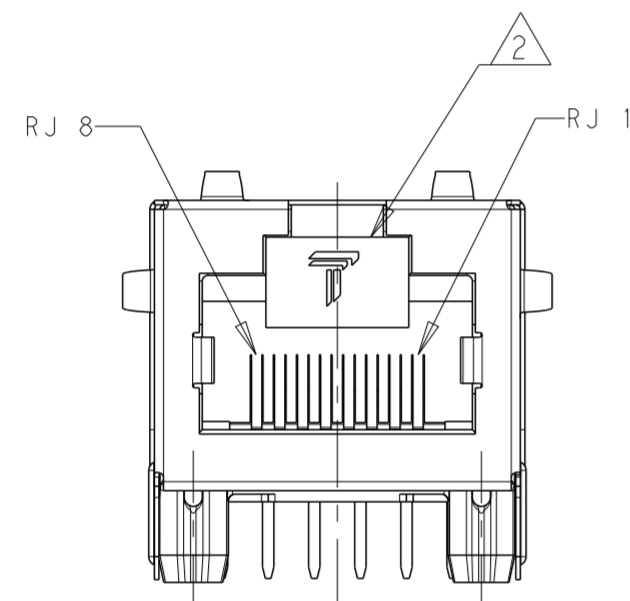
- MAGNETICS
 -APPLICATION: 10/100 BASE-T.
 -IMPEDANCE: 100 OHMS
 -TURNS RATIO (CHIP:CABLE): TX = 1:1, RX = 1:1
 -OPEN CIRCUIT INDUCTANCE (OCL): 350uH MIN @100kHz, 0.1VRMS,
 8mADC BIAS FROM 0°C TO 70°C, TX AND RX
 -PERFORMANCE @ 25°C:
 INSERTION LOSS (IL): 1.1dB MAX FROM 0.5MHz TO 100MHz
 RETURN LOSS (RL): 18dB MIN FROM 0.5MHz TO 30MHz
 18-20LOG(f/30)dB MIN FROM 30.1MHz TO 60MHz
 12dB MIN FROM 60.1MHz TO 80MHz
 CROSSTALK ATTENUATION: 35dB MIN FROM 0.5MHz TO 40MHz
 33-20LOG(f/50)dB MIN FROM 40.1MHz TO 100MHz
 COMMON MODE REJECTION RATIO (CMRR): 30dB MIN FROM 0.5MHz TO 100MHz
 -ISOLATION VOLTAGE: 2250VDC (MAX) FOR 60 SECONDS WITH A RISE TIME
 OF 500V/SEC.

4. OPERATING TEMPERATURE: 0°C TO 70°C

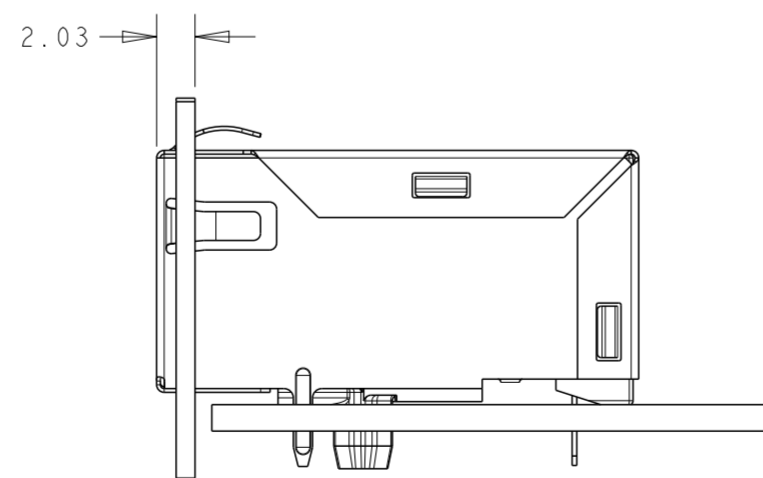
5 THE MAGNETIC CIRCUITS ARE SYMMETRICAL TO SUPPORT AUTO-MDIX OPERATION.

6 TRP LOGO, PART NUMBER, DATE CODE, COUNTRY OF ORIGIN, AGENCY APPROVAL MARKING LOGO LOCATED IN APPROXIMATE AREA AS SHOWN. DATE CODE YY IS YEAR, WW IS WORK WEEK, D IS DAY OF WEEK, WITH SUNDAY=1

7. THE PART IS RECOMMENDED FOR WAVE SOLDERING PROCESS. PREHEAT TEMPERATURE IS 120°C TO 160°C, 120 SECONDS TO 180 SECONDS. PEAK WAVE SOLDERING TEMPERATURE IS 260°C MAX, 10 SECONDS MAX.



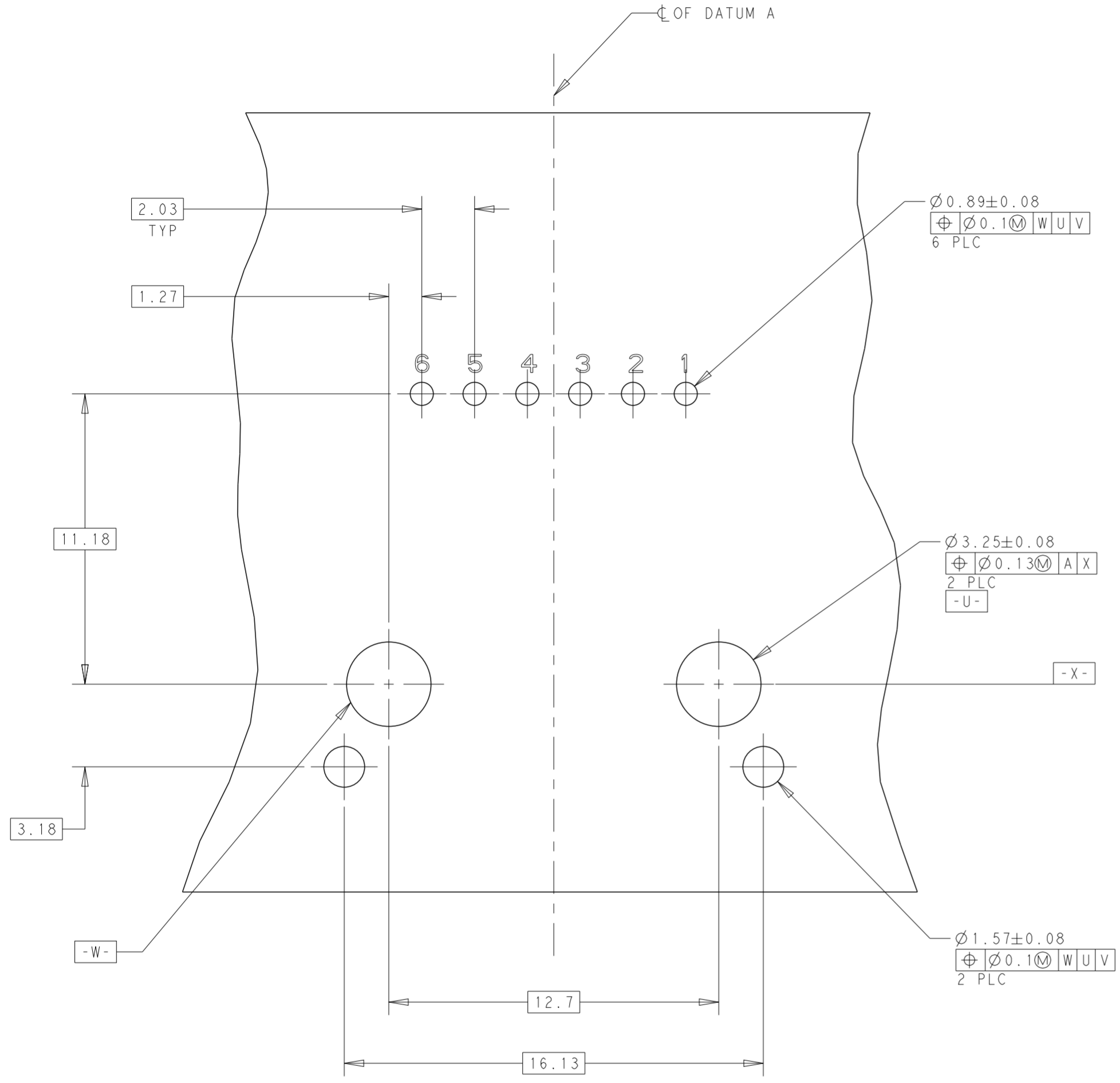
SUGGESTED PANEL CUTOUT



CONNECTOR ASSEMBLED TO PANEL AND PCB

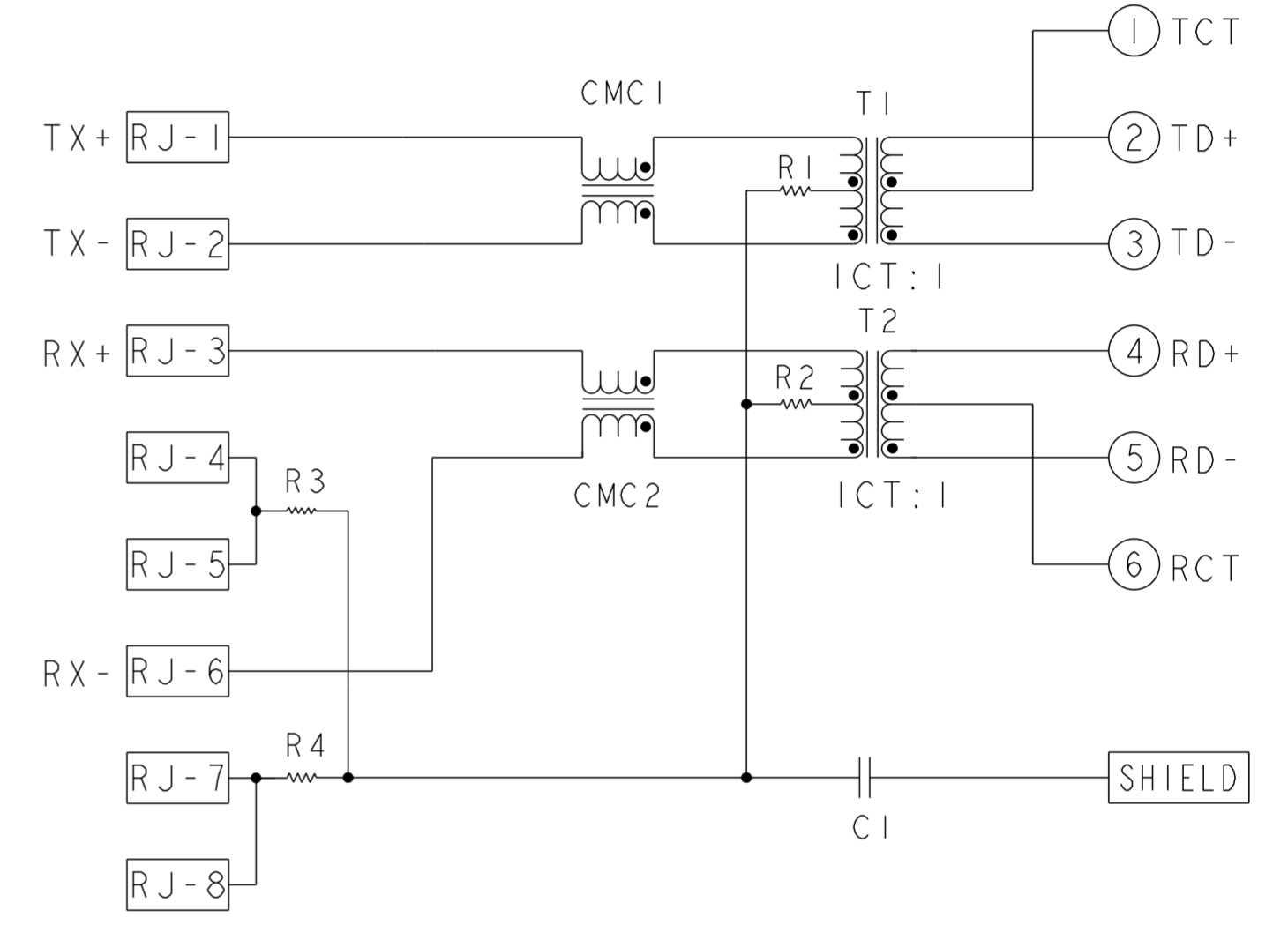
1840872-1
PART NUMBER

THIS DRAWING IS A CONTROLLED DOCUMENT.		DWN TERRY YU 31JAN2010	trp CONNECTOR a bel group DONGGUAN CHINA	
DIMENSIONS: mm		CHK TONY YUAN 31JAN2010		
		APVD KEITH ZHU 31JAN2010		
TOLERANCES UNLESS OTHERWISE SPECIFIED:		MODEL NAME		DESC
0 PLC ±		MAGJACK		IXI 726P12 10/100
1 PLC ±0.25		SINGLE NON-POE		TAB UP W/O LED
2 PLC ±0.25		SIZE		CAGE CODE
3 PLC ±0.25		A2		G-1840872
4 PLC ±		DRAWING NO		RESTRICTED TO
ANGLES ±		CUSTOMER DRAWING		-
APPLICATION SPEC		SCALE		SHEET
108-104004		NTS		1 OF 2
		REV		D


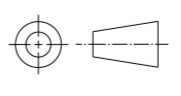


RECOMMENDED PCB LAYOUT
COMPONENT SIDE VIEW
TOLERANCE: ±0.05

726P12 10/100 CIRCUIT ⁵



C1=1000pF, 2kV, DECOUPLING CAP
R1~R4=75Ω, 1/16W, RESISTORS

THIS DRAWING IS A CONTROLLED DOCUMENT.		DWN TERRY YU 31JAN2010	 trp CONNECTOR a bel group	DONGGUAN CHINA		
DIMENSIONS: mm		CHK TONY YUAN 31JAN2010		DESC IXI 726P12 10/100 TAB UP W/O LED		
		APVD KEITH ZHU 31JAN2010				
TOLERANCES UNLESS OTHERWISE SPECIFIED: 0 PLC ± 1 PLC ±0.25 2 PLC ±0.25 3 PLC ±0.25 4 PLC ± ANGLES ± APPLICATION SPEC		MODEL NAME MAGJACK SINGLE NON-POE	SIZE A2	CAGE CODE G-1840872	RESTRICTED TO -	
PRODUCT SPEC 108-104004		CUSTOMER DRAWING		SCALE NTS	SHEET 2 OF 2 REV D	

X-ON Electronics

Largest Supplier of Electrical and Electronic Components

Click to view similar products for [Modular Connectors / Ethernet Connectors](#) category:

Click to view products by [Bel Fuse](#) manufacturer:

Other Similar products are found below :

[8949-H88/06BLKA/SN](#) [74441-0010/BKN](#) [MP1010RX-1000](#) [MP44RX-1000](#) [PHJ-4P4C-1-V-4](#) [PHP-6P6C-5](#) [GAX-3-66](#) [GAX-8-62](#) [GDCX-PA-66-50](#) [GDCX-PN-64](#) [GDCX-PN-66](#) [GDCX-PN-66-50](#) [GDLX-A-66](#) [GDLX-N-66](#) [GDLX-S-66](#) [GDLX-S-88K](#) [GDLX-SMT-S-88](#) [GDTX-S-88-50](#) [GDX-PA-1010](#) [GLX-N-1010M-BLK](#) [GLX-S-88M-BLK](#) [GMX-N-1010](#) [GMX-S-1010](#) [GMX-S-66](#) [GMX-SMT4-N-88](#) [GPX-2-64](#) [GSGX-N-2-88](#) [GSGX-N-4-88](#) [GSX-NS2-88-3.05](#) [GSX-NS2-88-3.05-50](#) [GSX-NS-88-3.05-50](#) [PT-108A-8C-UL](#) [PT-J951-8C](#) [PTS-J531-8CS-50UL](#) [1-1775629-2](#) [A-2014-0-4](#) [GWLX-S-88-GR](#) [GWLX-S9-88-YG](#) [DC-1021-8-WH-6](#) [1300530003](#) [1324640-4](#) [RJ11FTVC2G](#) [RJ11FTVC2N](#) [RJFTVX2SA1G](#) [132764-001](#) [1413235](#) [MP88X-1000](#) [MPS88RX-5000](#) [E5288-S000K3-L](#) [E5908-15A242-L](#)