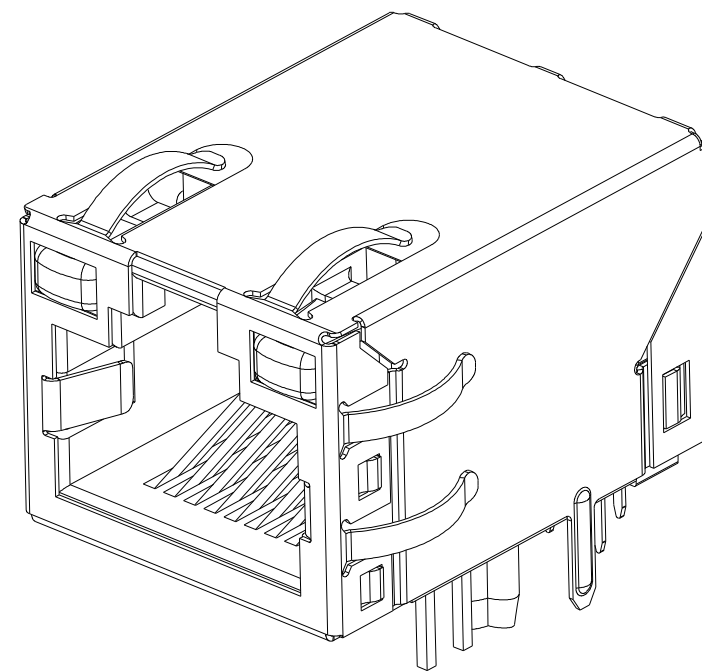
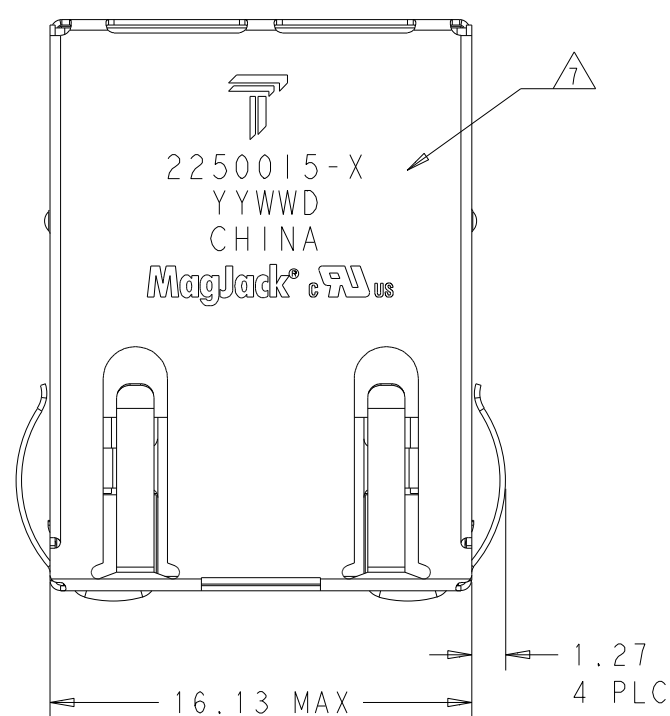


THIS DRAWING AND THE SUBJECT MATTER SHOWN THEREON ARE CONFIDENTIAL AND THE PROPERTY OF BEL/STEWART/TRP CONNECTOR AND SHALL NOT BE REPRODUCED, COPIED, OR USED IN ANY MANNER WITHOUT THE WRITTEN CONSENT OF TRP CONNECTOR.

PRODUCT MAY BE PROTECTED BY ONE OR MORE OF THE FOLLOWING US PATENTS:
 5736910 5939955 6425781 6428361 6554638 6840817 7123117
 7429195 7717749 7808751 6217391 6149050 7924130

REVISIONS				
#	LTN	DESCRIPTION	DATE	OWN APVD
4		EC-1411035 COMPANY LOGO CHANGE	30DEC2014	DP TY



1. MATERIALS

- HOUSING: THERMOPLASTIC, FLAMMABILITY RATING UL 94V-0.
- SHIELD: BRASS 0.20mm THICK, PREPLATED WITH 0.76um MIN SEMI-BRIGHT NICKEL. SOLDER TABS POST DIPPED WITH 2.54um MIN SAC SOLDER.
- CONTACTS: PHOSPHOR BRONZE 0.46mm X 0.30mm, PHOSPHOR BRONZE, 1.27um MIN NICKEL UNDERPLATE, WITH 1.27um MIN GOLD PLATING AT MATING INTERFACE AND 2.54um MIN MATTE TIN ON SOLDER TAILS, OR 1.27um MIN NICKEL UNDERPLATE, WITH 0.05um GOLD PLATING OVER 0.76um MIN PALLADIUM NICKEL PLATING AT MATING INTERFACE AND 2.54um MIN MATTE TIN ON SOLDER TAILS.
- SOLDER TAILS: 0.25mm THICK, PHOSPHOR BRONZE, 1.27um MIN OVERALL NICKEL UNDERPLATE, 3um TIN PLATE
- LIGHT EMITTING DIODE (LED): DIFFUSED EPOXY LENS, 0.5mm X 0.5mm CARBON STEEL WIREFRAME LEADS PREPLATED WITH 2.03um MIN. SILVER PLATE OVER 1.02um MIN. NICKEL OVER 1.02um MIN. COPPER UNDERPLATE; LEADS POST-PLATED WITH 3.05um MIN. MATTE TIN AND/OR SAC SOLDER DIP OR PURE TIN SOLDER DIP

△ RJ45 JACK CAVITY CONFORMS TO FCC RULES AND REGULATIONS PART 68 SUB PART F.

△ MAGNETICS

- APPLICATION: 10/100/1000 BASE-T, EXTENDED TEMPERATURE
- IMPEDANCE: 100 OHMS
- TURNS RATIO (CHIP:CABLE): 1:1 ALL FOUR PAIRS
- OPEN CIRCUIT INDUCTANCE (OCL): 350uH MIN. @100kHz, 0.1VRMS, 8mADC BIAS FROM -40°C TO +85°C, ALL FOUR PAIRS
- ALL FOUR PAIRS BI-DIRECTIONAL
- PERFORMANCE @ 25°C:
 INSERTION LOSS (IL): 1.1dB MAX. FROM 0.5MHz TO 100MHz
 RETURN LOSS (RL): 18dB MIN FROM 0.5MHz TO 40MHz
 12-20LOG(f/80)dB MIN. FROM 40.1MHz TO 100MHz
 CROSSTALK ATTENUATION: 35dB MIN. FROM 0.5MHz TO 40MHz
 33-20LOG(f/50)dB MIN. FROM 40.1MHz TO 100MHz
 COMMON MODE REJECTION RATIO (CMRR): 30dB MIN. FROM 0.5MHz TO 100MHz
- ISOLATION VOLTAGE: 2250VDC FOR 60 SECONDS WITH A RISE TIME OF 500 V/SEC

4. OPERATING TEMPERATURE: FROM -40°C TO +85°C.

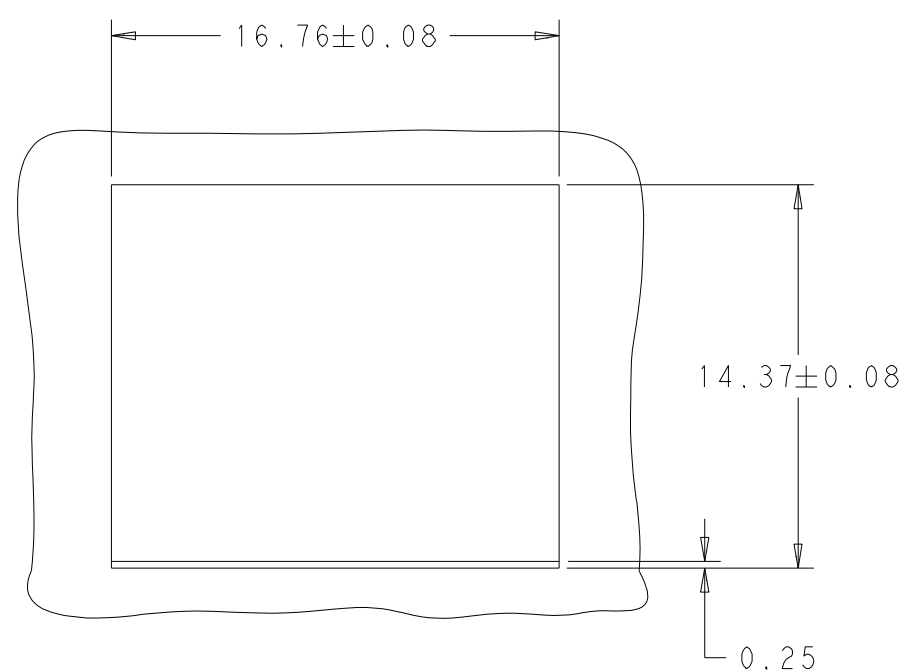
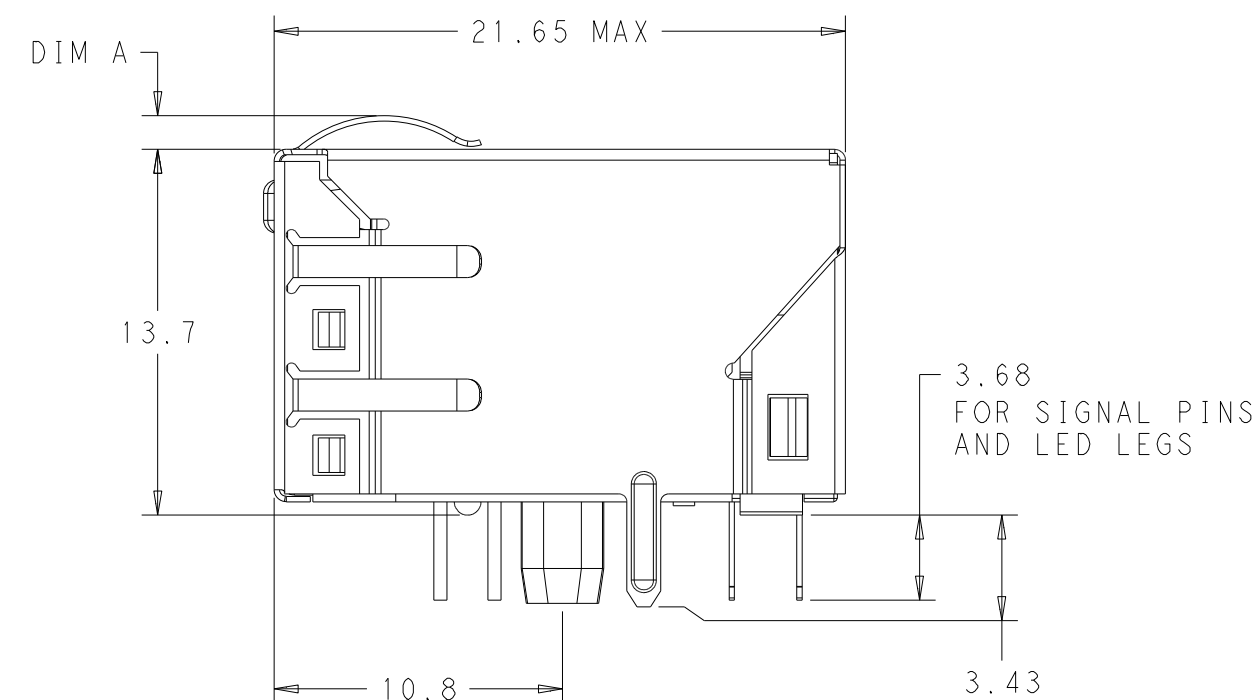
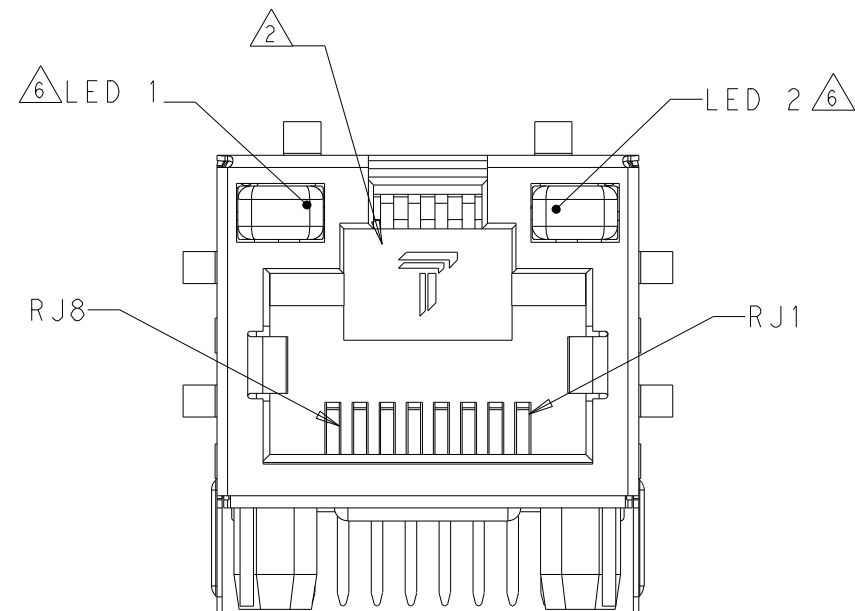
△ INDICATED MAGNETIC CONNECTIONS ARE SYMMETRICAL TO SUPPORT AUTO-MDI/MDIX.

△ LEADS ARE DRIVEN WITH CONSTANT CURRENT AT APPROX 20mA

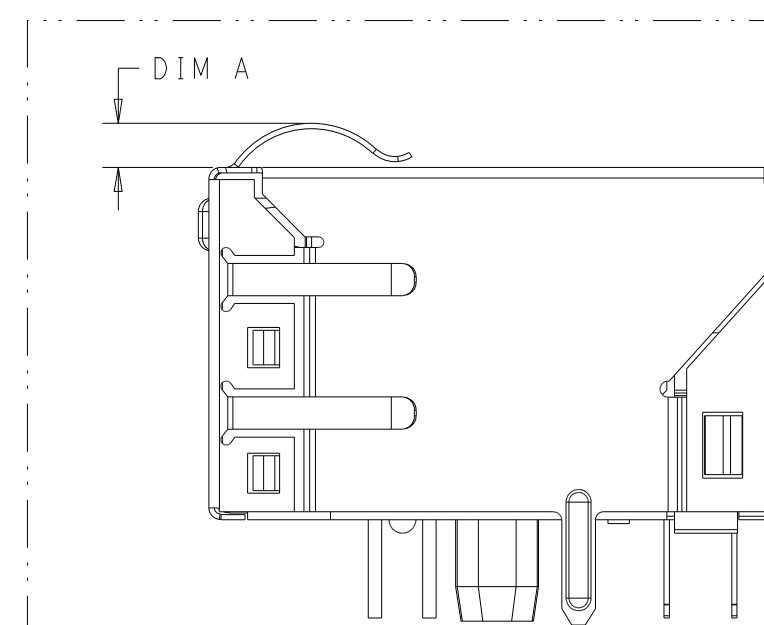
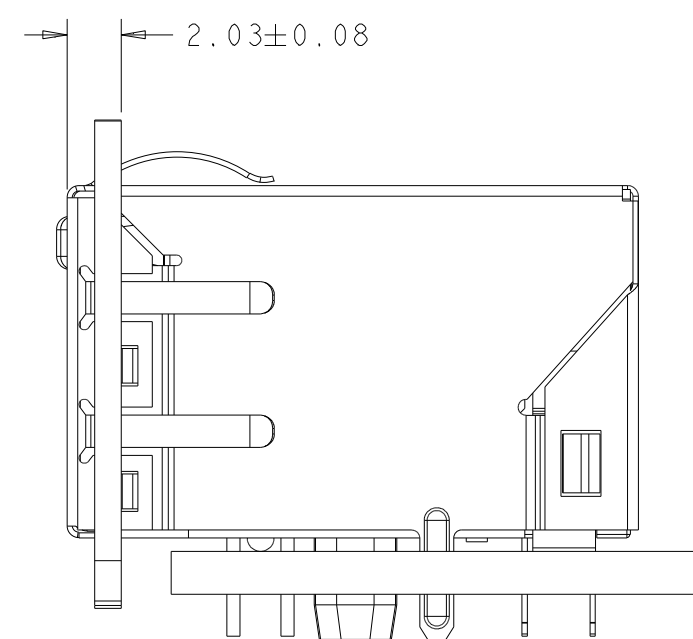
- LED COLOR:
- DOMINATE WAVELENGTH (λD): GREEN 568 nm TYP. AT IF = 20mA
 - FORWARD VOLTAGE (VF): GREEN 2.2V TYP. at IF = 20mA
 - DOMINATE WAVELENGTH (λD): YELLOW 588 nm TYP. AT IF = 20mA
 - FORWARD VOLTAGE (VF): YELLOW 2.1V TYP. at IF = 20mA
 - DOMINATE WAVELENGTH (λD): ORANGE 605 nm TYP. AT IF = 20mA
 - FORWARD VOLTAGE (VF): ORANGE 2.1V TYP. at IF = 20mA

△ TRP CONNECTOR LOGO, PART NUMBER, DATE CODE, COUNTRY OF ORIGIN AND AGENCY APPROVAL MARKING IN APPROXIMATE LOCATION SHOWN. DATE CODE: YYWWD WHERE YY IS YEAR. WW IS WORK WEEK. D IS DAY OF WEEK, WITH SUNDAY=1.

8. PART SHOULD BE RECOMMENDED FOR WAVE SOLDERING PROCESS, PREHEAT TEMPERATURE IS 120°C TO 160°C, 120 SECONDS TO 180 SECONDS, PEAK WAVE SOLDERING TEMPERATURE IS 260°C MAX, 10 SECONDS MAX.



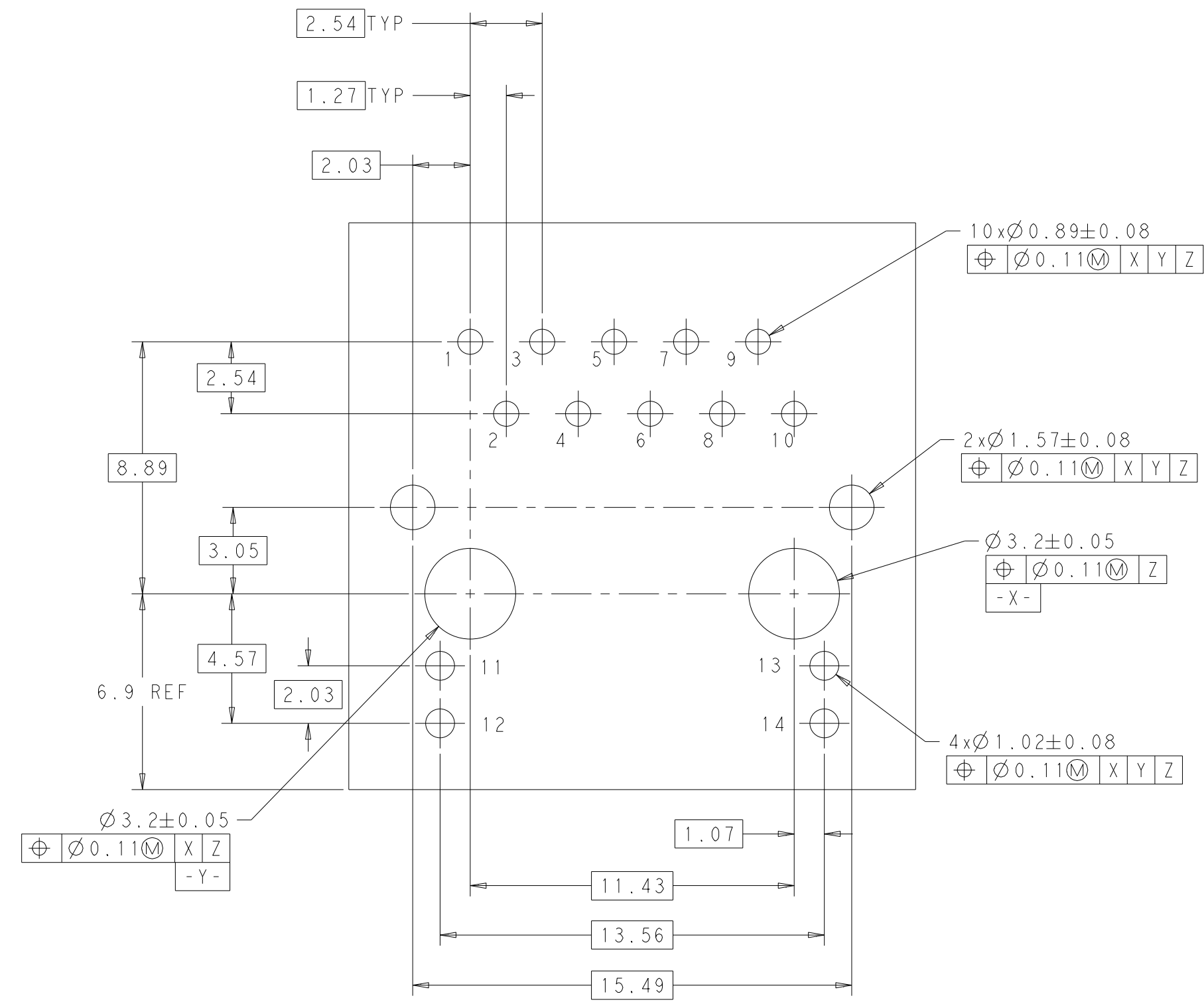
SUGGESTED CUT PANEL AND PCB



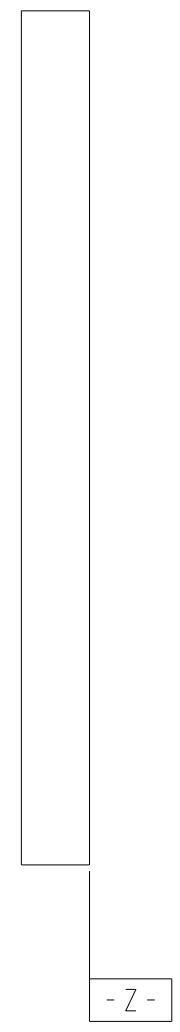
2250015-5 SHOWN

1.65	GREEN	YELLOW	GREEN	-	2250015-5
1.27	GREEN	YELLOW	GREEN	YELLOW	2250015-4
1.27	GREEN	ORANGE	YELLOW	-	2250015-3
1.27	GREEN	YELLOW	GREEN	-	2250015-2
1.27	GREEN	-	GREEN	-	2250015-1
DIM A	11 → 12	12 → 11	13 → 14	14 → 13	PART NUMBER
	LED 1		LED 2		

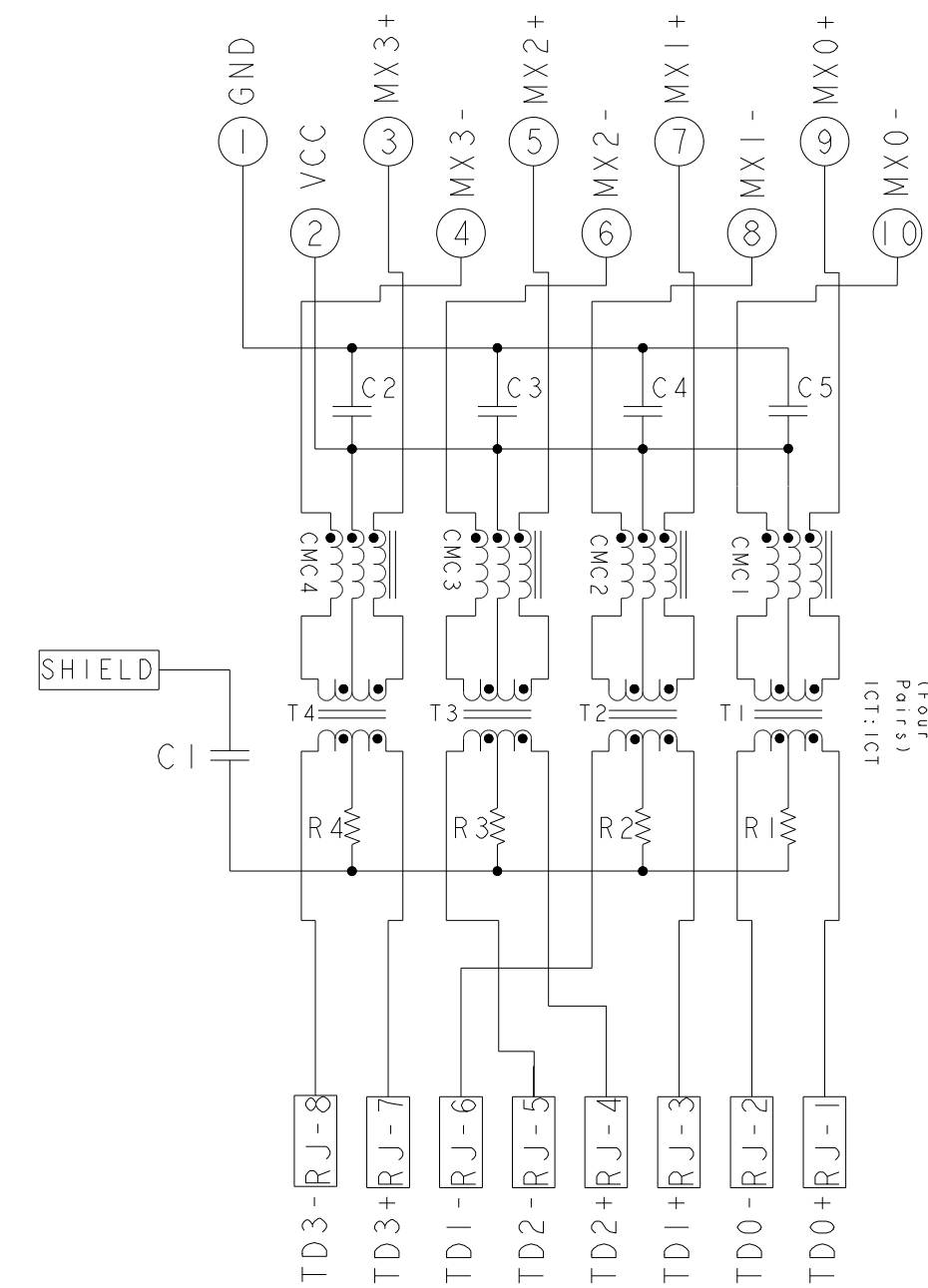
THIS DRAWING IS A CONTROLLED DOCUMENT.		OWN ROY LIU 13MAY2013	DONGGUAN CHINA	
DIMENSIONS: mm		CHK TOWER YU / FRANK LIU 13MAY2013	trp CONNECTOR a bel group	
TOLERANCES UNLESS OTHERWISE SPECIFIED:		APVD TONY YUAN 13MAY2013	MODEL NAME DESC MAGJACK 1X1 7G140ET GIGABIT TAB UP W/ LED	
0 PLC ±0.25 1 PLC ±0.25 2 PLC ±0.25 3 PLC ±0.25 4 PLC ±		PRODUCT SPEC	SIZE A1	RESTRICTED TO
ANGLES		APPLICATION SPEC	SCALE 4:1	SHEET 1 OF 3
CUSTOMER DRAWING		DRAWING NO C=2250015		REV 4



SUGGESTED CUSTOMER BOARD LAYOUT
 (COMPONENT SIDE)



7G140ET GIGABIT CIRCUIT




C1=1000pF, 2KV, CAPACITOR
 C2 - C5 : 0.1uF, CAPACITORS
 R1 - R4 : 75 Ohms, RESISTORS

THIS DRAWING IS A CONTROLLED DOCUMENT.		DWN: ROY LIU 13MAY2013 CHK: TOWER YU/ FRANK LIU 13MAY2013 APD: TONY YUAN 13MAY2013	DONGGUAN CHINA
DIMENSIONS: mm TOLERANCES UNLESS OTHERWISE SPECIFIED: 0 PLC ±0.25 1 PLC ±0.25 2 PLC ±0.25 3 PLC ±0.25 4 PLC ±0.25 ANGLES ±°	MODEL NAME: MAGJACK PRODUCT SPEC: SINGLE NON-POE	DESC: 1X1 7G140ET GIGABIT TAB UP W/ LED SIZE: A1 CAGE CODE: C=2250015 DRAWING NO: 2250015	

C_2250015					STOCK DISPOSITION			
REVISION HISTORY					A: CONTINUE AS IS		D: USE OLD FIRST	
					B: REWORK		E: PARTS TO CONFORM	
					C: SCRAP		F: OTHER	
DATE	REV	CHANGES	REASON	APPROVAL	INVENTORY (A,B,C,D,E,F)	WORK IN PROCESS (A,B,C,F)	SUPPLIER ORDERS (A,E,F)	OPEN CUST ORDERS (A,E,F)
13MAY2013	1	-	INITIAL RELEASE	TONY YUAN	-	-	-	-
04AUG2014	2	ADD DASH NUMBER 2250015-4 & 2250015-5	MARKET REQUIREMENT	TONY YUAN	-	-	-	-
28AUG2014	3	SHEET 1, A4: CHANGE TOP FINGERS SHAPE, AND CHAGNE HEIGTH FROM 1.50 TO 1.65	PRODUCT IMPROVEMENT	TONY YUAN	-	-	-	-
30DEC2014	4	EC-1411035 COMPANY LOGO CHANGE	MARKET REQUEST	TONY YUAN	-	-	-	-

THIS DRAWING IS A CONTROLLED DOCUMENT.

DRW	ROY LIU	13MAY2013	 TRP CONNECTOR a bel group DONGGUAN CHINA	
CHK	TOWER YU/ FRANK LIU	13MAY2013		
APVD	TONY YUAN	13MAY2013		
MODEL NAME	MAGJACK			
DESC	IXI 7G140ET GIGABIT TAB UP W/ LED			
SIZE	A1	CAGE CODE	DRAWING NO	RESTRICTED TO
PRODUCT SPEC	SINGLE NON-POE	SCALE	4:1	SHEET 3 OF 3
APPLICATION SPEC	C=2250015	REV	4	
CUSTOMER DRAWING				

X-ON Electronics

Largest Supplier of Electrical and Electronic Components

Click to view similar products for [Modular Connectors / Ethernet Connectors](#) category:

Click to view products by [Bel Fuse](#) manufacturer:

Other Similar products are found below :

[8949-H88/06BLKA/SN](#) [74441-0010/BKN](#) [MP1010RX-1000](#) [MP44RX-1000](#) [PHJ-4P4C-1-V-4](#) [PHP-6P6C-5](#) [GAX-3-66](#) [GAX-8-62](#) [GDCX-PA-66-50](#) [GDCX-PN-64](#) [GDCX-PN-66](#) [GDCX-PN-66-50](#) [GDLX-A-66](#) [GDLX-N-66](#) [GDLX-S-66](#) [GDLX-S-88K](#) [GDLX-SMT-S-88](#) [GDTX-S-88-50](#) [GDX-PA-1010](#) [GLX-N-1010M-BLK](#) [GLX-S-88M-BLK](#) [GMX-N-1010](#) [GMX-S-1010](#) [GMX-S-66](#) [GMX-SMT4-N-88](#) [GPX-2-64](#) [GSGX-N-2-88](#) [GSGX-N-4-88](#) [GSX-NS2-88-3.05](#) [GSX-NS2-88-3.05-50](#) [GSX-NS-88-3.05-50](#) [PT-108A-8C-UL](#) [PT-J951-8C](#) [PTS-J531-8CS-50UL](#) [1-1775629-2](#) [A-2014-0-4](#) [GWLX-S-88-GR](#) [GWLX-S9-88-YG](#) [DC-1021-8-WH-6](#) [1300530003](#) [1324640-4](#) [RJ11FTVC2G](#) [RJ11FTVC2N](#) [RJFTVX2SA1G](#) [132764-001](#) [1413235](#) [MP88X-1000](#) [MPS88RX-5000](#) [E5288-S000K3-L](#) [E5908-15A242-L](#)