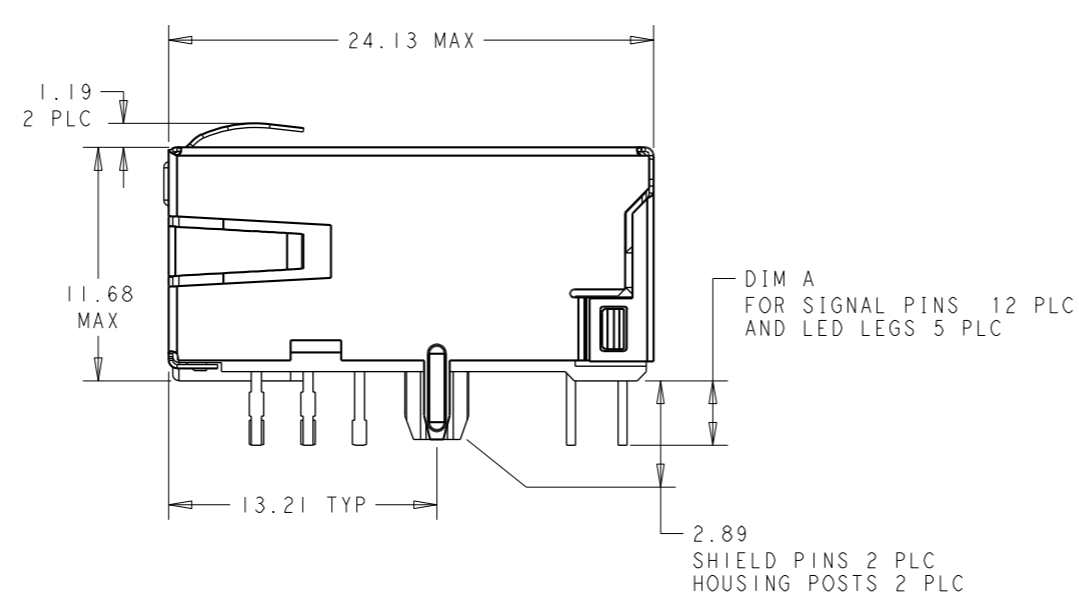
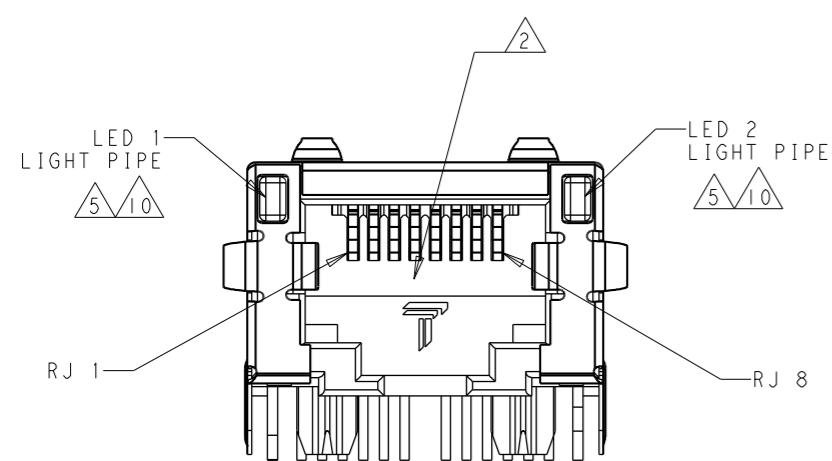
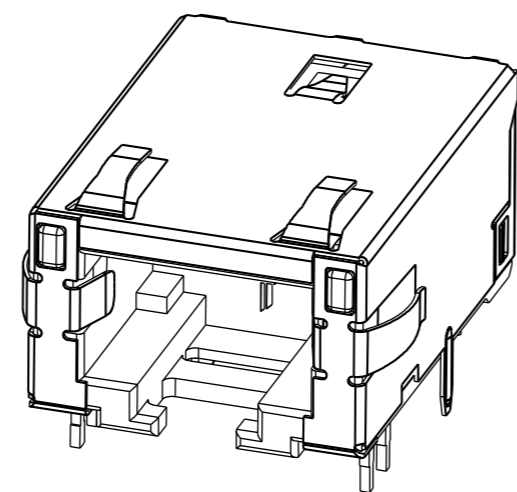
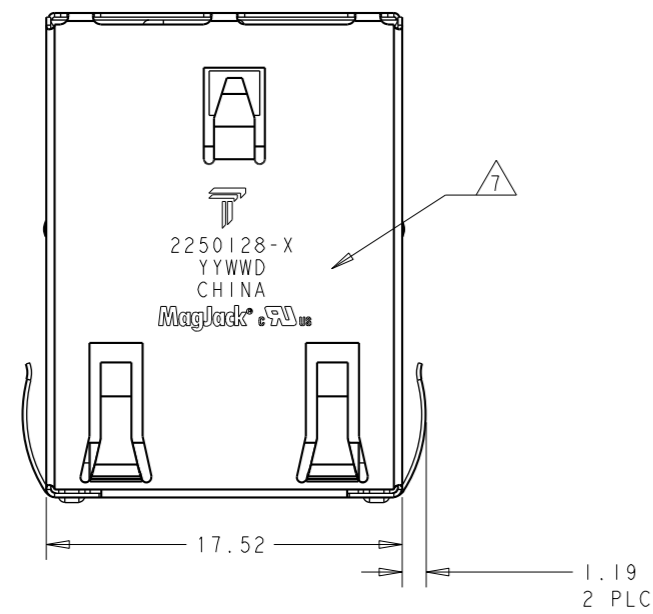


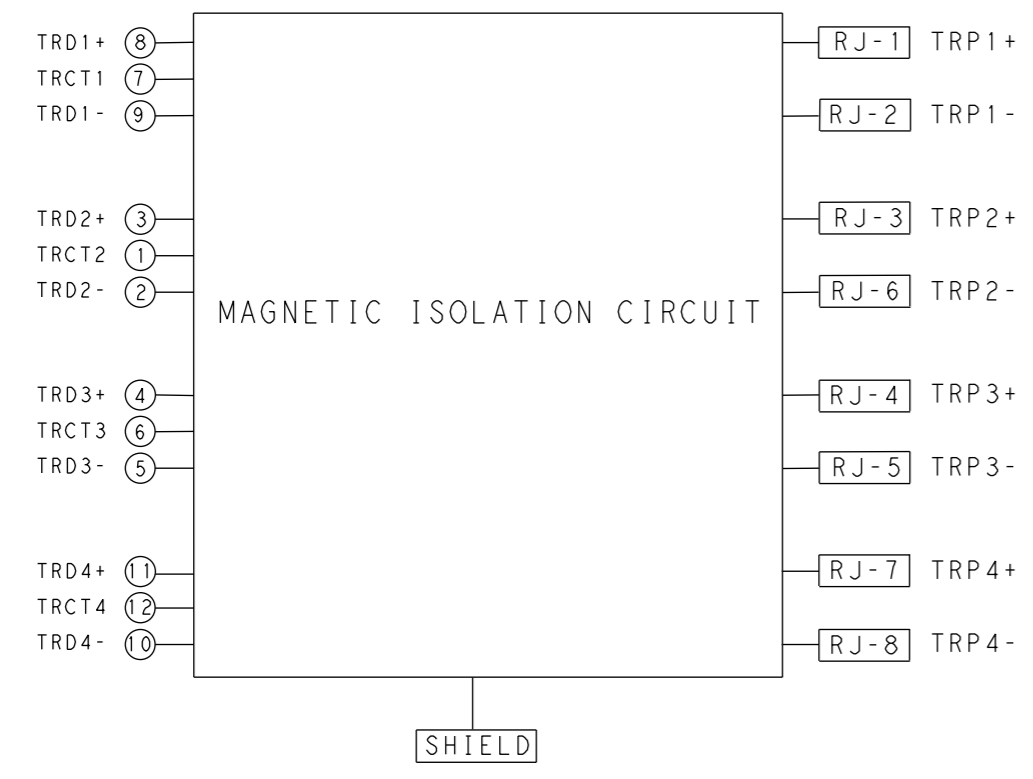
THIS DRAWING AND THE SUBJECT MATTER SHOWN THEREON ARE CONFIDENTIAL AND THE PROPERTY OF BEL/STEWART/TRP CONNECTOR AND SHALL NOT BE REPRODUCED, COPIED, OR USED IN ANY MANNER WITHOUT THE WRITTEN CONSENT OF TRP CONNECTOR.

PRODUCT MAY BE PROTECTED BY ONE OR MORE OF THE FOLLOWING US PATENTS:
 5736910 5939955 6425781 6428361 6554638 6840817 7123117
 7429195 7717749 7808751 6217391 6149050 7924130

REVISIONS				
REV	DATE	DESCRIPTION	BY	APPV
5	27MAY2016	SEE LAST SHEET	JC	TY



1TG08R 10 GIGABIT CIRCUIT



1. MATERIALS:
- HOUSING: HIGH TEMPERATURE NYLON, BLACK, UL 94V-0
 - SHIELD: 0.20mm THICK, BRASS PREPLATED WITH 0.76 um MIN SEMI-BRIGHT NICKEL; POST-DIPPED WITH 2 um MIN TIN
 - CONTACT TAILS: 0.25mm THICK, PHOSPHOR BRONZE, 1.27 um MIN OVERALL NICKEL UNDERPLATE, WITH 1.27 MIN GOLD PLATING AT MATING INTERFACE, 3 um MIN TIN PLATE ON SOLDER TAILS
 - MOD JACK CONTACTS: 0.3mm THICK, PHOSPHOR BRONZE, 1.27 um MIN OVERALL NICKEL UNDERPLATE, WITH 1.27 um MIN LOCALIZED GOLD PLATE AT PLUG INTERFACE
 - LIGHT EMITTING DIODE (LED): DIFFUSED EPOXY LENS, 0.5mm X 0.5mm CARBON STEEL WIREFRAME LEADS PREPLATED WITH 2.03um MIN. SILVER PLATE OVER 1.02um MIN. NICKEL OVER 1.02um MIN. COPPER UNDERPLATE; LEADS POST-PLATED WITH 3.05um MIN. MATTE TIN. DIPPED WITH 2 um MIN TIN
 - LIGHT PIPE: POLYETHER SULFONE

2. RJ45 JACK CAVITY CONFORMS TO FCC RULES AND REGULATIONS PART 68, SUB-PART F.

3. MAGNETICS:
- APPLICATION: 1G/10G BASE-T
 - IMPEDANCE: 100 OHMS
 - TURNS RATIO (CHIP:CABLE): 1:1 ALL FOUR PAIRS
 - OPEN CIRCUIT INDUCTANCE (OCL): 120 uH MIN @ 100kHz, 0.1VRMS, 8mA DC BIAS FROM 0°C TO 70°C, ALL FOUR PAIRS
 - ALL FOUR PAIRS BI-DIRECTIONAL
 - PERFORMANCE @ 25°C: PLEASE REFER TO SEPARATE SHEET
 - ISOLATION VOLTAGE: 2250VDC FOR 60 SECONDS WITH A RISE TIME OF 500V/SEC,

4. OPERATING TEMPERATURE: FROM 0°C TO 70°C

5. LIGHT PIPES ARE USED TO TRANSMIT LIGHT OF LED.
 LEDs ARE DRIVEN WITH CONSTANT CURRENT AT APPROX 20mA.
 LED COLOR: DOMINANT WAVELENGTH (λD): GREEN 568nm TYP. at IF=20mA
 FORWARD VOLTAGE (VF): GREEN 2.2V TYP. at IF=20mA
 DOMINANT WAVELENGTH (λD): YELLOW 588nm TYP. at IF=20mA
 FORWARD VOLTAGE (VF): YELLOW 2.1V TYP. at IF=20mA

6. ALL DIMENSIONS ARE NOMINAL UNLESS OTHERWISE NOTED.

7. TRP CONNECTOR LOGO, PART NUMBER, DATE CODE, COUNTRY OF ORIGIN, AND AGENCY APPROVAL MARKING IN APPROXIMATE LOCATION SHOWN, DATE CODE: YYWWD WHERE YY IS YEAR, WW IS WORK WEEK, D IS DAY OF WEEK, WITH SUNDAY=1.

8. THESE PARTS COMPLIANT TO WAVE SOLDERING PROCESS, PREHEAT TEMPERATURE IS 120°C TO 160°C, 120 SECONDS TO 180 SECONDS, PEAK SOLDERING TEMPERATURE IS 260°C MAX, 10 SECONDS MAX

9. EMI FINGERS IS OPTIONAL

10. LED AND LIGHT PIPES ARE OPTIONAL

2.54	TRAY	WAVE	YES	-	-	-	2250128-5
3.18	TRAY	WAVE	YES	-	-	-	2250128-4
3.18	TRAY	WAVE	YES	-	GREEN	GREEN	2250128-3
3.18	TRAY	WAVE	NO	YELLOW	GREEN	GREEN	2250128-2
3.18	TRAY	WAVE	YES	YELLOW	GREEN	GREEN	2250128-1
DIM A	PACKAGE METHOD	SOLDERING PROCESS	EMI FINGERS	16	15	16	17
				14	13		
				LED 1		LED 2	
				PART NO.			

THIS DRAWING IS A CONTROLLED DOCUMENT AND COMPLIANT TO ASME Y14.5M

APPROVED: TONY YUAN

DATE: 15OCT2014

CHK: TOWER YU / BILL LIU

DATE: 15OCT2014

DRW: ROY LIU

DATE: 15OCT2014

MODEL NAME: MAGJACK SINGLE NON-POE

DESC: 1X1 10G 1TG08R TAB DOWN LOW PROFILE W/ LED

SIZE: A1

CAGE CODE: C=2250128

SCALE: 4:1

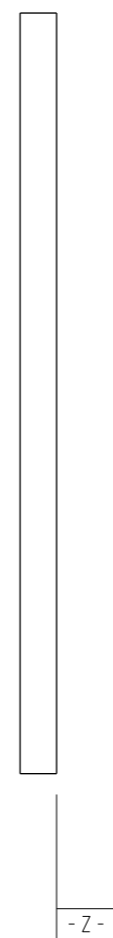
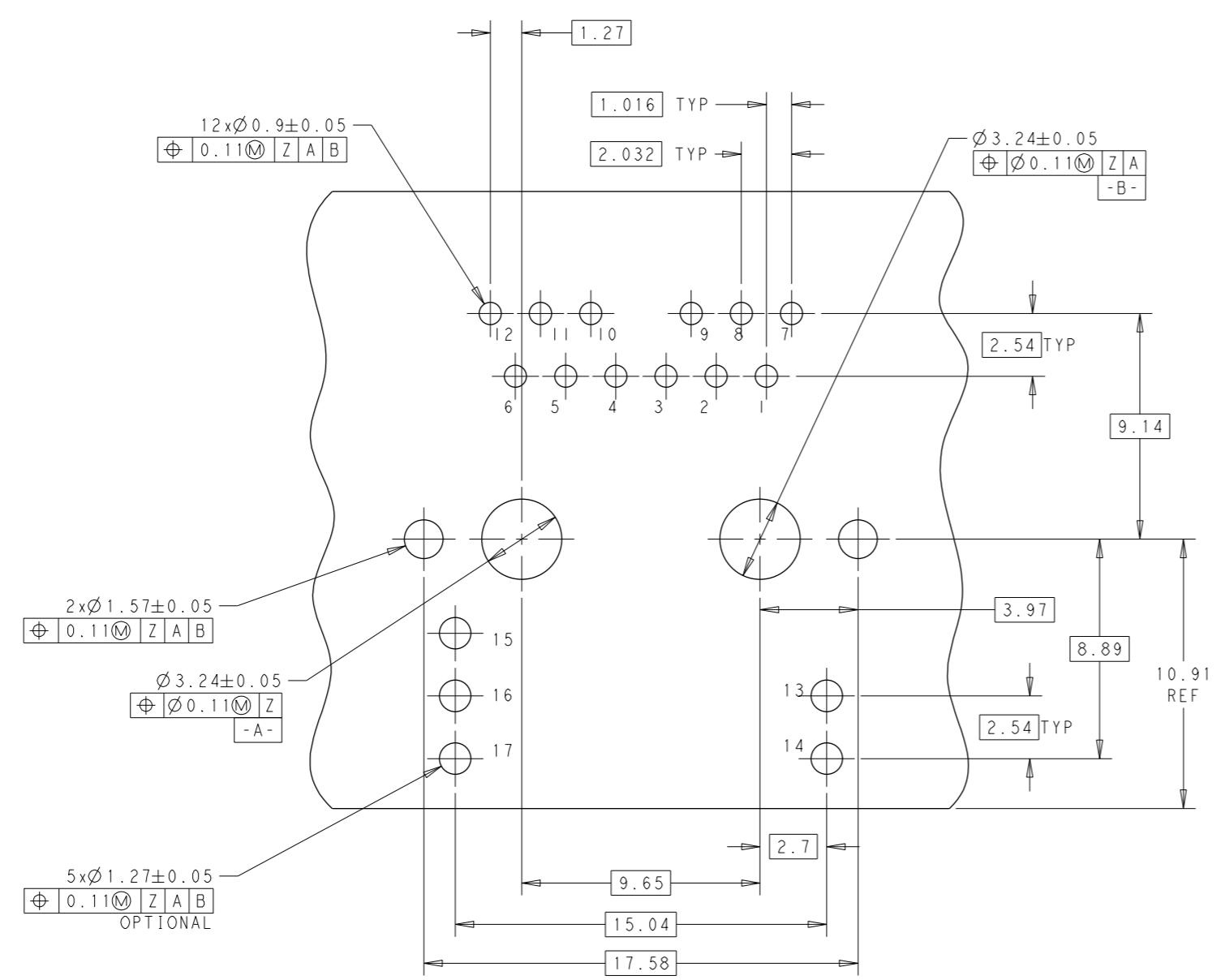
SHEET: 1 OF 3

REV: 5

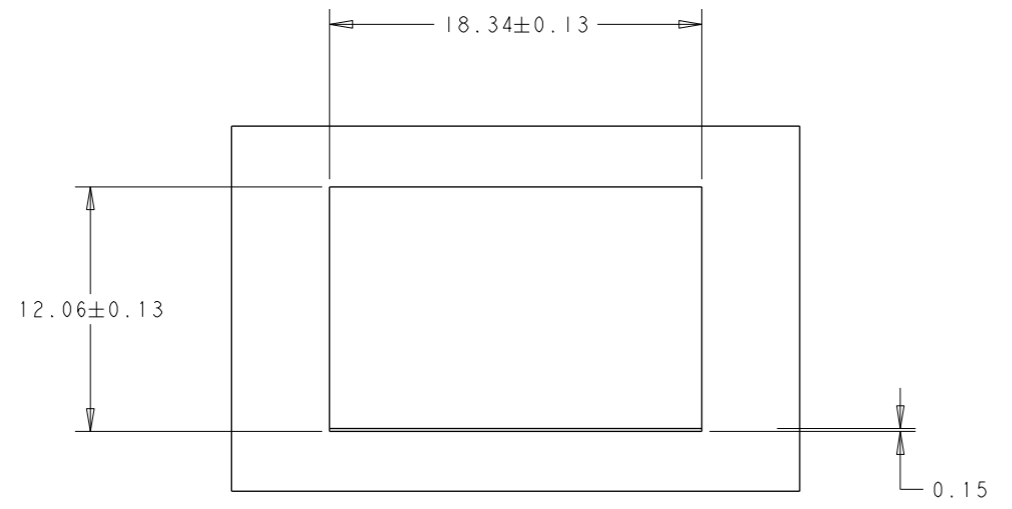
RESTRICTED TO

CUSTOMER DRAWING

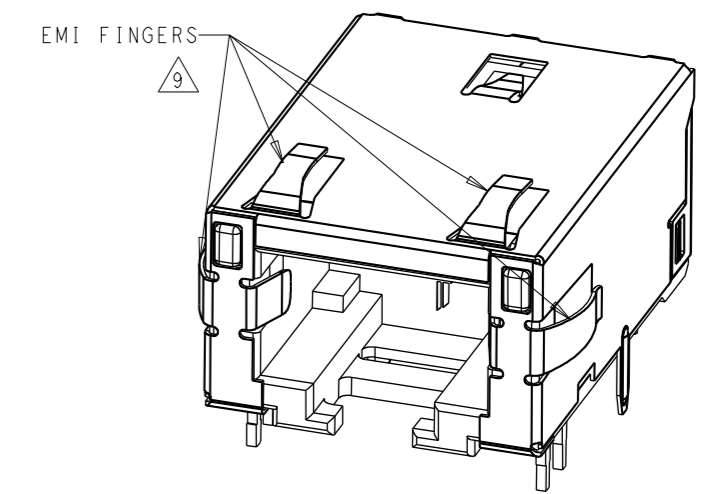
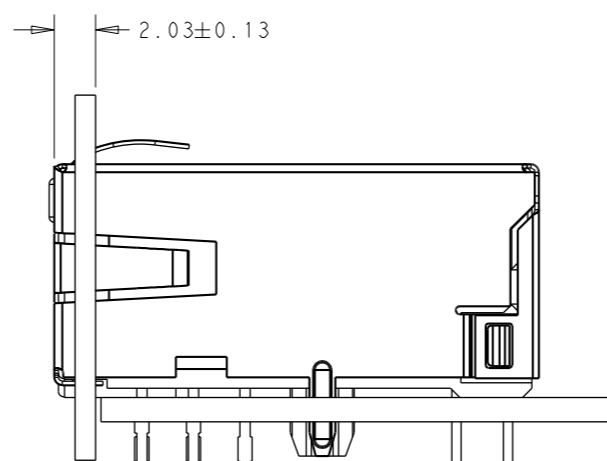
trp CONNECTOR DONGGUAN CHINA



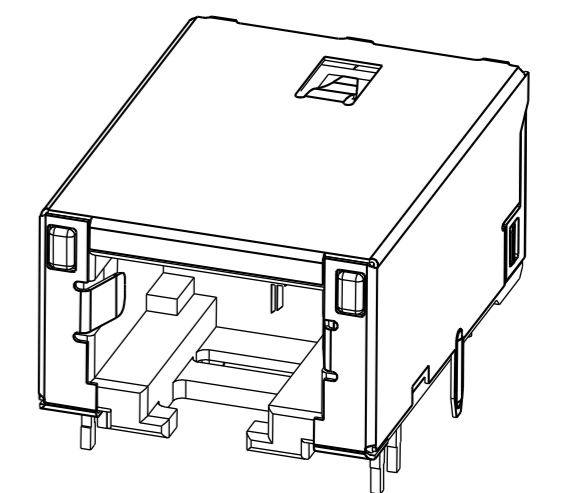
SUGGESTED PCB LAYOUT
(COMPONENT SIDE)



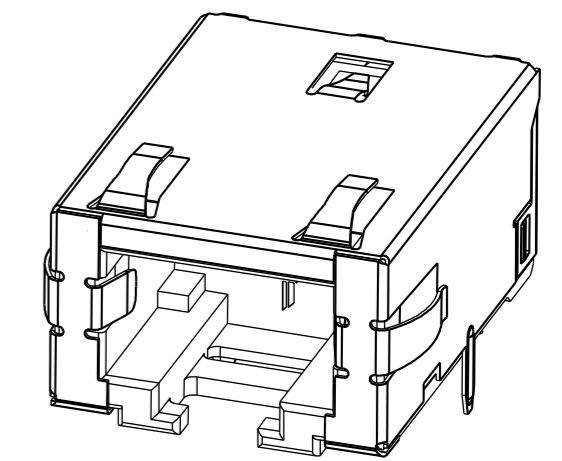
SUGGESTED PANEL CUTOUT



FOR 2250128-1
2250128-3




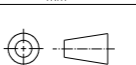
FOR 2250128-2



FOR 2250128-4 & 2250128-5

THIS DRAWING IS A CONTROLLED DOCUMENT. AND COMPLIANT TO ASME Y14.5M		DWN: ROY LIU 15OCT2014 CHK: TOWER YU / BILL LIU 15OCT2014 APPR: TONY YUAN 15OCT2014	DONGGUAN CHINA
DIMENSIONS: mm	TOLERANCES UNLESS OTHERWISE SPECIFIED: 0 PLC ±0.25 1 PLC ±0.25 2 PLC ±0.25 3 PLC ± 4 PLC ± ANGLES ± APPLICATION SPEC	MODEL NAME: MAGJACK DESC: 1X1 10G 1TG08R TAB DOWN LOW PROFILE W/ LED	
PRODUCT SPEC: 108-104004	APPLICATION SPEC: -	CUSTOMER DRAWING	SCALE: 4:1 SHEET: 2 OF 3 REV: 5

2250128_C					STOCK DISPOSITION			
					A: CONTINUE AS IS		D: USE OLD FIRST	
					B: REWORK		E: PARTS TO CONFORM	
					C: SCRAP		F: OTHER	
REVISION HISTORY								
DATE	REV	CHANGES	REASON	APPROVAL	INVENTORY (A,B,C,D,E,F)	WORK IN PROCESS (A,B,C,F)	SUPPLIER ORDERS (A,E,F)	OPEN CUST ORDERS (A,E,F)
15OCT2014	1	INITIAL RELEASE	-	TY	-	-	-	-
09FEB2015	2	1. CHANGE CIRCUIT SCHEMETICS FROM ITG08C TO ITG08R 2. CHANGE LOGO	DESIGN OPTIMIZATION	TY	-	-	-	-
10JUN2015	3	ADD DASH NUMBER 2250128-3	MARKET REQUIREMENT	TY	-	-	-	-
25MAR2016	4	ADD DASH NUMBER 2250128-4	MARKET REQUIREMENT	TY	-	-	-	-
27MAY2016	5	ADD DASH NUMBER 2250128-5	MARKET REQUIREMENT	TY	-	-	-	-

THIS DRAWING IS A CONTROLLED DOCUMENT. AND COMPLIANT TO ASME Y14.5M		DWN: ROY LIU 15OCT2014		 trp CONNECTOR <small>a bel group</small>	DONGGUAN CHINA	
DIMENSIONS: mm		CHK: TOWER YU / BILL LIU 15OCT2014			DESC: 1X1 10G ITG08R TAB DOWN LOW PROFILE W/ LED	
TOLERANCES UNLESS OTHERWISE SPECIFIED: 0 PLC ±0.25 1 PLC ±0.25 2 PLC ±0.25 3 PLC ± 4 PLC ± ANGLES ± APPLICATION SPEC -		APPV: TONY YUAN 15OCT2014			RESTRICTED TO	
 PRODUCT SPEC 108-104004		MODEL NAME: MAGJACK SINGLE NON-POE CUSTOMER DRAWING		SIZE: A1 CAGE CODE: C=2250128 SCALE: 4:1		
				SHEET 3 OF 3 REV 5		

X-ON Electronics

Largest Supplier of Electrical and Electronic Components

Click to view similar products for [Modular Connectors / Ethernet Connectors](#) category:

Click to view products by [Bel Fuse](#) manufacturer:

Other Similar products are found below :

[8949-H88/06BLKA/SN](#) [74441-0010/BKN](#) [MP1010RX-1000](#) [MP44RX-1000](#) [PHJ-4P4C-1-V-4](#) [PHP-6P6C-5](#) [GAX-3-66](#) [GAX-8-62](#) [GDCX-PA-66-50](#) [GDCX-PN-64](#) [GDCX-PN-66](#) [GDCX-PN-66-50](#) [GDLX-A-66](#) [GDLX-N-66](#) [GDLX-S-66](#) [GDLX-S-88K](#) [GDLX-SMT-S-88](#) [GDTX-S-88-50](#) [GDX-PA-1010](#) [GLX-N-1010M-BLK](#) [GLX-S-88M-BLK](#) [GMX-N-1010](#) [GMX-S-1010](#) [GMX-S-66](#) [GMX-SMT4-N-88](#) [GPX-2-64](#) [GSGX-N-2-88](#) [GSGX-N-4-88](#) [GSX-NS2-88-3.05](#) [GSX-NS2-88-3.05-50](#) [GSX-NS-88-3.05-50](#) [PT-108A-8C-UL](#) [PT-J951-8C](#) [PTS-J531-8CS-50UL](#) [1-1775629-2](#) [A-2014-0-4](#) [GWLX-S-88-GR](#) [GWLX-S9-88-YG](#) [DC-1021-8-WH-6](#) [1300530003](#) [1324640-4](#) [RJ11FTVC2G](#) [RJ11FTVC2N](#) [RJFTVX2SA1G](#) [132764-001](#) [1413235](#) [MP88X-1000](#) [MPS88RX-5000](#) [E5288-S000K3-L](#) [E5908-15A242-L](#)